

## DIN rail perforated - NS 35/ 7,5 PERF 755MM - 1207640


Please be informed that the data shown in this PDF Document is generated from our Online Catalog. Please find the complete data in the user's documentation. Our General Terms of Use for Downloads are valid (<http://phoenixcontact.com/download>)



DIN rail perforated, Standard profile, width: 35 mm, height: 7.5 mm, acc. to EN 60715, material: Steel, galvanized, passivated with a thick layer, length: 755 mm, color: silver

RoHS

### Key Commercial Data

Packing unit	1 pc
Minimum order quantity	10 pc
GTIN	 4 017918 932640
GTIN	4017918932640
Weight per Piece (excluding packing)	240.000 g
Custom tariff number	72166190
Country of origin	Germany

### Technical data

#### Dimensions

Height	7.5 mm
Length	755 mm
Width	35 mm
Hole width	15.00 mm
Hole height	6.20 mm
Drill hole spacing	25.00 mm

#### General

Material	Steel
Coating	galvanized, passivated with a thick layer
Color	silver

## DIN rail perforated - NS 35/ 7,5 PERF 755MM - 1207640

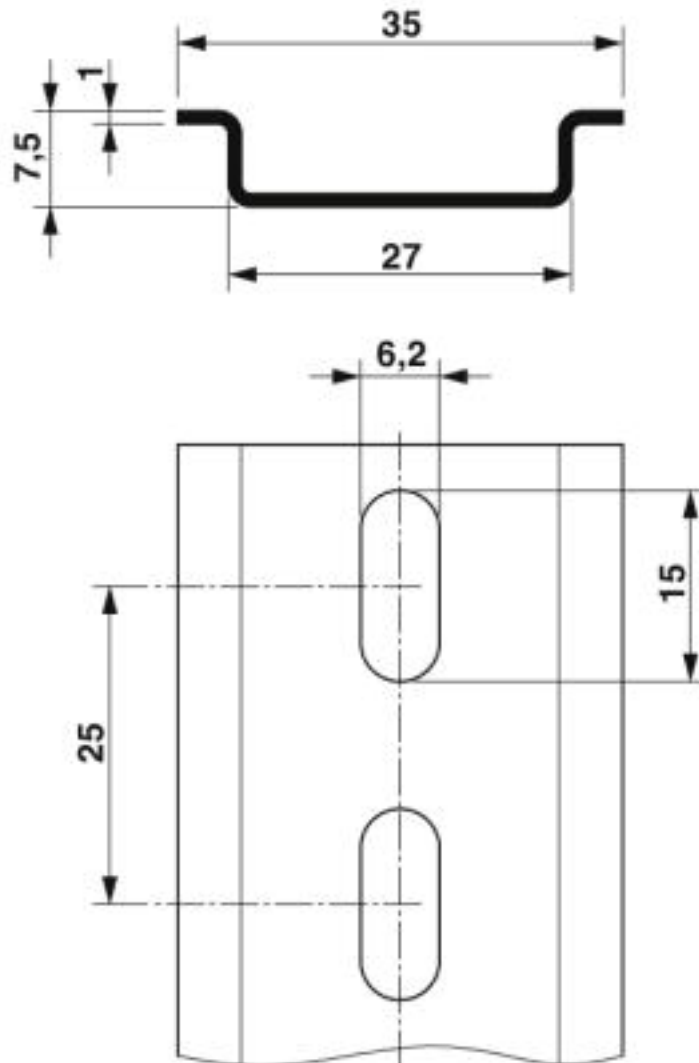
### Technical data

### Standards and Regulations

Test standard	acc. to EN 60715
Connection in acc. with standard	IEC / EN

### Drawings

Dimensional drawing



## DIN rail perforated - NS 35/ 7,5 PERF 755MM - 1207640

### Classifications

#### eCl@ss

eCl@ss 4.0	23150300
eCl@ss 4.1	23150300
eCl@ss 5.0	27141100
eCl@ss 5.1	27141100
eCl@ss 6.0	27400600
eCl@ss 7.0	27400602
eCl@ss 8.0	27400602
eCl@ss 9.0	27400602

#### ETIM

ETIM 2.0	EC001285
ETIM 3.0	EC001285
ETIM 4.0	EC000212
ETIM 5.0	EC000212
ETIM 6.0	EC001285
ETIM 7.0	EC001285

#### UNSPSC

UNSPSC 6.01	30212109
UNSPSC 7.0901	39121708
UNSPSC 11	39121708
UNSPSC 12.01	39121708
UNSPSC 13.2	39121708
UNSPSC 18.0	39121708
UNSPSC 19.0	39121708
UNSPSC 20.0	39121708
UNSPSC 21.0	39121708