

## Thermal device circuit breaker - TCP 6A - 0712275

Please be informed that the data shown in this PDF Document is generated from our Online Catalog. Please find the complete data in the user's documentation. Our General Terms of Use for Downloads are valid (<http://phoenixcontact.com/download>)



Thermal miniature circuit breaker, pluggable in screw-type fuse terminal block UK 6-FSI/C and spring-cage fuse terminal block ST 4-FSI/C

The illustration shows version TCP 2A

### Product Features

- A version with screw or spring-cage connection is used as a basic terminal block
- The reclosable thermal circuit breaker is available in ten nominal current levels ranging from 0.1 to 10 A
- Compact design
- The integrated switching function enables immediate reclosure and therefore ensures the availability of the system



### Key Commercial Data

|                                      |           |
|--------------------------------------|-----------|
| Packing unit                         | 1 pc      |
| Weight per Piece (excluding packing) | 10.84 g   |
| Custom tariff number                 | 85362010  |
| Country of origin                    | Indonesia |

### Technical data

#### General

|  |   |
|--|---|
| Installation instructions              | When mounted in rows, the nominal device current can be limited to just 80% or must be overdimensioned accordingly. |
| Mounting type                          | On base element   |
| Color                                  | black   |
| Number of positions                    | 1   |
| Overvoltage category                   | II  |
| Insulating material                    | PPS   |
| Flammability rating according to UL 94 | V0  |

#### Electrical data

## Thermal device circuit breaker - TCP 6A - 0712275

### Technical data

#### Electrical data

|   |                                     |
|---|-------------------------------------|
| Fuse  | Slow-blow                           |
| Fuse type                                       | Automatic device                    |
| Rated surge voltage                             | 2.5 kV                              |
| Rated voltage                                   | 250 V AC                            |
|   | 65 V DC                             |
|   | 250 V (AC according to UL 1077)     |
|   | 72 V (DC according to UL 1077)      |
| Rated current $I_N$                             | 6 A                                 |
| Insulation resistance $R_{iso}$                 | > 100 M $\Omega$ (500 V DC)         |
| Rated short-circuit switching capacity $I_{cn}$ | 48 A (250 V AC / 65 V DC)           |
|   | 60 A (30 V DC)                      |
| Short-circuit switching capacity $I_k$          | 2000 A 250 V AC / UL 1077           |
|   | 2000 A 72 V DC / UL 1077            |
| Dielectric strength                             | 3000 V AC (Actuation area)          |
|   | 1500 V AC (Installation area)       |
| Switching cycles, max.                          | 6000 (At 1 x $I_n$ , low-induction) |
|   | 3000 (At 1 x $I_n$ , inductive)     |
|   | 500 (At 2 x $I_n$ , inductive)      |
| Degree of pollution                             | 2                                   |
| Overvoltage category                            | II                                  |
| Insulating material group                       | IIIb                                |

#### Dimensions

|                  |         |
|------------------|---------|
| Height           | 24.4 mm |
| Width            | 8.2 mm  |
| Depth            | 44.5 mm |
| Height NS 35/7,5 | 55 mm   |

#### Ambient conditions

|                                 |                       |
|---------------------------------|-----------------------|
| Degree of protection            | IP40 (Actuation area) |
| Ambient temperature (operation) | -20 °C ... 60 °C      |

#### Standards and Regulations

|                          |          |
|--------------------------|----------|
| Standards/specifications | EN 60934 |
|--------------------------|----------|

# Thermal device circuit breaker - TCP 6A - 0712275

## Classifications

### eCl@ss

|            |          |
|------------|----------|
| eCl@ss 4.0 | 27141116 |
| eCl@ss 4.1 | 27141116 |
| eCl@ss 5.0 | 27141116 |
| eCl@ss 5.1 | 27141116 |
| eCl@ss 6.0 | 27141116 |
| eCl@ss 7.0 | 27141116 |
| eCl@ss 8.0 | 27141116 |

### ETIM

|          |          |
|----------|----------|
| ETIM 2.0 | EC000899 |
| ETIM 3.0 | EC000899 |
| ETIM 4.0 | EC000899 |
| ETIM 5.0 | EC000899 |

### UNSPSC

|               |          |
|---------------|----------|
| UNSPSC 6.01   | 30211812 |
| UNSPSC 7.0901 | 39121411 |
| UNSPSC 11     | 39121411 |
| UNSPSC 12.01  | 39121411 |
| UNSPSC 13.2   | 39121411 |

## Approvals

### Approvals

---

#### Approvals

CSA / UL Recognized / VDE Zeichengenehmigung / cUL Recognized / EAC / EAC / cULus Recognized

---

#### Ex Approvals

---

Approvals submitted

---

### Approval details

# Thermal device circuit breaker - TCP 6A - 0712275

## Approvals

|                                |       |
|--------------------------------|-------|
| CSA                            |       |
|                                |       |
| Nominal current I <sub>N</sub> | 6 A   |
| Nominal voltage U <sub>N</sub> | 250 V |

|               |
|---------------|
| UL Recognized |
|---------------|

|                        |
|------------------------|
| VDE Zeichengenehmigung |
|------------------------|

|                |
|----------------|
| cUL Recognized |
|----------------|

|     |
|-----|
| EAC |
|-----|

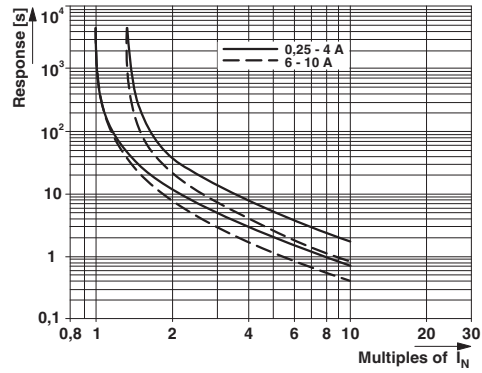
|     |
|-----|
| EAC |
|-----|

|                  |
|------------------|
| cULus Recognized |
|------------------|

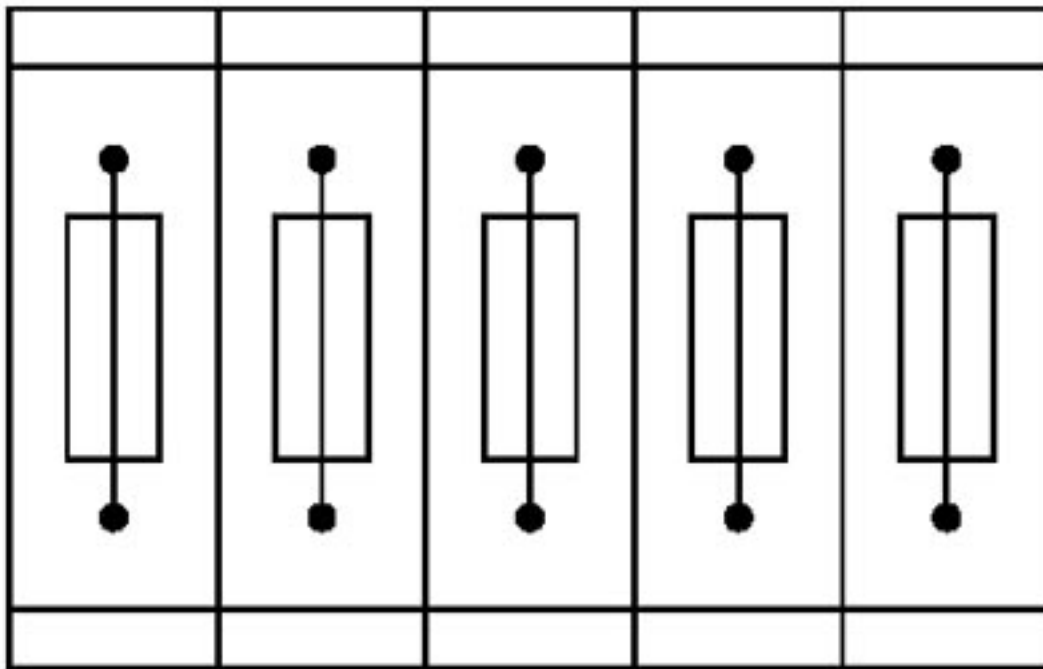
## Drawings

# Thermal device circuit breaker - TCP 6A - 0712275

Diagram



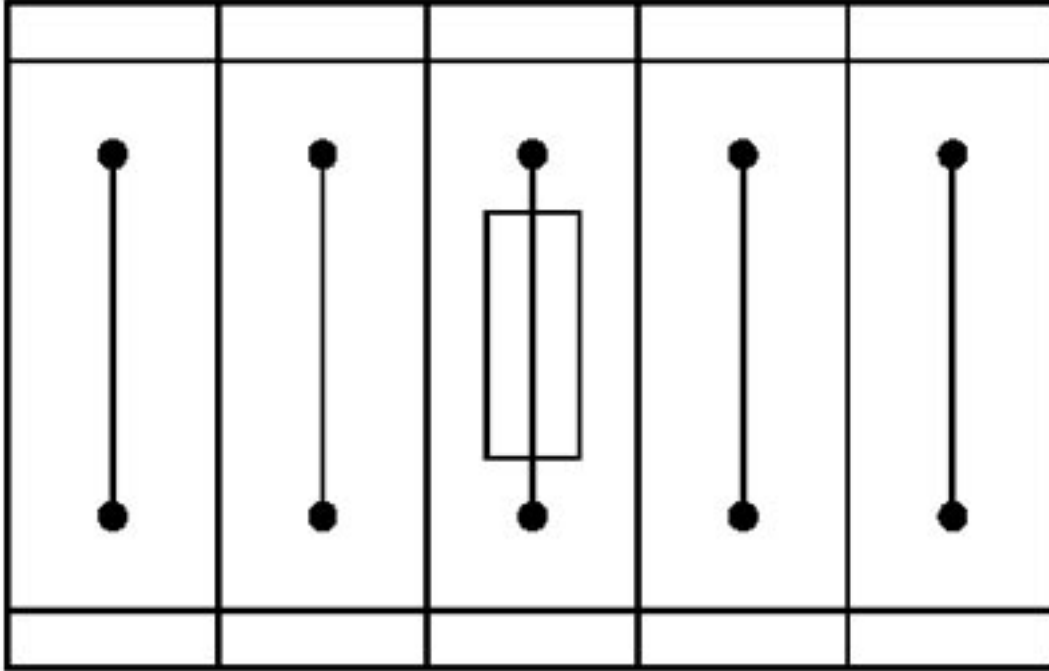
Application drawing



Fuse terminal blocks in interconnected arrangement, block consisting of 5 fuse terminal blocks

# Thermal device circuit breaker - TCP 6A - 0712275

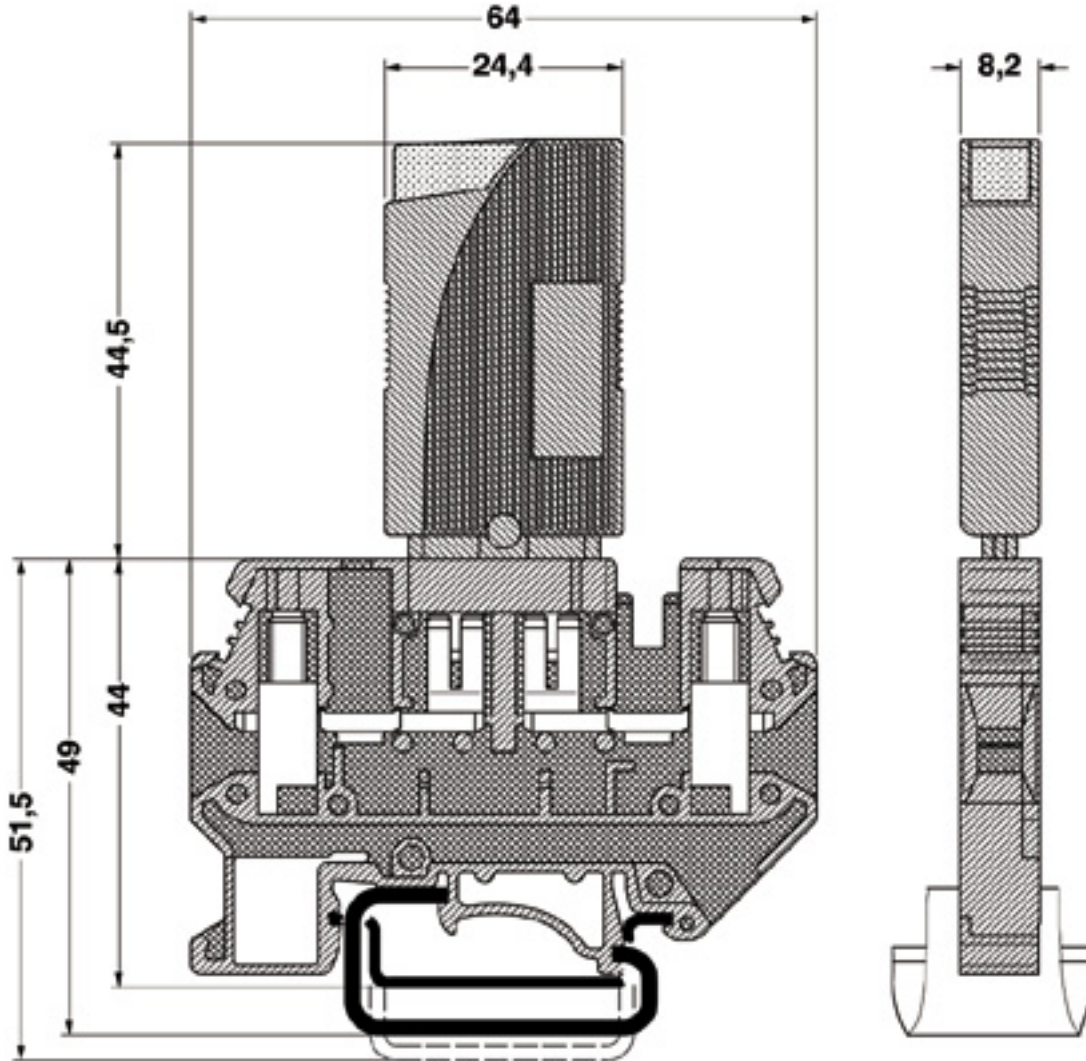
Application drawing



Fuse terminal block in single arrangement,  
block consisting of one fuse terminal block and 4 feed-through terminal blocks

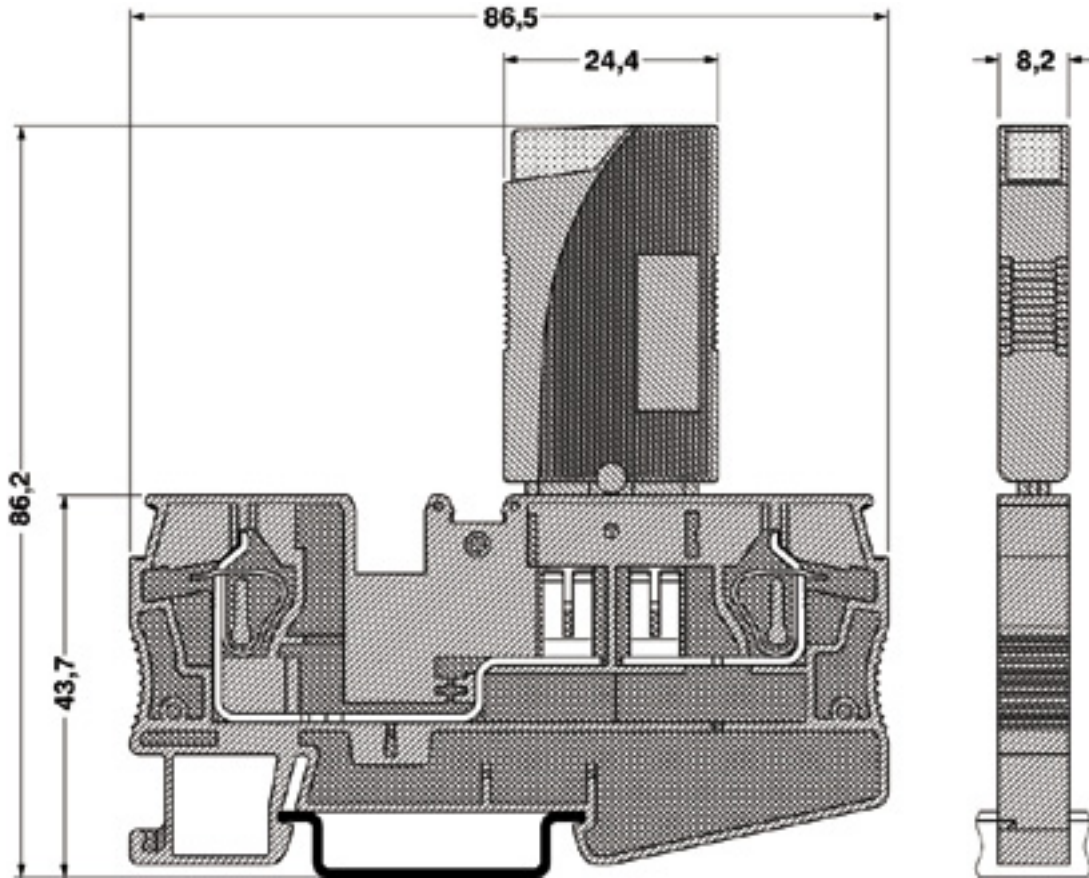
# Thermal device circuit breaker - TCP 6A - 0712275

Dimensional drawing



# Thermal device circuit breaker - TCP 6A - 0712275

Dimensional drawing





# Thermal device circuit breaker - TCP 6A - 0712275

Application drawing

