

## Thermal device circuit breaker - TCP 10/DC32V - 0700010

Please be informed that the data shown in this PDF Document is generated from our Online Catalog. Please find the complete data in the user's documentation. Our General Terms of Use for Downloads are valid (<http://phoenixcontact.com/download>)



Thermal device circuit breaker, Number of positions: 1, Nominal current: 10 A, Nominal voltage: 32 V, Width: 6 mm, Fuse type: Slow-blow, Fuse type: Automatic device, Mounting type: On base element, Color: red

### Product Features

- Compact design with precise nominal current levels
- A version with screw or spring-cage connection is used as a basic terminal block
- In the event of an error, the time-sensitive search for a suitable replacement fuse is eliminated thanks to the reclosure function
- Fits in all fuse holders designed for flat-type fuse inserts according to ISO 8820-3 (DIN 72581-3)
- Plug-in thermal miniature circuit breakers combine the protective mechanism of an auto flat-type fuse with the advantages of a circuit breaker
- The area of application extends to the protection of integrated circuits in all battery and onboard systems with up to 32 V DC



### Key Commercial Data

Packing unit	1 pc
Weight per Piece (excluding packing)	4.184 g
Custom tariff number	85362010
Country of origin	Germany

### Technical data

#### General

Mounting type	On base element
Color	red
Number of positions	1
Insulating material	PA

#### Electrical data

Fuse	Slow-blow
Fuse type	Automatic device
Rated voltage	32 V DC

# Thermal device circuit breaker - TCP 10/DC32V - 0700010

## Technical data

### Electrical data

Rated current $I_N$	10 A
Rated short-circuit switching capacity $I_{cn}$	150 A ( $\geq 3$ switch-offs)
	2000 A ( $\geq 1$ switch-off)
	$\leq 50$ A (300 switch-offs)

### Dimensions

Height	20.3 mm
Width	6 mm
Depth	24 mm

### Ambient conditions

Degree of protection	IP30 (Actuation area)
Ambient temperature (operation)	-40 °C ... 85 °C

## Classifications

### eCl@ss

eCl@ss 4.0	27141116
eCl@ss 4.1	27141116
eCl@ss 5.0	27141116
eCl@ss 5.1	27141116
eCl@ss 6.0	27141116
eCl@ss 7.0	27141116
eCl@ss 8.0	27141116

### ETIM

ETIM 2.0	EC000899
ETIM 3.0	EC000899
ETIM 4.0	EC000899
ETIM 5.0	EC000899

### UNSPSC

UNSPSC 6.01	30211812
UNSPSC 7.0901	39121411
UNSPSC 11	39121411
UNSPSC 12.01	39121411
UNSPSC 13.2	39121411

# Thermal device circuit breaker - TCP 10/DC32V - 0700010

Approvals

Approvals

---

Approvals

EAC / EAC

---

Ex Approvals

---

Approvals submitted

---

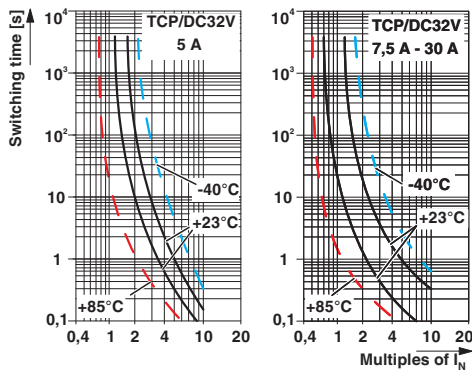
Approval details

EAC

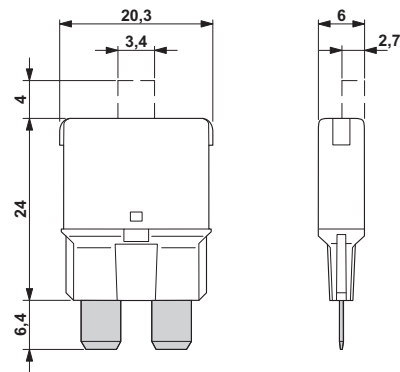
EAC

Drawings

Diagram



Dimensional drawing



# Thermal device circuit breaker - TCP 10/DC32V - 0700010

Application drawing

