

Connection terminal block - AKG 35 BK - 0424039


Please be informed that the data shown in this PDF Document is generated from our Online Catalog. Please find the complete data in the user's documentation. Our General Terms of Use for Downloads are valid (<http://phoenixcontact.com/download>)



Connection terminal block, Connection method Screw connection, Load current : 125 A, Cross section: 2.5 mm² - 35 mm², Width: 14.3 mm, Color: black



Key Commercial Data

Packing unit	1 pc
Minimum order quantity	50 pc
GTIN	 4 017918 002060
Weight per Piece (excluding packing)	19.7 g
Custom tariff number	85369010
Country of origin	Poland

Technical data

General

Color	black
Insulating material	PA
Nominal cross section	35 mm ²
Flammability rating according to UL 94	V2
Maximum load current	125 A (with 35 mm ² conductor cross section)
Connection in acc. with standard	IEC / EN
Nominal current I _N	125 A
Maximum load current	125 A (with 35 mm ² conductor cross section)
Nominal voltage U _N	300 V

Dimensions

Length	27 mm
Width	14.3 mm

Connection terminal block - AKG 35 BK - 0424039

Technical data

Connection data

Conductor cross section solid min.	2.5 mm ²
Conductor cross section solid max.	35 mm ²
Conductor cross section flexible min.	2.5 mm ²
Conductor cross section flexible max.	35 mm ²
Conductor cross section AWG min.	14
Conductor cross section AWG max.	2
Conductor cross section flexible, with ferrule without plastic sleeve min.	2.5 mm ²
Conductor cross section flexible, with ferrule without plastic sleeve max.	35 mm ²
Conductor cross section flexible, with ferrule with plastic sleeve min.	2.5 mm ²
Conductor cross section flexible, with ferrule with plastic sleeve max.	35 mm ²
2 conductors with same cross section, solid min.	1.5 mm ²
2 conductors with same cross section, solid max.	16 mm ²
2 conductors with same cross section, stranded min.	1.5 mm ²
2 conductors with same cross section, stranded max.	16 mm ²
2 conductors with same cross section, stranded, ferrules without plastic sleeve, min.	1.5 mm ²
2 conductors with same cross section, stranded, ferrules without plastic sleeve, max.	16 mm ²
2 conductors with same cross section, stranded, TWIN ferrules with plastic sleeve, min.	1.5 mm ²
2 conductors with same cross section, stranded, TWIN ferrules with plastic sleeve, max.	10 mm ²
Connection method	Screw connection
Stripping length	16 mm
Screw thread	M6
Tightening torque, min	3.2 Nm
Tightening torque max	3.7 Nm

Standards and Regulations

Connection in acc. with standard	CSA
	IEC / EN
Flammability rating according to UL 94	V2

Classifications

eCl@ss

eCl@ss 4.0	27141131
eCl@ss 4.1	27141131
eCl@ss 5.0	27141131

Connection terminal block - AKG 35 BK - 0424039

Classifications

eCl@ss

eCl@ss 5.1	27141131
eCl@ss 6.0	27141120
eCl@ss 7.0	27141120
eCl@ss 8.0	27141146
eCl@ss 9.0	27141120

ETIM

ETIM 2.0	EC000897
ETIM 3.0	EC000897
ETIM 4.0	EC000897
ETIM 5.0	EC000001

UNSPSC

UNSPSC 6.01	30211811
UNSPSC 7.0901	39121410
UNSPSC 11	39121410
UNSPSC 12.01	39121410
UNSPSC 13.2	39121410

Approvals

Approvals

Approvals

CSA / UL Recognized / cUL Recognized / EAC / EAC / cULus Recognized

Ex Approvals

Approvals submitted

Approval details

Connection terminal block - AKG 35 BK - 0424039

Approvals

CSA	
mm ² /AWG/kcmil	18-2
Nominal current I _N	135 A

UL Recognized		
	B	C
mm ² /AWG/kcmil	18-2	18-2
Nominal current I _N	115 A	115 A
Nominal voltage U _N	250 V	300 V

cUL Recognized		
	B	C
mm ² /AWG/kcmil	18-2	18-2
Nominal current I _N	115 A	115 A
Nominal voltage U _N	250 V	300 V

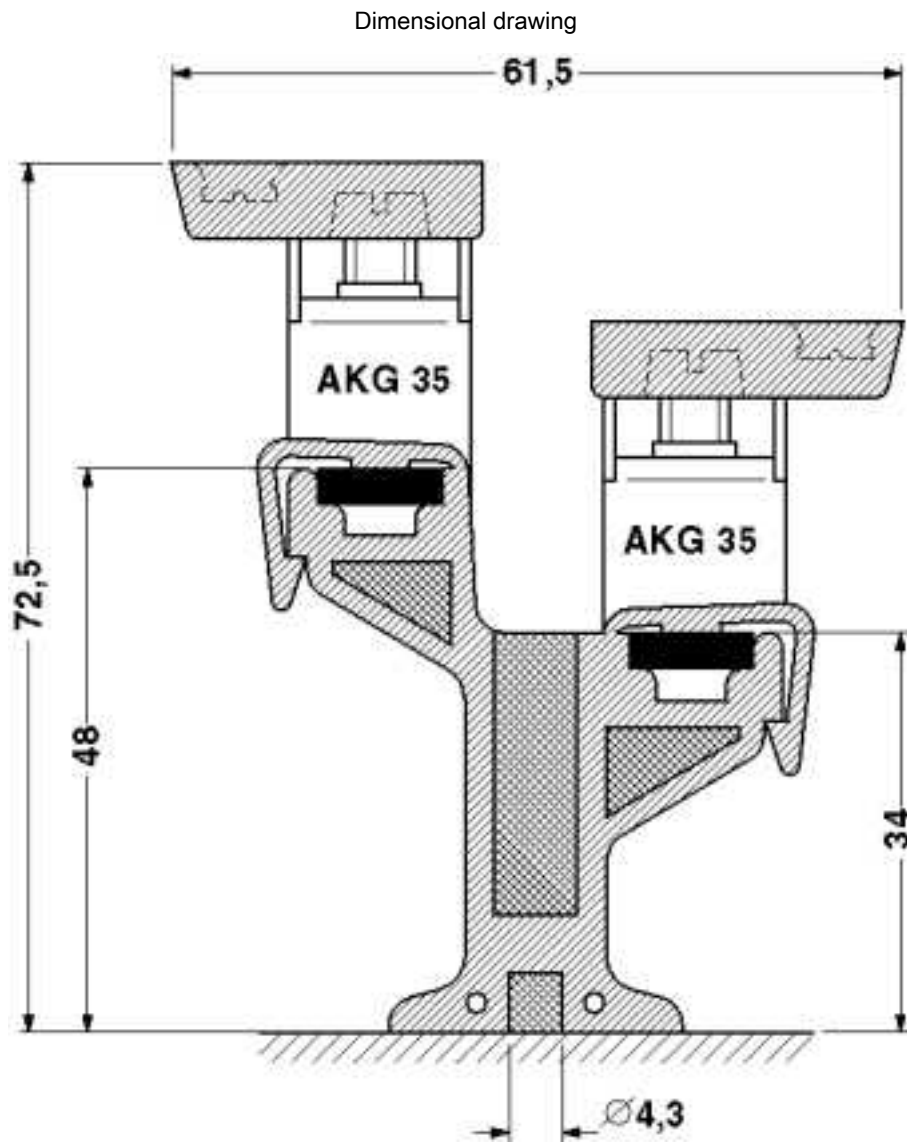
EAC

EAC

cULus Recognized

Drawings

Connection terminal block - AKG 35 BK - 0424039



Connection terminal block - AKG 35 BK - 0424039

Dimensional drawing

