

Connection terminal block - AKG 4 GNYE - 0421029


Please be informed that the data shown in this PDF Document is generated from our Online Catalog. Please find the complete data in the user's documentation. Our General Terms of Use for Downloads are valid (<http://phoenixcontact.com/download>)



Connection terminal block, Connection method Screw connection, Cross section: 0.5 mm² - 6 mm², Width: 7 mm, Color: green-yellow



Key Commercial Data

Packing unit	1 pc
Minimum order quantity	50 pc
GTIN	 4 017918 001926
Weight per Piece (excluding packing)	5.536 g
Custom tariff number	85369010
Country of origin	Germany

Technical data

General

Color	green-yellow
Insulating material	PA
Nominal cross section	4 mm ²
Flammability rating according to UL 94	V2
Nominal current I _N	41 A
Maximum load current	41 A (with 6 mm ² conductor cross section)
Nominal voltage U _N	300 V

Dimensions

Length	23.7 mm
Width	7 mm

Connection data

Connection terminal block - AKG 4 GNYE - 0421029

Technical data

Connection data

Conductor cross section solid min.	0.5 mm ²
Conductor cross section solid max.	6 mm ²
Conductor cross section flexible min.	0.5 mm ²
Conductor cross section flexible max.	4 mm ²
Conductor cross section AWG min.	20
Conductor cross section AWG max.	10
Conductor cross section flexible, with ferrule without plastic sleeve min.	0.5 mm ²
Conductor cross section flexible, with ferrule without plastic sleeve max.	6 mm ²
Conductor cross section flexible, with ferrule with plastic sleeve min.	0.5 mm ²
Conductor cross section flexible, with ferrule with plastic sleeve max.	6 mm ²
2 conductors with same cross section, solid min.	0.5 mm ²
2 conductors with same cross section, solid max.	2.5 mm ²
2 conductors with same cross section, stranded min.	0.5 mm ²
2 conductors with same cross section, stranded max.	2.5 mm ²
2 conductors with same cross section, stranded, ferrules without plastic sleeve, min.	0.5 mm ²
2 conductors with same cross section, stranded, ferrules without plastic sleeve, max.	2.5 mm ²
2 conductors with same cross section, stranded, TWIN ferrules with plastic sleeve, min.	0.5 mm ²
2 conductors with same cross section, stranded, TWIN ferrules with plastic sleeve, max.	2.5 mm ²
Connection method	Screw connection
Stripping length	16 mm
Screw thread	M4
Tightening torque, min	1.5 Nm
Tightening torque max	1.8 Nm

Standards and Regulations

Connection in acc. with standard	CUL
Flammability rating according to UL 94	V2

Classifications

eCl@ss

eCl@ss 4.0	27141131
eCl@ss 4.1	27141131
eCl@ss 5.0	27141131
eCl@ss 5.1	27141131

Connection terminal block - AKG 4 GNYE - 0421029

Classifications

eCl@ss

eCl@ss 6.0	27141120
eCl@ss 7.0	27141120
eCl@ss 8.0	27141146
eCl@ss 9.0	27141120

ETIM

ETIM 2.0	EC000897
ETIM 3.0	EC000897
ETIM 4.0	EC000897
ETIM 5.0	EC000001

UNSPSC

UNSPSC 6.01	30211811
UNSPSC 7.0901	39121410
UNSPSC 11	39121410
UNSPSC 12.01	39121410
UNSPSC 13.2	39121410

Approvals

Approvals

Approvals

UL Recognized / cUL Recognized / EAC / EAC / CSA / cULus Recognized

Ex Approvals


Approvals submitted

Approval details

UL Recognized	
mm ² /AWG/kcmil	22-12


Connection terminal block - AKG 4 GNYE - 0421029


Approvals

cUL Recognized 	
mm ² /AWG/kcmil	22-12

EAC

EAC

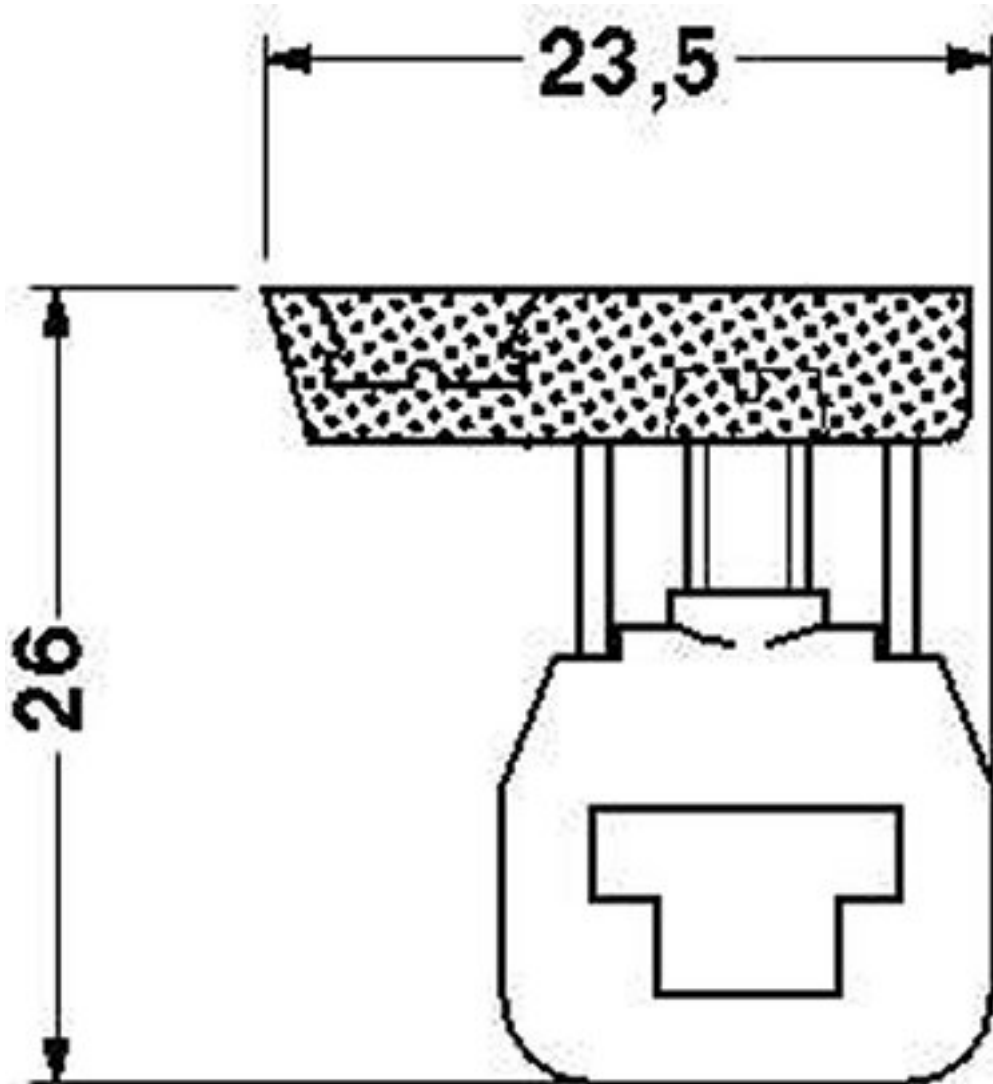
CSA 	
mm ² /AWG/kcmil	22-12
Nominal current I _N	20 A

cULus Recognized 	
--	--

Drawings

Connection terminal block - AKG 4 GNYE - 0421029

Dimensional drawing



Connection terminal block - AKG 4 GNYE - 0421029

Dimensional drawing

