

MATERIAL AND FINISH

Insulator: Thermoplastic, glass filled, black, UL-94V-0 rated.

Contacts (Ground): Brass, Nickel plated
Solder terminals & Contacts (L & N): Brass, Tin plated.

ELECTRICAL SPECIFICATIONS:

Rated current: 10A

Rated voltage: 250VAC



Rated current: 20A

Rated voltage: 250VAC



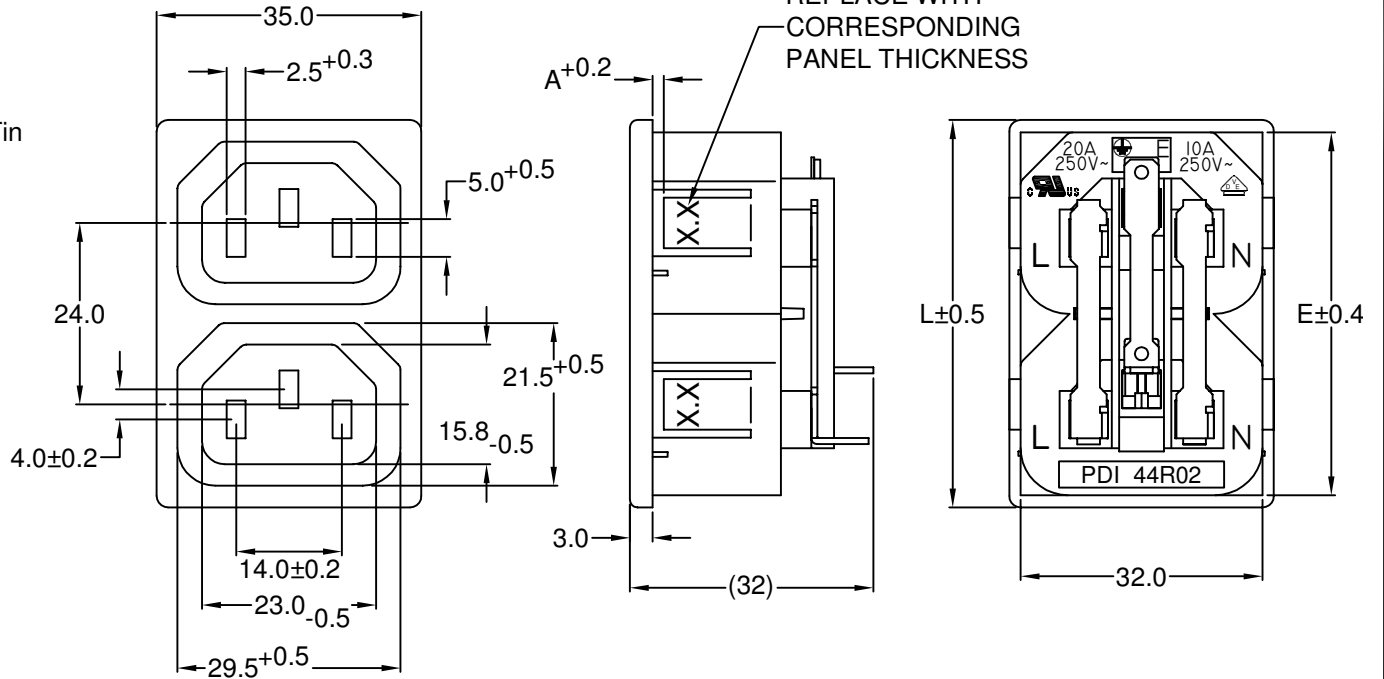
No of Port	L	E	F
2	51.2	48.0	48.3
3	75.4	72.0	72.2
4	99.6	96.0	96.2
5	123.2	120.0	120.3
6	147.2	144.0	144.4
7	171.2	168.0	168.4

ORDERING CODE:

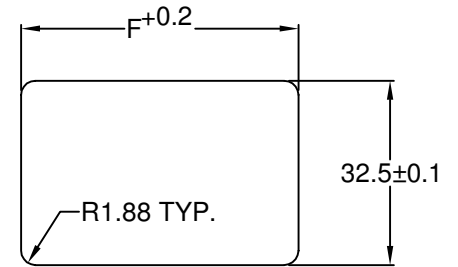
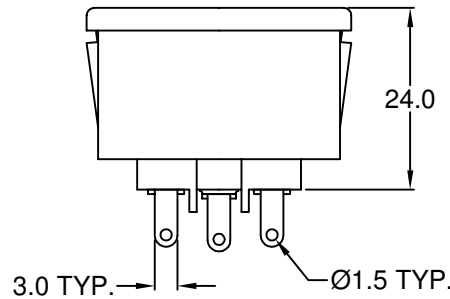
44R02- 111-
 1 2

1) NO OF PORT (SEE CHART ABOVE)

2) PANEL THICKNESS



REPLACE WITH CORRESPONDING PANEL THICKNESS



RECOMMENDED PANEL CUTOUT

REV	DATE	CHANGE	CHNG		CHK		APPR	
			TD	PB	PB	PB		
A	6/2/04	REV'D & UP'D						
B	1/24/05	CHNG. CURRENT RATING						

P/N	A	MAX. PANEL THICKNESS
44R02-X111-150	1.5	1.5
44R02-X111-250	2.5	2.5

ADDITIONAL PANEL THICKNESS AVAILABLE ON REQUEST; CONTACT PDI FOR 7 PORT

TOLERANCE UNLESS OTHERWISE SPECIFIED		
X	±	1
X.X	±	0.4
X.XX	±	0.20

DRAWN BY	GQ	DATE:	10/25/01
CHECK BY	TD	DATE:	11/06/01
APPR BY	PB	DATE:	11/06/01

Power Dynamics, Inc.
Phone: 973 560-0019 Whippany, New Jersey Fax: 973 560-0076

PART: IEC 60320 C13 STRIP APPL. OUTLET; SNAP-IN, SOLDER TERMINAL WITH Ø1.5 HOLE

PART #: **44R02-X111-XXX**


SIZE: A SCALE: NTS ALL DIMENSIONS FOR REFERENCE ONLY DIMENSIONS ARE IN MILLIMETERS


SHEET 1 of 1 REV: B

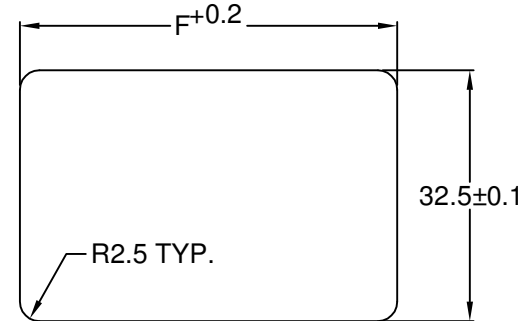
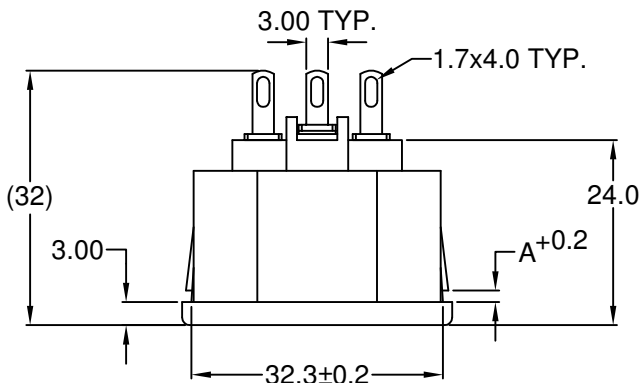
MATERIAL AND FINISH

Insulator: Thermoplastic, glass filled, black, UL-94V-0 rated.
 Contacts (Ground): Brass, Nickel plated
 Solder terminals & Contacts (L & N): Brass, Tin plated.

ELECTRICAL SPECIFICATIONS:

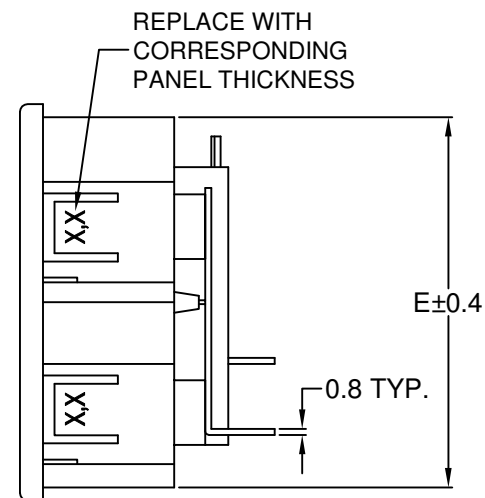
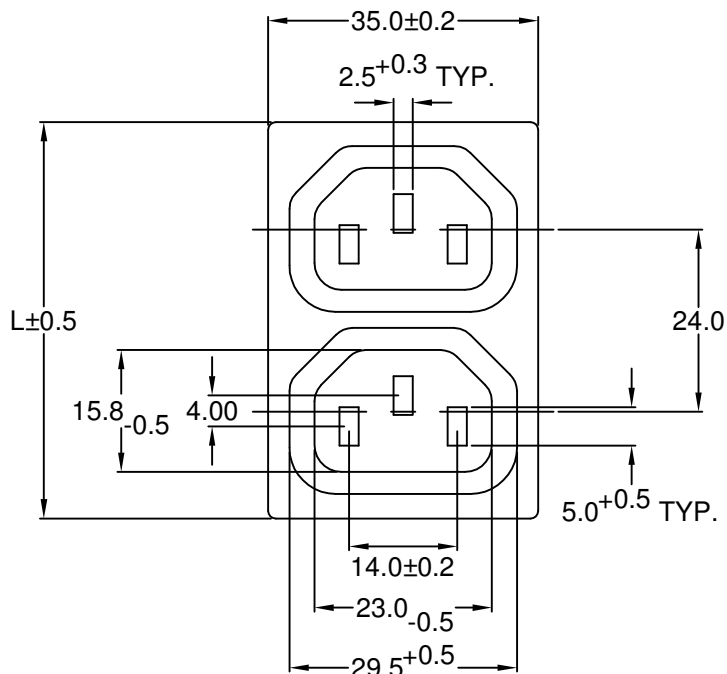
Rated current: 10A
 Rated voltage: 250VAC 

Rated current: 20A
 Rated voltage: 250VAC 



RECOMMENDED
 PANEL CUTOUT

No of Port	L	E	F
2	51.2	48.0	48.3
3	75.4	72.0	72.2
4	99.6	96.0	96.2
5	123.2	120.0	120.3
6	147.2	144.0	144.4
7	171.2	168.0	168.4



ORDERING CODE:
 44R02-1 121 - 2

- 1) NO OF PORT (SEE CHART ABOVE)
- 2) PANEL THICKNESS

REV	DATE	CHANGE	CHNG CHECK APPR		
			TD	PB	PB
A	8/6/03	UPDATED DIM. & CHART	TD	PB	PB
B	9/24/03	ADD 1.2mm PANEL THICKNESS	PB	TD	PB
C	5/27/04	REVISED & UPDATED	TD	PB	PB
D	1/24/05	CHANGE CURRENT RATING, SOLDER WELD	TD	PB	PB

P/N	A	MAX. PANEL THICKNESS
44R02-X121-120	1.2	1.2
44R02-X121-150	1.5	1.5
44R02-X121-250	2.5	2.5

ADDITIONAL PANEL THICKNESS
 AVAILABLE ON REQUEST

TOLERANCE
 UNLESS OTHERWISE SPECIFIED
 X ± 1
 X.X ± 0.4
 X.XX ± 0.20

DRAWN BY	GQ	DATE:	10/26/01
CHECK BY	PB	DATE:	11/06/01
APPR BY	TD	DATE:	11/06/01

Power Dynamics, Inc.
 Phone: 973 560-0019 Whippany, New Jersey Fax: 973 560-0076

PART: IEC 60320 C13 STRIP APPL. OUTLET; SNAP-IN, SOLDER TERMINAL WITH 1.7x4.0 SLOT

PART #: **44R02-X121-XXX**

SIZE: A SCALE: NTS ALL DIMENSIONS FOR REFERENCE ONLY DIMENSIONS ARE IN MILLIMETERS

SHEET 1 of 1 REV: D

MATERIAL AND FINISH

Insulator: Polycarbonate or Thermoplastic, black, UL-94V-0 rated.
Solder Terminals: Brass, Tin plated.

ELECTRICAL SPECIFICATIONS:

Rated current: 10A
Rated voltage: 250VAC



Rated current: 20A
Rated voltage: 250VAC

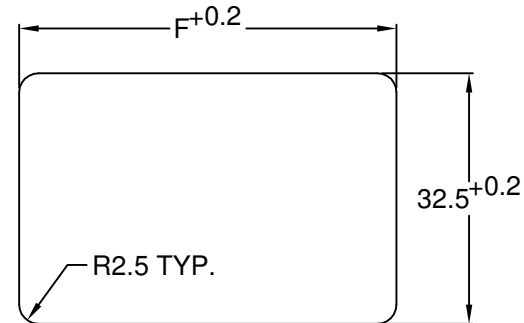
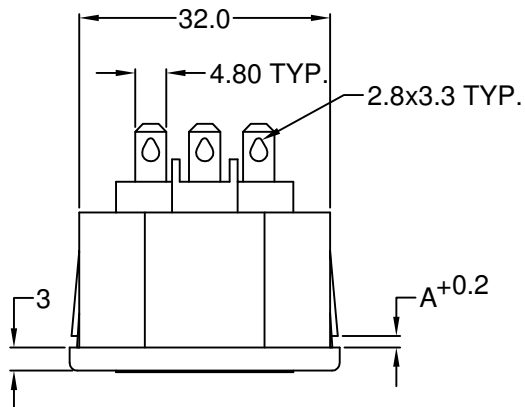


No of Port	L	E	F
2	51.2	48.0	48.3
3	75.4	72.0	72.2
4	99.6	96.0	96.2
5	123.2	120.0	120.3
6	147.2	144.0	144.4
7	171.2	168.0	168.4

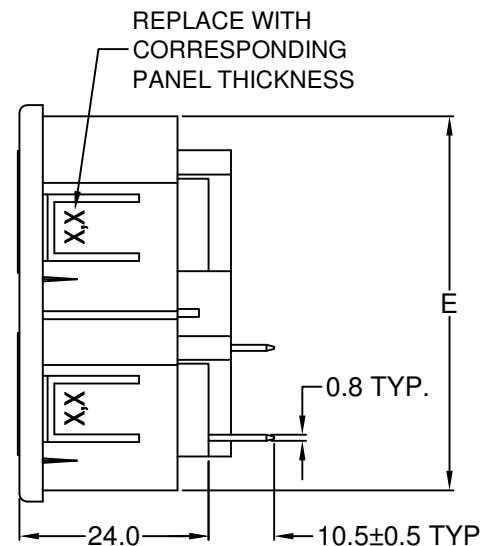
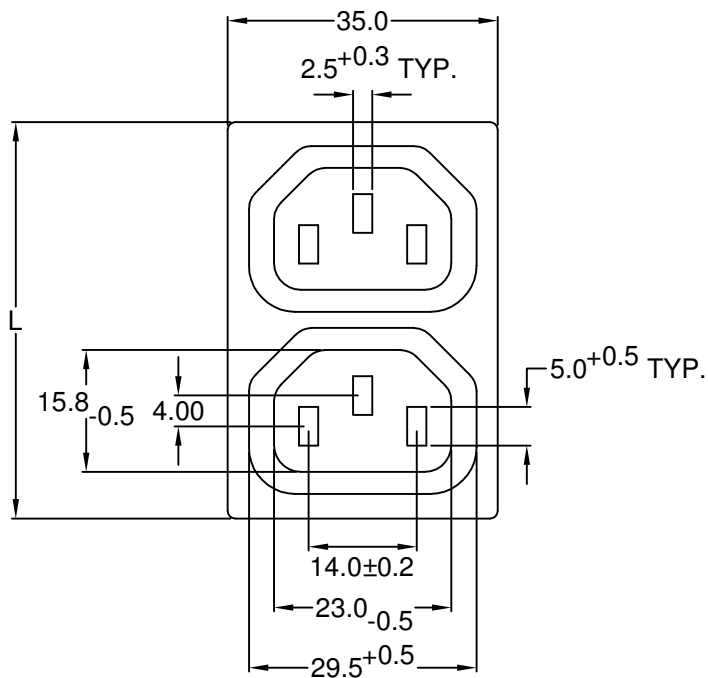
ORDERING CODE:

44R02- 131-
 1 2

- 1) NO OF PORT (SEE CHART ABOVE)
- 2) PANEL THICKNESS



RECOMMENDED
PANEL CUTOUT



REV	DATE	CHANGE	CHNG/CHK/APPR		
			CHNG	CHK	APPR
A	2/28/03	CHNG. UL RATING TO 20A	PB	TD	PB
B	5/14/04	REV'D DIM'L, E, F	TD	PB	PB
C	1/24/05	CHNG DIM E & F FOR 3 & 4 PORTS	PB		

P/N	A	MAX. PANEL THICKNESS
44R02-X131-150	1.5	1.5
44R02-X131-250	2.5	2.5

ADDITIONAL PANEL THICKNESS
AVAILABLE ON REQUEST

TOLERANCE
UNLESS OTHERWISE SPECIFIED

X ± 1
X.X ± 0.4
X.XX ± 0.20

DRAWN BY	DT	DATE:	1/15/03
CHECK BY	PB	DATE:	1/15/03
APPR BY		DATE:	

Power Dynamics, Inc.
Phone: 973 560-0019 Whippany, New Jersey Fax: 973 560-0076

PART: IEC 60320 C13 STRIP APPL. OUTLET;
SNAP-IN, 4.8 Q.C. TERMINAL

PART #: **44R02-X131-XXX**

SIZE: A
SCALE: NTS

ALL DIMENSIONS FOR REFERENCE ONLY
DIMENSIONS ARE IN MILLIMETERS

SHEET 1 of 1
REV: C