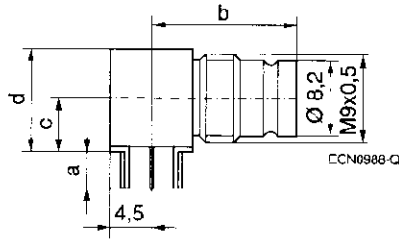


Series 1.6/5.6 mS (75 Ω) (Continued)



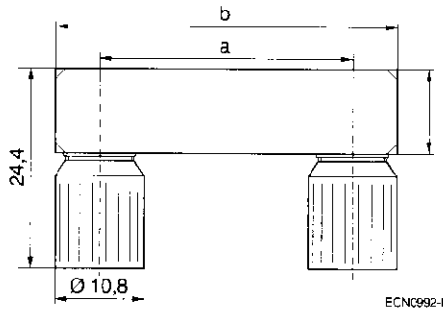
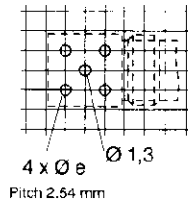
Bulkhead angle jack with PC board connection

Coupling type	Part No.	Dim. a	Dim. b	Dim. c	Dim. d	Dim. e
A, B, F	2-1393681-1	4,0	16	6	10,75	1,3
A, B, F	2-1393681-2	3,3	16	6	10,75	1,3
A, B, F	2-1393681-3*)	3,7	22,9	6,45	11,25	1,8

packing unit = 240

*) With positioning and snap-on system onto PC board

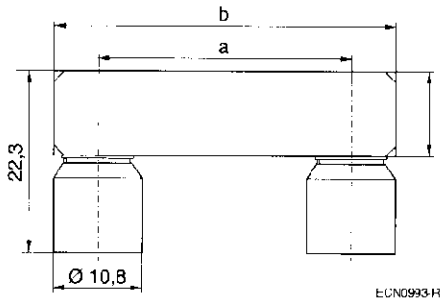
Mounting holes



U-link plug/plug

Coupling type	Dim. a ± 0,1 mm	Dim. b max. mm	Part. No.
A	15	26,5	1393681-1
A	30	41,5	1393681-2

packing unit = 50



Coupling type	Dim. a ± 0,1 mm	Dim. b max. mm	Part. No.
B	15	26,5	1393681-3
B	30	41,5	1393681-4

packing unit = 50