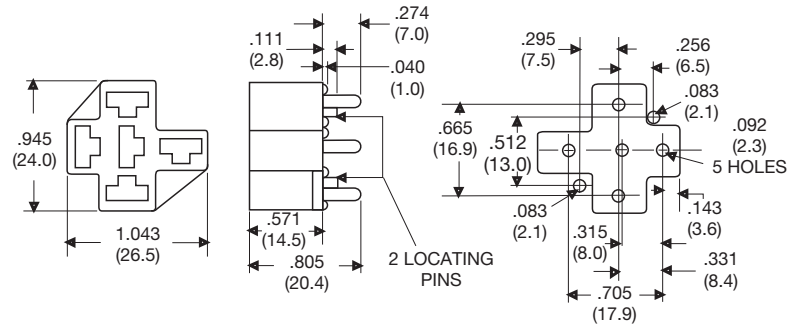


**Connectors for Mini ISO Relays**

**PCB Socket**

**VCF4-1000**

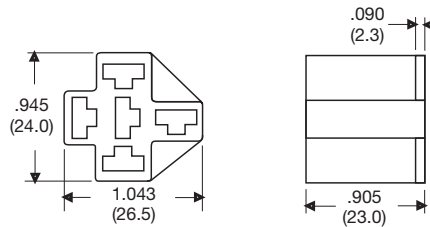
(Mounting Recommendation: To keep insertion force away from the PCB the soldering of the socket to the PCB should be done with already inserted relay).



**Connector**

**VCF4-1001**

(Terminals to be ordered separately).

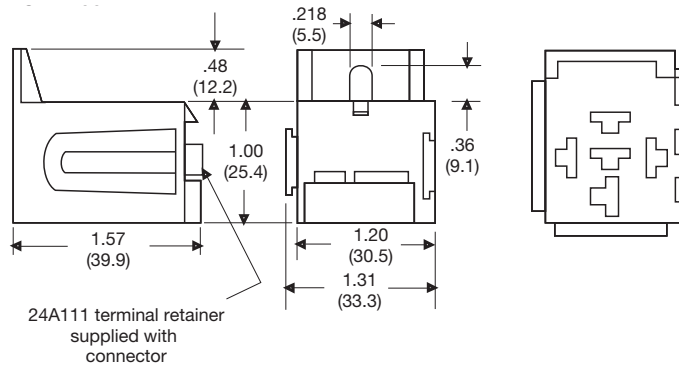


**Connector with Mounting Flap**

(To be mounted individually or can be interlocked).

**VCF4-1002**

(Crimp terminals to be ordered separately).



**Selection of fitting crimp terminals 1) 2)**

Part numbers for connectors		Wire mm <sup>2</sup> (AWG)	Quantity required		Part number for crimp terminals
Product code	Part number		Form A	Form C	
VCF4-1000	1393310-3	-	-	-	-
VCF4-1001	3-1393310-7	1.3 - 3.3 (16-12) 0.8 - 2.1 (18-14)	4	5	60249-1 42281-1
VCF4-1002	4-1419106-0	0.5 - 0.8 (20-18) 1.3 - 2.1 (16-14) 3.3 - 5.3 (12-10)	4	5	1-1393310-8 1-1393310-9 2-1393310-0

1) Crimp terminals are to be ordered separately.

2) Mentioned crimp terminals are delivered in strip form. Loose pieces and hand tool available on request.