

G1G140-AV17-02

EC centrifugal fan

forward curved, single inlet
with housing (flange)



ebm-papst Mulfingen GmbH & Co. KG

Bachmühle 2

D-74673 Mulfingen

Phone +49 7938 81-0

Fax +49 7938 81-110

info1@de.ebmpapst.com

www.ebmpapst.com

Nominal data

Type	G1G140-AV17-02	
Motor	M1G055-CF	
Nominal voltage	VDC	24
Nominal voltage range	VDC	16 .. 28
Type of data definition		rfa
Speed	min ⁻¹	1750
Power input	W	54
Current draw	A	2.5
Max. ambient temperature	°C	60

mi = max. load · me = max. efficiency · rfa = running at free air · cs = customer specs · cu = customer unit
Subject to alterations

EC centrifugal fan

forward curved, single inlet
with housing (flange)

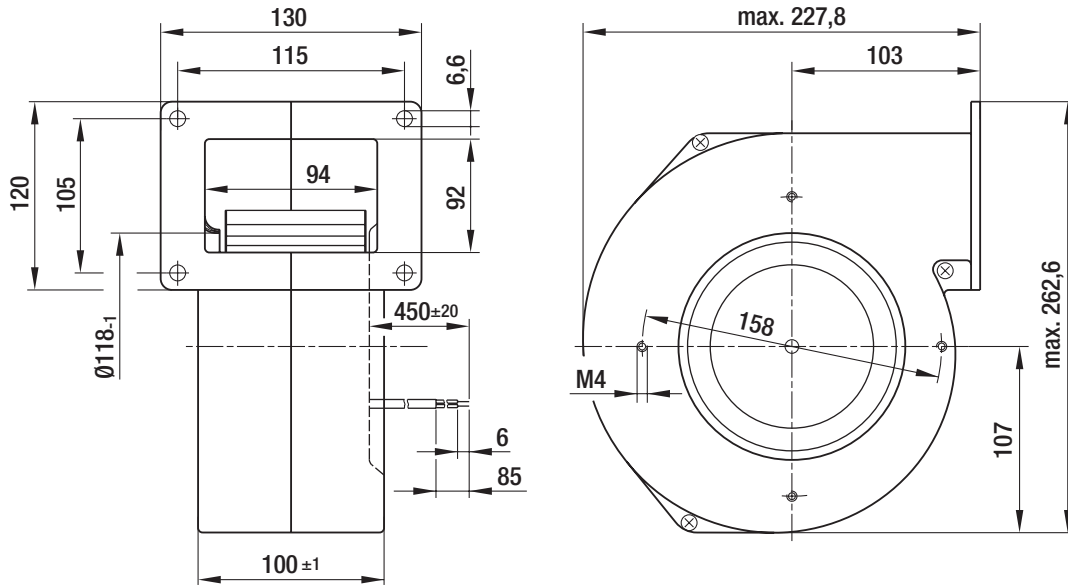
Technical features

General description	Integrated electronics
Size	140 mm
Operation mode	Continuous operation (S1)
Direction of rotation	Clockwise, seen on rotor
Mounting position	Any
Humidity class	F0
Insulation class	"B"
Cable exit	Axial
Motor bearing	Ball bearing
Mass	2.3 kg
Material of electronics housing	Rotor: Coated in black
Material of impeller	Hot-dip galvanized sheet steel
Motor protection	Reverse polarity and locked-rotor protection
Type of protection	IP 22
Protection class	I
Technical features	Control input 0-10 VDC / PWM, tach output, polarity and locked rotor protection

EC centrifugal fan

forward curved, single inlet
with housing (flange)

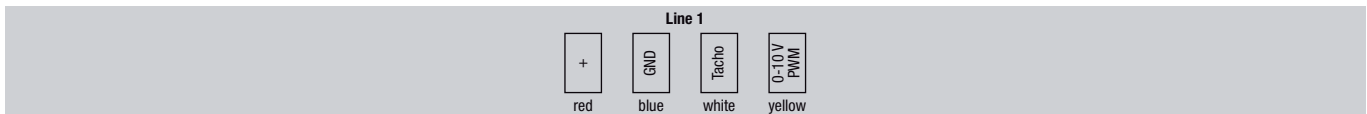
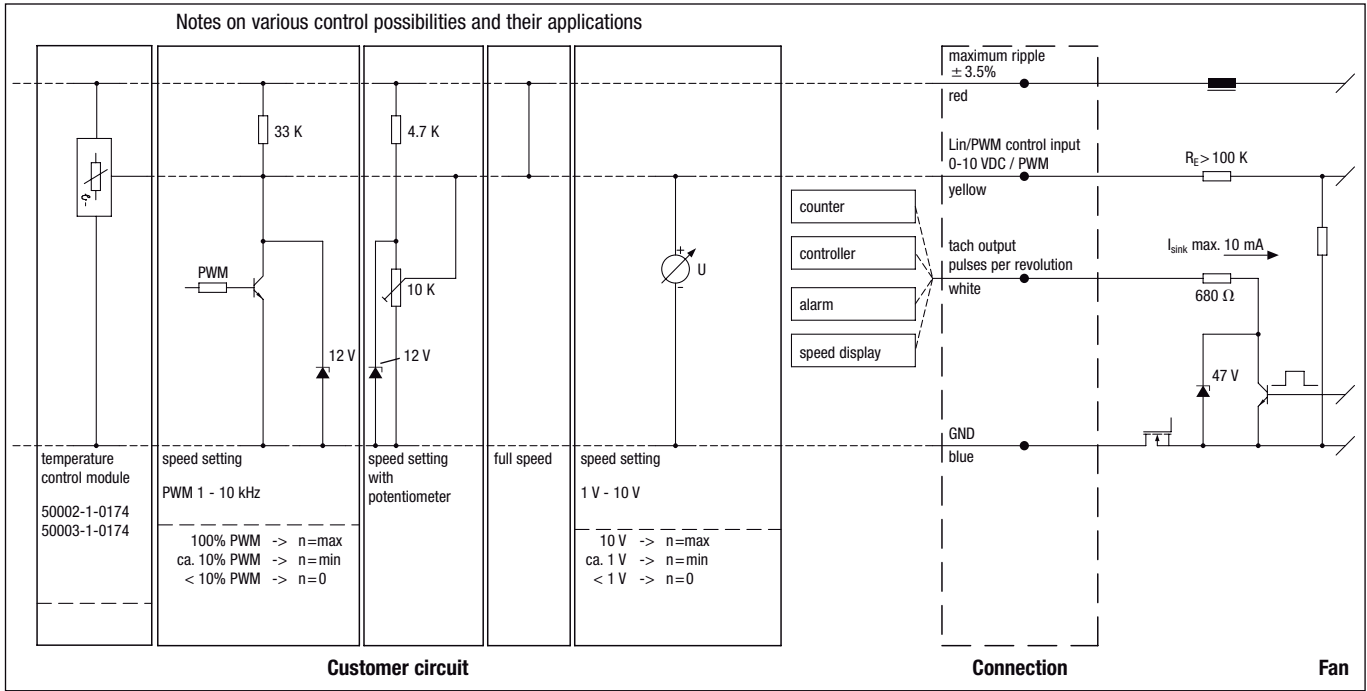
Product drawing



EC centrifugal fan

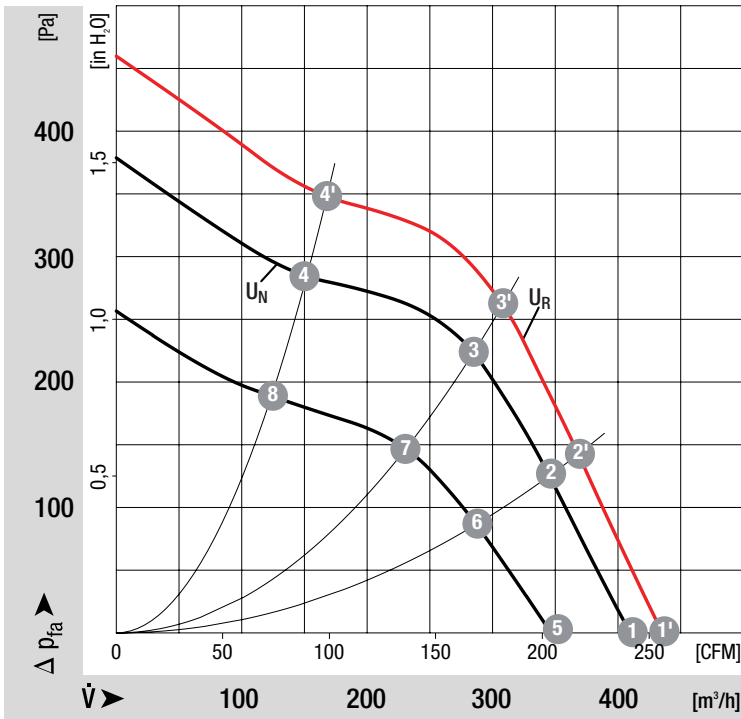
forward curved, single inlet
with housing (flange)

Connection screen



Line	Signal	Colour	Assignment / function	Line	Signal	Colour	Assignment / function
1	+	red	maximum ripple $\pm 3.5\%$	1	Tacho	white	Tach output: pulses per revolution
	GND	blue	GND		0-10 V / PWM	yellow	Control input

Charts: Air flow



Measured values

	n	P _e
	min ⁻¹	W
1'	1850	65
2'	2020	61
3'	2200	57
4'	2550	43
1	1750	54
2	1900	50
3	2030	45
4	2310	32
5	1500	34
6	1580	29
7	1670	25
8	1880	19