

RL 90-18/12 N

DC centrifugal compact fan

single inlet



ebm-papst St. Georgen GmbH & Co. KG

Hermann-Papst-Str. 1
D-78112 St. Georgen
Phone +49 (0) 7724 81-0
Fax +49 (0) 7724 81-1309
info2@de.ebmpapst.com
www.ebmpapst.com

Nominal data

Type	RL 90-18/12 N	
Nominal voltage	VDC	12
Nominal voltage range	VDC	7 .. 15
Speed	min ⁻¹	2500
Power input	W	6.3
Min. ambient temperature	°C	-30
Max. ambient temperature	°C	75
Air flow	m ³ /h	40
Sound power level	B	5.8

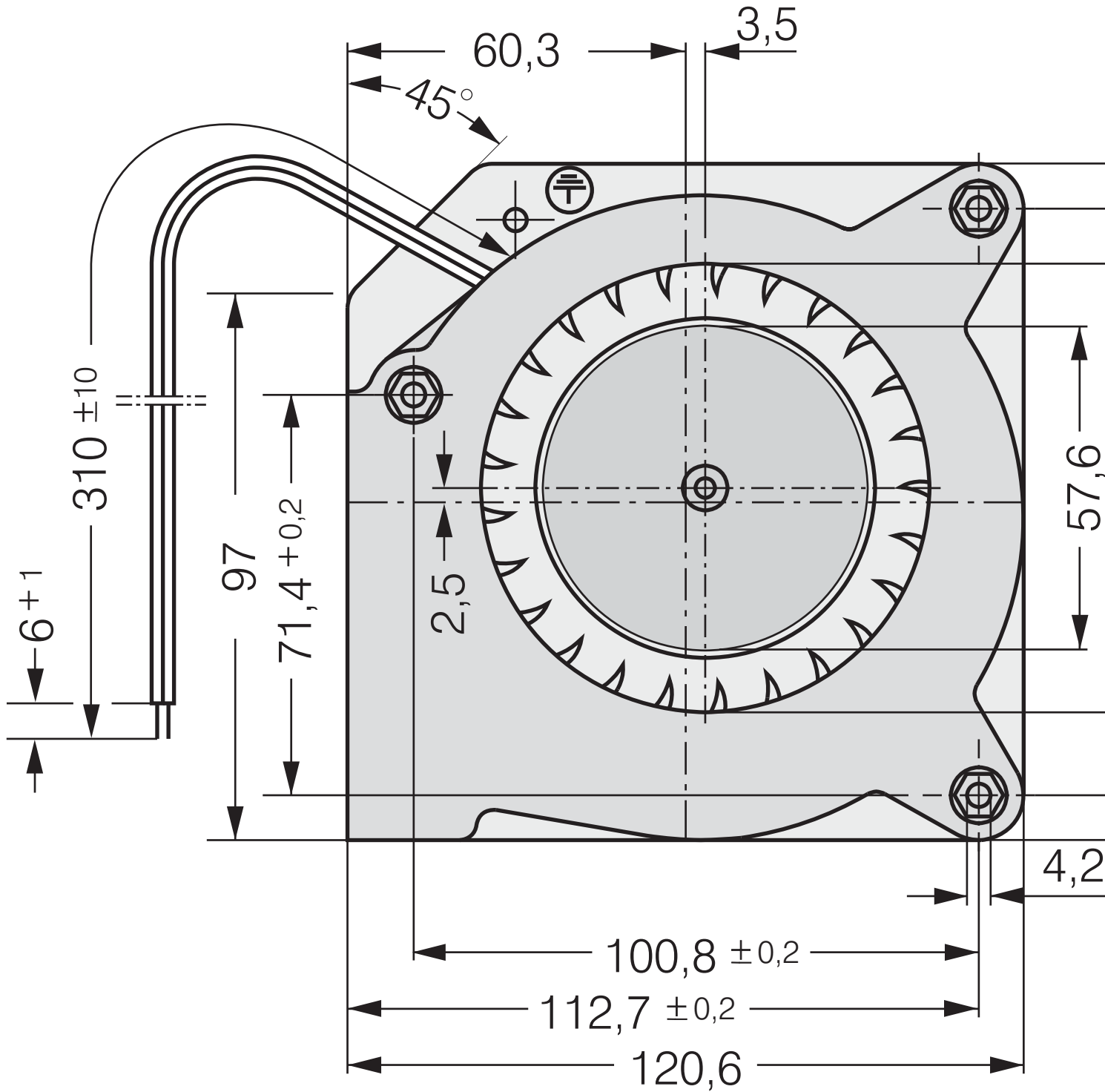
ml = Max. load · me = Max. efficiency · fa = Running at free air · cs = Customer specs · cu = Customer unit
Subject to alterations



Technical features

General description	Forward-curved impeller
Mass	0.420 kg
Dimensions	121 x 121 x 37 mm
Material of impeller	Fiberglass-reinforced plastic
Housing material	Scroll housing of fiberglass-reinforced plastic, housing base of sheet steel.
Direction of air flow	Axial air intake, centrifugal air exhaust out of the outlet.
Bearing	Ball bearings
Lifetime L10 at 40 °C	62500 h
Lifetime L10 at maximum temperature	27500 h
Connection line	With single strands AWG 22, TR 64
Motor protection	Protected against reverse polarity and locking.
Locked-rotor protection	Blocking and overload protection
Approval	VDE, CSA, UL, CE
Option	Speed signal

Product drawing



*Federmutter M4 oder 8-32UNC. Eins

Charts: Air flow

