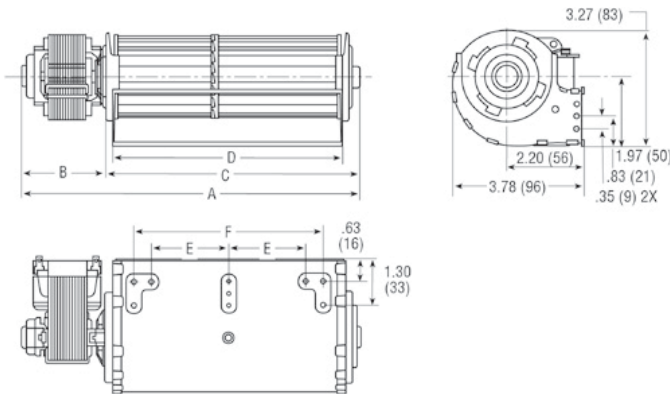


QLZ06AC Series Crossflow Blower

180... 300mm x Ø 60mm

- AC blower with shaded pole motor with sleeve bearings and terminals. Max ambient temperature of 60 C.
- High volume and performance already at a low air velocity, therefore low noise level.
- Fan propeller of aluminum and air duct housing of sheet steel.
- Rotational direction CW looking at rotor.
- UL, CSA, VDE approvals on some models. Please contact application engineering

Part Number	Model Number	Curve	CFM @ 0	VAC	Hertz	Power (W)	dBA	Motor Position	Bobbin Position	Insul. Class
55410.91162	QLZ060018A2262518L70VB	1	63	115	60	29	49	Left	Front	B
55410.81390	QLZ061800A3313025LH48IX	2	72	120	60	35	49	Right	Up	B
55410.91190	QLZ060018A2412524L60PV	2	72	115	60	35	50	Left	Front	B
55412.70305	QLZ060030A583030LH133ACW	3	138	115	60	56	50	Left	Front	H
55410.91161	QLZ060018A2262518L70PW	1	63	220/240	50/60	28	49	Left	Front	B
55410.81051	QLZ061800A265252415PZ	2	72	220/240	50/60	35	50	Right	Up	H



PART NUMBER	A	B	C	D	E	F
	inch (mm)	inch (mm)	inch (mm)	inch (mm)	inch (mm)	inch (mm)
55410.91/81---	10.24 (260)	2.17 (55)	7.68 (195)	7.09 (180)	2.52 (64)	6.06 (154)
55412.70---	15.55 (395)	2.83 (72)	12.32 (313)	11.81 (300)	4.84 (123)	10.70 (272)

