

RG 160-28/06S

AC centrifugal compact fan

single inlet



ebm-papst St. Georgen GmbH & Co. KG

Hermann-Papst-Str. 1

D-78112 St. Georgen

Phone +49 (0) 7724 81-0

Fax +49 (0) 7724 81-1309

info2@de.ebmpapst.com

www.ebmpapst.com

Nominal data

Type	RG 160-28/06S	
Phase		1~
Nominal voltage	VAC	115
Frequency	Hz	60
Speed	min ⁻¹	3050
Power input	W	50.0
Min. ambient temperature	°C	-30
Max. ambient temperature	°C	80
Air flow	m ³ /h	223
Sound power level	B	6.9

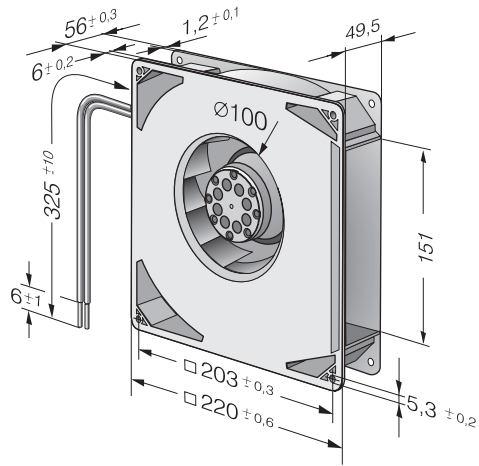
ml = Max. load · me = Max. efficiency · fa = Running at free air · cs = Customer specs · cu = Customer unit
Subject to alterations



Technical features

General description	Backward-curved impeller
Mass	1.700 kg
Dimensions	220 x 220 x 56 mm
Material of impeller	Fibreglass-reinforced plastic (PA)
Housing material	Spiral housing of fibreglass-reinforced plastic, housing base of galvanized sheet steel.
Direction of air flow	Centrifugal, air exhaust out of housing window
Direction of rotation	Left, looking at rotor
Bearing	Ball bearings
Lifetime L10 at 40 °C	27500 h
Lifetime L10 at maximum temperature	12500 h
Connection line	With 2 single strands AWG 18
Motor protection	Protected from overload using impedance protection
Approval	VDE, CSA, UL, CE

Product drawing



Charts: Air flow

