

# S-Series Pushbutton Switches

Series S Pushbutton switches are designed for snap-in panel mounting.

**Approvals** 

UL recognized, CSA certified, VDE approved. Load rating: 10A 125/250 VAC, 1/4 HP, 125 VAC; 10A 14VDC. Contacts: fine silver, double break. Circuits: single-pole and double-pole. Dielectric strength: 2000 VAC RMS. Life: 25,000 operations at maximum rating.

**Low Level Control**

For low level/dry circuit applications (<100 ma) contact factory for part number.

**Terminals/Contacts**

1/4" quick-connect, 3/16" quick-connect and solder lug for #12 wire. Fine silver contacts (gold plating available).

**Mechanical Features**

Positive mechanical indication of switch contact position. 100,000 mechanical operations.

**Lamps**

Integral with switch; internally connected per diagram. 6, 12 and 28 volt incandescent lamps standard. 125 and 250 volt neon lamps standard.

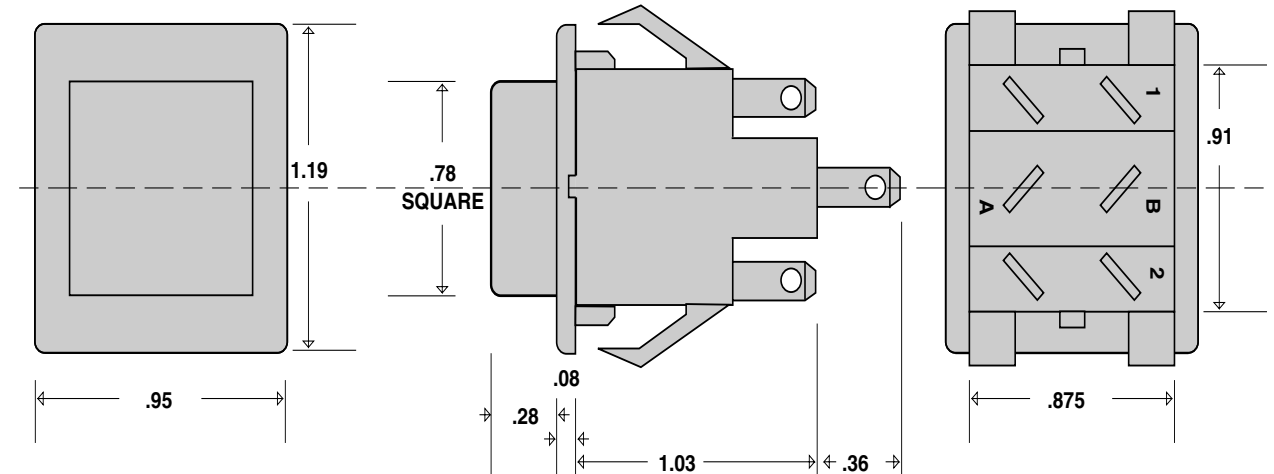
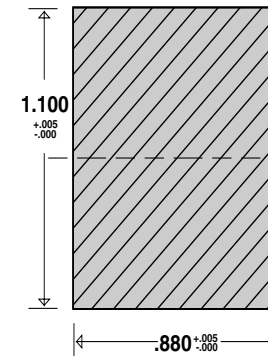
**Special Lamps**

Green neon 125 and 250 volt lamps. LED 6 and 12 volt. Consult factory for special requirements.

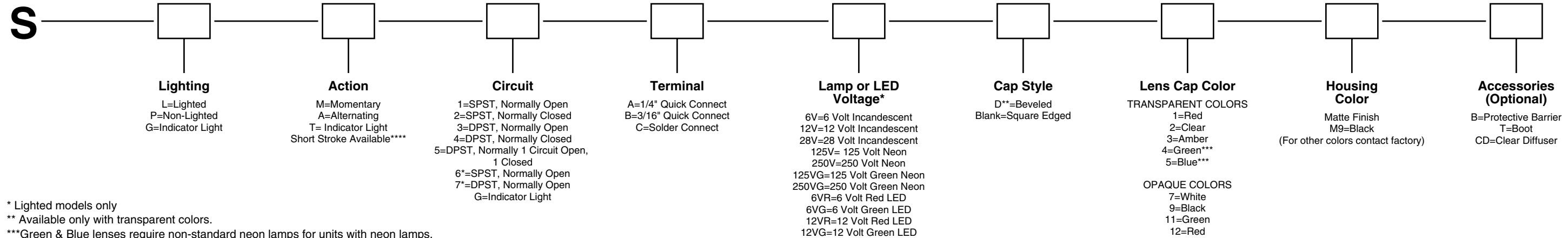
**Markings**

Letters, numbers and symbols can be engraved, hot-stamped or pad printed on lens cap; mylar inserts are also available. See back cover gatefold for details.

Circuit	Switching	Circuit Diagram (Lighted)	Circuit Diagram (Non-Lighted)
1	Single-Pole Single-Throw Normally Open		
2	Single-pole Single-throw Normally Closed		
3	Double-Pole Single-Throw Normally Open		
4	Double-pole Single-throw Normally Closed		
5	Double-Pole Circuit #1 Normally Open Circuit #2 Normally Closed		
6	Single-Pole Single-Throw Normally Open		N/A
7	Double-Pole Single-Throw Normally Open		N/A
G	Indicator Light Only		N/A



**Ordering Information:**



\* Lighted models only  
\*\* Available only with transparent colors.  
\*\*\*Green & Blue lenses require non-standard neon lamps for units with neon lamps.  
\*\*\*\*Momentary, normally open circuits only. Consult Factory.



Phone (203) 272-2794 ● Fax (203) 272-3492 ● <http://www.osloswitch.com>

MADE IN U.S.A.



Phone (203) 272-2794 ● Fax (203) 272-3492 ● <http://www.osloswitch.com>

MADE IN U.S.A.