


## Optimum Cooling with a Comprehensive Lineup of Axial Fans

- Low noise level, long service life, and resistance to the environment.
- Shaft supported by ball bearings for highly-reliable operation.
- Plastic-bladed models (44 type) and metal-bladed models (28 type) included in series.
- R87T-A□A15H-WR Water-resistant AC Axial Fans (IP X7 degree of protection) added to series.

**Note:** The compliant standards and certified safety standards depend on the product. Check the information in *Characteristics*.



 Refer to the *Safety Precautions for All Axial Fans* on our website.

For the most recent information on models that have been certified for safety standards, refer to your OMRON website.

## Model Number Structure

### Model Number Legend

R87 □ - □ □ □ □ □ □ □ - □  
 1 2 3 4 5 6 7 8

**1. Basic series**

R87F: Plastic blade  
 R87T: Metal blade

**2. Rated voltage**

A1: 100 VAC  
 A3: 115 VAC  
 A4: 200 VAC  
 A6: 230 VAC

**3. Frame material**

A: Die-cast aluminum

**4. Frame size**

8: 80 × 80  
 9: 92 × 92  
 1: 120 × 120  
 0: 150 dia.

**5. Frame thickness**

3: 25  
 5: 38  
 7: 55

**6. Rotational speed**

H: High  
 M: Medium  
 L: Low

**7. Terminal type**

No marking: Lead wires  
 P: Terminals (See note 1.)

**8. Type**

No marking: Standard  
 WR: Water-resistant

**Note: 1.** A Plug Cord (R87F-PC) is available as an option for models with terminals.

**2.** These tables show only how to read product markings. They do not indicate which products are available. Refer to “*Ratings and Ordering Information*” when ordering.

## Ordering Information

### Available Models

**AC Axial Fans**

Series	Size (mm)	Model	Datasheet available
R87F (plastic blades)	80 × 80 × t25	R87F-A□A83	Refer to page 2.
	80 × 80 × t38	R87F-A□A85	Refer to page 4.
	92 × 92 × t25	R87F-A□A93	Refer to page 6.
	120 × 120 × t25	R87F-A□A13	Refer to page 8.
	120 × 120 × t38	R87F-A□A15	Refer to page 10.
R87T (metal blades)	80 × 80 × t25	R87T-A□A83	Refer to page 12.
	80 × 80 × t38	R87T-A□A85	Refer to page 14.
	120 × 120 × t38	R87T-A□A15	Refer to page 16.
	150-dia. × t38	R87T-A□A05	Refer to page 18.
	150-dia. × t55	R87T-A□A07	Refer to page 20.
	120 × 120 × t38	R87T-A□A15H-WR	Refer to page 22.

**Options (Order Separately)**

Product name	Model	Datasheet available
Plug Cord	R87F-PC	Refer to page 24.
Finger Guard	R87F-FG□	Refer to page 25.
Filter	R87F-FL□(S)	Refer to page 26.

**Note:** Mounting screws are not provided.

## Safety Precautions

Refer to the *Safety Precautions for All Axial Fans* on our website.

# AC Axial Fans with Lead Wires (80 × 80 × t25 mm)

# R87F-A□A83

## Specifications

### Ratings and Ordering Information

Note: An asterisk (\*) indicates a nominal value.

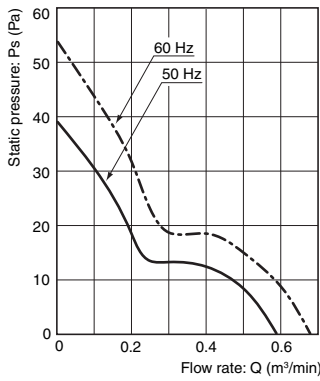
Item Model	Rated voltage (V)	Permitted voltage fluctuation range (%)	Frequency (Hz)	Rated current (A) *		Rated input (W) *		Rated rotational speed (r/min) *		Maximum flow rate (m <sup>3</sup> /min) *		Maximum static pressure (Pa) *		Noise (dB) *	
				50 Hz	60 Hz	50 Hz	60 Hz	50 Hz	60 Hz	50 Hz	60 Hz	50 Hz	60 Hz	50 Hz	60 Hz
R87F-A1A83H	100 VAC	85% to 110% rated voltage	50/60	0.097	0.080	7	6	2,600	3,000	0.6	0.7	39.2	53.9	32	36
R87F-A3A83H	115 VAC			0.085	0.070										
R87F-A4A83H	200 VAC			0.048	0.041										
R87F-A6A83H	230 VAC			0.046	0.039										
R87F-A1A83L	100 VAC	85% to 110% rated voltage	50/60	0.063	0.055	5	4	1,900	2,100	0.4	0.5	19.5	23.5	28	30
R87F-A3A83L	115 VAC			0.055	0.048										
R87F-A4A83L	200 VAC			0.033	0.030										
R87F-A6A83L	230 VAC			0.028	0.024										

### Characteristics

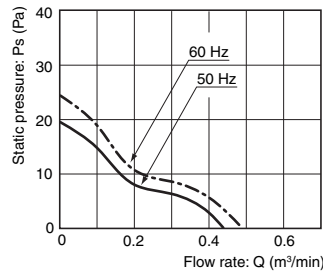
Motor type	Single-phase shading coil induction motor (2-pole, open type)
Terminal type	Lead wires
Insulation class	IEC class B (130°C) UL class A (105°C) CSA class A (105°C)
Insulation resistance	100 MΩ min. (at 500 VDC) between all power supply connections and uncharged metal parts.
Insulation withstand voltage	2,000 VAC (1 minute) between all power supply connections and uncharged metal parts.
Ambient operating temperature	-30 to 70°C (no icing)
Ambient storage temperature	-40 to 85°C (no icing)
Ambient humidity	25% to 85%
Protection	Impedance protection
Materials	Frame: Die-cast aluminum Blades: Glass polycarbonate
Bearings	Ball bearings
Weight	Approx. 230 g
Compliant standards	EN/IEC 60335 (CE marking compliant)
Certified standards	UL/CSA

## Flow Rate and Static Pressure Characteristics (Reference Values)

R87F-A□A83H



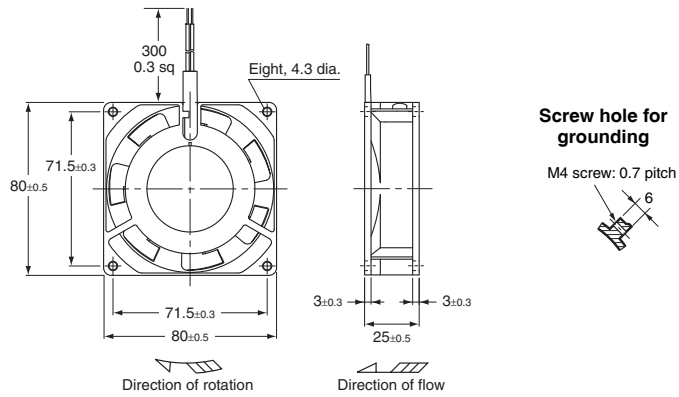
R87F-A□A83L



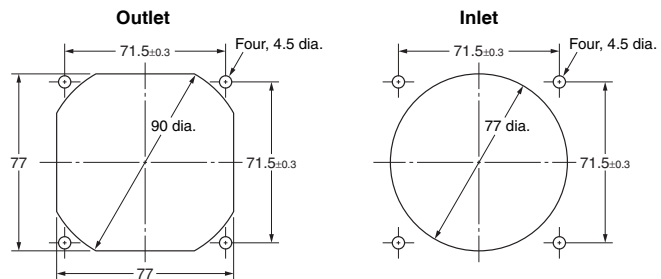
Note: For details on measurement conditions, refer to *Flow Rate and Static Pressure on Safety Precautions for All Axial Fans*.

## Dimensions

(Unit: mm)



### Panel Cutouts



## Options

Names	Model	Datasheet available
Finger Guard	R87F-FG80	Refer to page 25.
Filter	R87F-FL80	Refer to page 26.

ALL DIMENSIONS SHOWN ARE IN MILLIMETERS.  
To convert millimeters into inches, multiply by 0.03937. To convert grams into ounces, multiply by 0.03527.

In the interest of product improvement, specifications are subject to change without notice.

# R87F-A□A85

## Specifications

### Ratings and Ordering Information

Note: An asterisk (\*) indicates a nominal value.

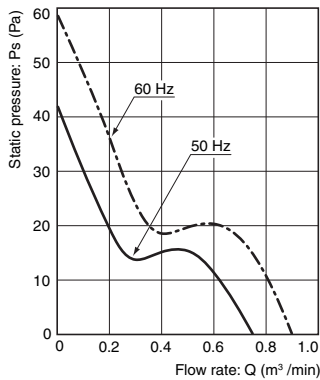
Item Model	Rated voltage (V)	Permitted voltage fluctuation range (%)	Frequency (Hz)	Rated current (A) *		Rated input (W) *		Rated rotational speed (r/min) *		Maximum flow rate (m <sup>3</sup> /min) *		Maximum static pressure (Pa) *		Noise (dB) *	
				50 Hz	60 Hz	50 Hz	60 Hz	50 Hz	60 Hz	50 Hz	60 Hz	50 Hz	60 Hz	50 Hz	60 Hz
R87F-A1A85HP	100 VAC	85% to 110% rated voltage	50/60	0.140	0.115	10	9	2,700	3,200	0.8	0.9	42.1	58.8	32	36
R87F-A3A85HP	115 VAC			0.120	0.100										
R87F-A4A85HP	200 VAC			0.080	0.060										
R87F-A6A85HP	230 VAC			0.060	0.050										
R87F-A1A85LP	100 VAC	85% to 110% rated voltage	50/60	0.090	0.080	7	6	2,200	2,500	0.6	0.7	25.0	32.0	26	29
R87F-A3A85LP	115 VAC			0.080	0.070										
R87F-A4A85LP	200 VAC			0.050	0.040										
R87F-A6A85LP	230 VAC			0.040	0.040										

### Characteristics

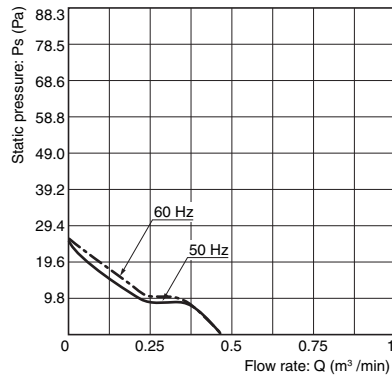
Motor type	Single-phase shading coil induction motor (2-pole, open type)
Terminal type	Terminals
Insulation class	IEC class B (130°C) UL class A (105°C) CSA class A (105°C)
Insulation resistance	100 MΩ min. (at 500 VDC) between all power supply connections and uncharged metal parts.
Insulation withstand voltage	2,000 VAC (1 minute) between all power supply connections and uncharged metal parts.
Ambient operating temperature	-30 to 70°C (no icing)
Ambient storage temperature	-40 to 85°C (no icing)
Ambient humidity	25% to 85%
Protection	Impedance protection
Materials	Frame: Die-cast aluminum Blades: Glass polycarbonate
Bearings	Ball bearings
Weight	Approx. 280 g
Compliant standards	PSE, EN/IEC 60335 (CE marking compliant)
Certified standards	UL/CSA

## Flow Rate and Static Pressure Characteristics (Reference Values)

R87F-A□A85HP



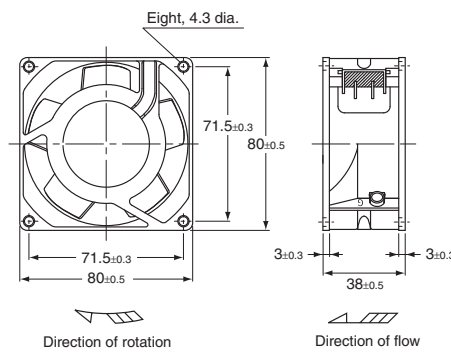
R87F-A□A85LP



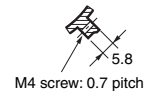
Note: For details on measurement conditions, refer to *Flow Rate and Static Pressure on Safety Precautions for All Axial Fans*.

## Dimensions

(Unit: mm)



Screw hole for grounding

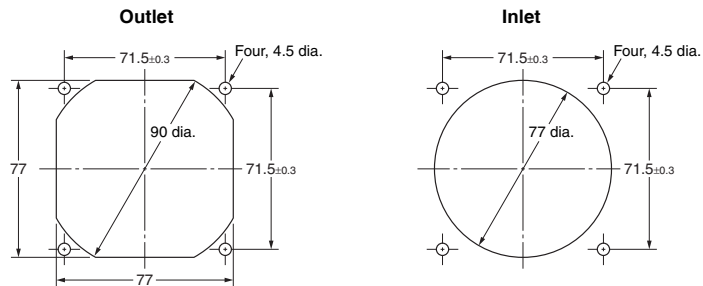


Terminal shape



Faston #110 terminal (or equivalent)

### Panel Cutouts



## Options

Name	Model	Datasheet available
Plug Cord	R87F-PC	Refer to page 24.
Finger Guard	R87F-FG80	Refer to page 25.
Filter	R87F-FL80	Refer to page 26.

ALL DIMENSIONS SHOWN ARE IN MILLIMETERS.  
To convert millimeters into inches, multiply by 0.03937. To convert grams into ounces, multiply by 0.03527.

In the interest of product improvement, specifications are subject to change without notice.

# R87F-A□A93

## Specifications

### Ratings and Ordering Information

Note: An asterisk (\*) indicates a nominal value.

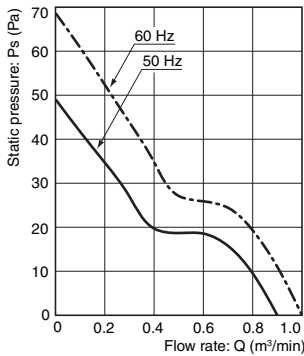
Item Model	Rated voltage (V)	Permitted voltage fluctuation range (%)	Frequency (Hz)	Rated current (A) *		Rated input (W) *		Rated rotational speed (r/min) *		Maximum flow rate (m <sup>3</sup> /min) *		Maximum static pressure (Pa) *		Noise (dB) *	
				50 Hz	60 Hz	50 Hz	60 Hz	50 Hz	60 Hz	50 Hz	60 Hz	50 Hz	60 Hz	50 Hz	60 Hz
R87F-A1A93HP	100 VAC	85% to 110% rated voltage	50/60	0.150	0.130	13	11	2,550	3,050	0.9	1.0	49.0	68.6	33	36
R87F-A3A93HP	115 VAC			0.125	0.100										
R87F-A4A93HP	200 VAC			0.070	0.060										
R87F-A6A93HP	230 VAC			0.055	0.050										
R87F-A1A93LP	100 VAC	85% to 110% rated voltage	50/60	0.100	0.085	7	6	1,900	2,200	0.7	0.8	24.5	34.3	29	32
R87F-A3A93LP	115 VAC			0.090	0.075										
R87F-A4A93LP	200 VAC			0.050	0.043										
R87F-A6A93LP	230 VAC			0.045	0.040										

### Characteristics

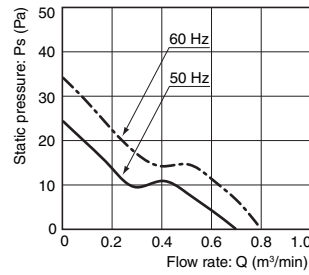
Motor type	Single-phase shading coil induction motor (2-pole, open type)
Terminal type	Terminals
Insulation class	IEC class B (130°C) UL class A (105°C) CSA class A (105°C)
Insulation resistance	100 MΩ min. (at 500 VDC) between all power supply connections and uncharged metal parts.
Insulation withstand voltage	2,000 VAC (1 minute) between all power supply connections and uncharged metal parts.
Ambient operating temperature	-30 to 70°C (no icing)
Ambient storage temperature	-40 to 85°C (no icing)
Ambient humidity	25% to 85%
Protection	Impedance protection
Materials	Frame: Die-cast aluminum Blades: Glass polycarbonate
Bearings	Ball bearings
Weight	Approx. 300 g
Compliant standards	PSE, EN/IEC 60335 (CE marking compliant)
Certified standards	UL/CSA

## Flow Rate and Static Pressure Characteristics (Reference Values)

R87F-A□A93HP



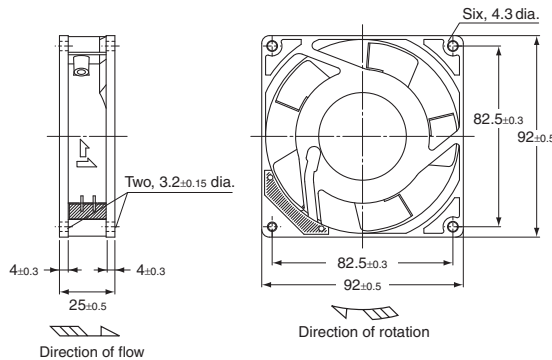
R87F-A□A93LP



**Note:** For details on measurement conditions, refer to *Flow Rate and Static Pressure on Safety Precautions for All Axial Fans*.

## Dimensions

(Unit: mm)



Screw hole for grounding



M4 screw: 0.7 pitch

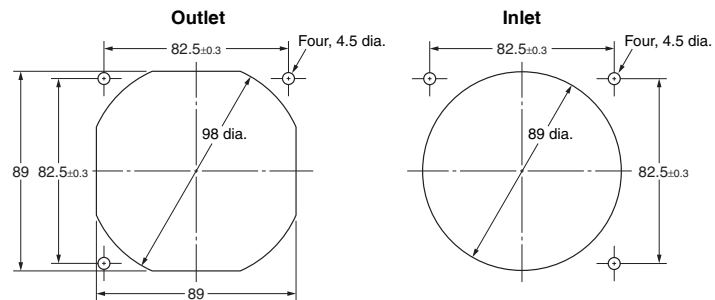
Terminal shape



Faston #110 terminal (or equivalent)

### Panel Cutouts

Panel cutting reference dimensions (note 3 mounting holes)



## Options

Name	Model	Datasheet available
Plug Cord	R87F-PC	Refer to page 24.
Finger Guard	R87F-FG90	Refer to page 25.
Filter	R87F-FL90	Refer to page 26.

ALL DIMENSIONS SHOWN ARE IN MILLIMETERS.  
To convert millimeters into inches, multiply by 0.03937. To convert grams into ounces, multiply by 0.03527.

In the interest of product improvement, specifications are subject to change without notice.

# AC Axial Fans with Terminals (120 × 120 × t25 mm)

# R87F-A□A13

## Specifications

### Ratings and Ordering Information

Note: An asterisk (\*) indicates a nominal value.

Item Model	Rated voltage (V)	Permitted voltage fluctuation range (%)	Frequency (Hz)	Rated current (A) *		Rated input (W) *		Rated rotational speed (r/min) *		Maximum flow rate (m <sup>3</sup> /min) *		Maximum static pressure (Pa) *		Noise (dB) *	
				50 Hz	60 Hz	50 Hz	60 Hz	50 Hz	60 Hz	50 Hz	60 Hz	50 Hz	60 Hz	50 Hz	60 Hz
R87F-A1A13HP	100 VAC	85% to 110% rated voltage	50/60	0.180	0.150	14	12	2,400	2,800	1.9	2.2	44	42	39	43
R87F-A3A13HP	115 VAC			0.160	0.130										
R87F-A4A13HP	200 VAC			0.090	0.075										
R87F-A6A13HP	230 VAC			0.080	0.070										
R87F-A1A13LP	100 VAC	85% to 110% rated voltage	50/60	0.140	0.120	12	10	1,700	2,000	1.3	1.5	20	24	32	34
R87F-A3A13LP	115 VAC			0.130	0.110										
R87F-A4A13LP	200 VAC			0.080	0.060										
R87F-A6A13LP	230 VAC			0.060	0.050										

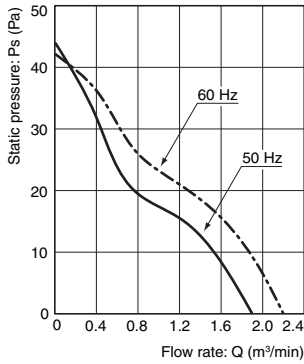
### Characteristics

Motor type	Single-phase shading coil induction motor (2-pole, open type)
Terminal type	Terminals
Insulation class	IEC class B (130°C) UL class A (105°C) CSA class A (105°C)
Insulation resistance	100 MΩ min. (at 500 VDC) between all power supply connections and uncharged metal parts.
Insulation withstand voltage	2,000 VAC (1 minute) between all power supply connections and uncharged metal parts.
Ambient operating temperature	-30 to 70°C (no icing)
Ambient storage temperature	-40 to 85°C (no icing)
Ambient humidity	25% to 85%
Protection	Impedance protection
Materials	Frame: Die-cast aluminum Blades: Glass polycarbonate
Bearings	Ball bearings
Weight	Approx. 350 g
Compliant standards	PSE, EN/IEC 60335 (CE marking compliant)
Certified standards	cULus

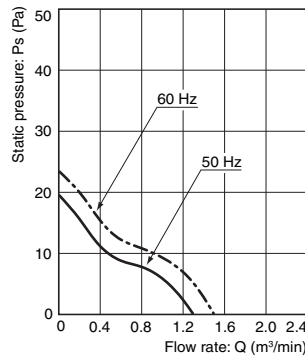


## Flow Rate and Static Pressure Characteristics (Reference Values)

R87F-A□A13HP



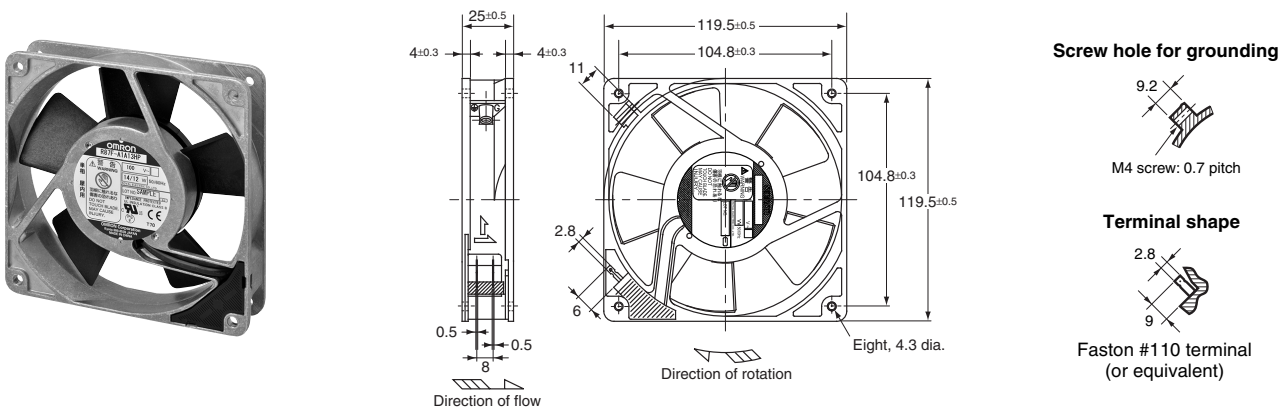
R87F-A□A13LP



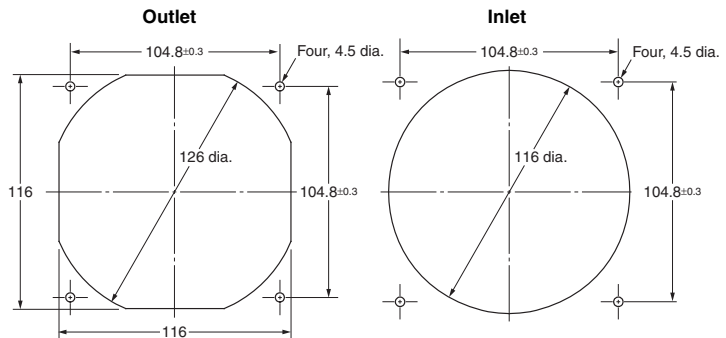
**Note:** For details on measurement conditions, refer to *Flow Rate and Static Pressure on Safety Precautions for All Axial Fans*.

## Dimensions

(Unit: mm)



### Panel Cutouts



## Options

Name	Model	Datasheet available
Plug Cord	R87F-PC	Refer to page 24.
Finger Guard	R87F-FG120	Refer to page 25.
Filter	R87F-FL120(S)	Refer to page 26.

ALL DIMENSIONS SHOWN ARE IN MILLIMETERS.  
To convert millimeters into inches, multiply by 0.03937. To convert grams into ounces, multiply by 0.03527.

In the interest of product improvement, specifications are subject to change without notice.

# R87F-A□A15

## Specifications

### Ratings and Ordering Information

Note: An asterisk (\*) indicates a nominal value.

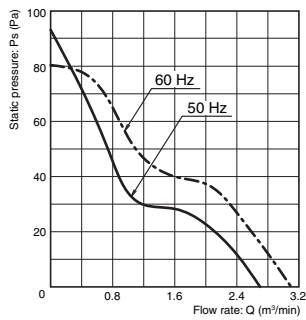
Item Model	Rated voltage (V)	Permitted voltage fluctuation range (%)	Frequency (Hz)	Rated current (A) *		Rated input (W) *		Rated rotational speed (r/min) *		Maximum flow rate (m <sup>3</sup> /min) *		Maximum static pressure (Pa) *		Noise (dB) *	
				50 Hz	60 Hz	50 Hz	60 Hz	50 Hz	60 Hz	50 Hz	60 Hz	50 Hz	60 Hz	50 Hz	60 Hz
R87F-A1A15HP	100 VAC	85% to 110% rated voltage	50/60	0.230	0.200	15	14	2,750	3,200	2.7	3.1	93	80	42	46
R87F-A3A15HP	115 VAC			0.190	0.170										
R87F-A4A15HP	200 VAC			0.110	0.100										
R87F-A6A15HP	230 VAC			0.090	0.080										
R87F-A1A15MP	100 VAC	85% to 110% rated voltage	50/60	0.220	0.180	15	14	2,450	2,700	2.2	2.5	64	64	39	42
R87F-A3A15MP	115 VAC			0.180	0.160										
R87F-A4A15MP	200 VAC			0.110	0.090										
R87F-A6A15MP	230 VAC			0.090	0.080										
R87F-A1A15LP	100 VAC	85% to 110% rated voltage	50/60	0.170	0.150	11	10	2,100	2,250	2.0	2.1	44	44	36	38
R87F-A3A15LP	115 VAC			0.140	0.120										
R87F-A4A15LP	200 VAC			0.080	0.070										
R87F-A6A15LP	230 VAC			0.070	0.060										

### Characteristics

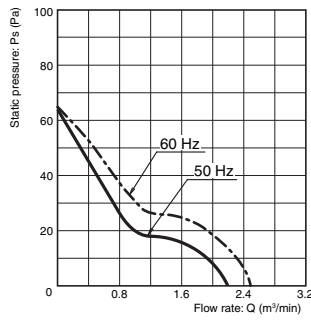
Motor type	Single-phase shading coil induction motor (2-pole, open type)
Terminal type	Terminals
Insulation class	IEC class B (130°C) UL class A (105°C) CSA class A (105°C)
Insulation resistance	100 MΩ min. (at 500 VDC) between all power supply connections and uncharged metal parts.
Insulation withstand voltage	2,000 VAC (1 minute) between all power supply connections and uncharged metal parts.
Ambient operating temperature	-30 to 70°C (no icing)
Ambient storage temperature	-40 to 85°C (no icing)
Ambient humidity	25% to 85%
Protection	Impedance protection
Materials	Frame: Die-cast aluminum Blades: Glass polycarbonate
Bearings	Ball bearings
Weight	Approx. 540 g
Compliant standards	PSE, EN/IEC 60335 (CE marking compliant)
Certified standards	cULus

## Flow Rate and Static Pressure Characteristics (Reference Values)

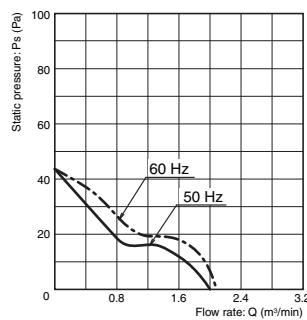
R87F-A□A15HP



R87F-A□A15MP



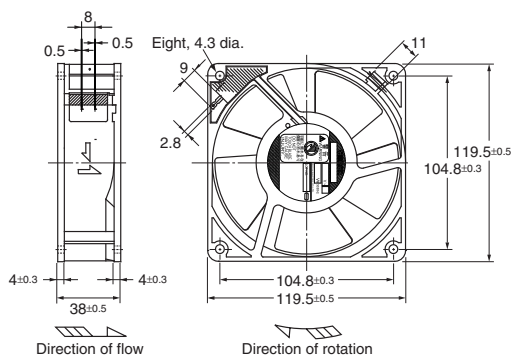
R87F-A□A15LP



**Note:** For details on measurement conditions, refer to *Flow Rate and Static Pressure on Safety Precautions for All Axial Fans*.

## Dimensions

(Unit: mm)



Screw hole for grounding



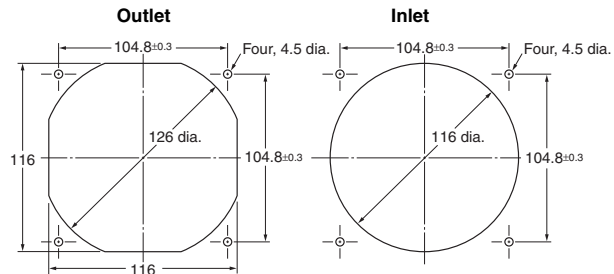
M4 screw: 0.7 pitch

Terminal shape



Faston #110 terminals (or equivalent)

### Panel Cutouts



## Options

Name	Model	Datasheet available
Plug Cord	R87F-PC	Refer to page 24.
Finger Guard	R87F-FG120	Refer to page 25.
Filter	R87F-FL120(S)	Refer to page 26.

ALL DIMENSIONS SHOWN ARE IN MILLIMETERS.

To convert millimeters into inches, multiply by 0.03937. To convert grams into ounces, multiply by 0.03527.

In the interest of product improvement, specifications are subject to change without notice.

# R87T-A□A83

## Specifications

### Ratings and Ordering Information

Note: An asterisk (\*) indicates a nominal value.

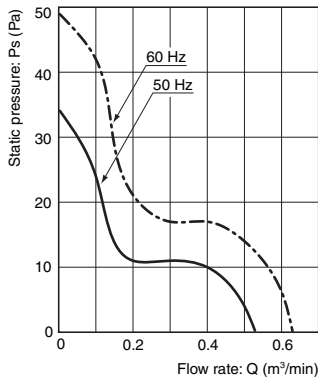
Item Model	Rated voltage (V)	Permitted voltage fluctuation range (%)	Frequency (Hz)	Rated current (A)*		Rated input (W)*		Rated rotational speed (r/min)*		Maximum flow rate (m <sup>3</sup> /min)*		Maximum static pressure (Pa)*		Noise (dB)*	
				50 Hz	60 Hz	50 Hz	60 Hz	50 Hz	60 Hz	50 Hz	60 Hz	50 Hz	60 Hz	50 Hz	60 Hz
R87T-A1A83H	100 VAC	85% to 110% rated voltage	50/60	0.180	0.150	12	11	2,500	3,000	0.5	0.6	34.0	49.0	33	36
R87T-A3A83H	115 VAC			0.150	0.130										
R87T-A4A83H	200 VAC			0.087	0.075										
R87T-A6A83H	230 VAC			0.075	0.065										

### Characteristics

<b>Motor type</b>	Single-phase shading coil induction motor (2-pole, open type)	
<b>Terminal type</b>	Lead wires	
<b>Insulation class</b>	IEC class B (130°C) UL class A (105°C)	
<b>Insulation resistance</b>	100 MΩ min. (at 500 VDC) between all power supply connections and uncharged metal parts.	
<b>Insulation withstand voltage</b>	2,000 VAC (1 minute) between all power supply connections and uncharged metal parts.	
<b>Ambient operating temperature</b>	-20 to 70°C (no icing)	
<b>Ambient storage temperature</b>	-40 to 85°C (no icing)	
<b>Ambient humidity</b>	25% to 85%	
<b>Protection</b>	Impedance protection	
<b>Materials</b>	<b>Frame</b>	Die-cast aluminum
	<b>Blades</b>	Steel plate (black coating)
<b>Bearings</b>	Ball bearings	
<b>Weight</b>	Approx. 330 g	
<b>Standards</b>	EN/IEC 60335 (CE marking compliant)	
<b>Certified standards</b>	UL	

## Flow Rate and Static Pressure Characteristics (Reference Values)

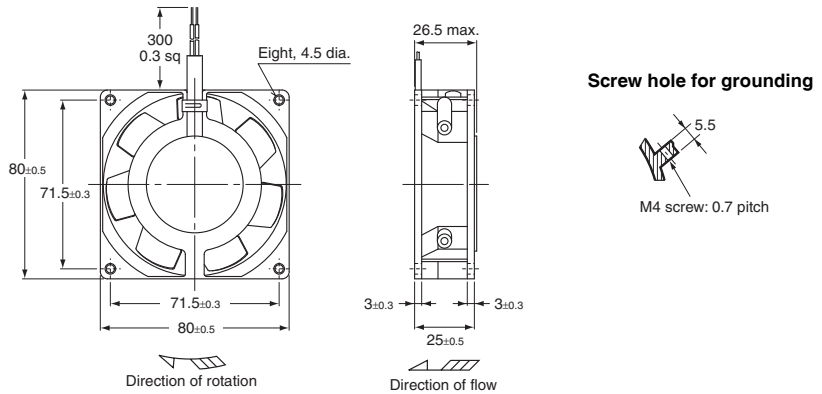
R87T-A □ A83H



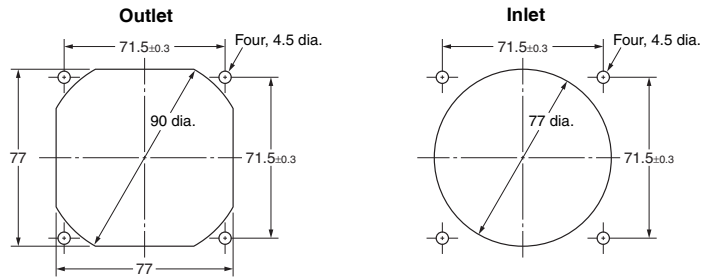
Note: For details on measurement conditions, refer to *Flow Rate and Static Pressure on Safety Precautions for All Axial Fans*.

## Dimensions

(Unit: mm)



### Panel Cutouts



## Options

Name	Model	Datasheet available
Finger Guard	R87F-FG80	Refer to page 25.
Filter	R87F-FL80	Refer to page 26.

ALL DIMENSIONS SHOWN ARE IN MILLIMETERS.  
To convert millimeters into inches, multiply by 0.03937. To convert grams into ounces, multiply by 0.03527.

In the interest of product improvement, specifications are subject to change without notice.

# R87T-A□A85

## Specifications

### Ratings and Ordering Information

Note: An asterisk (\*) indicates a nominal value.

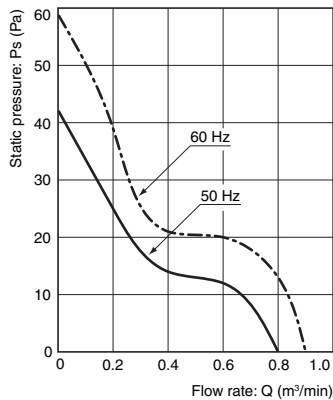
Item Model	Rated voltage (V)	Permitted voltage fluctuation range (%)	Frequency (Hz)	Rated current (A) *		Rated input (W) *		Rated rotational speed (r/min) *		Maximum flow rate (m <sup>3</sup> /min) *		Maximum static pressure (Pa) *		Noise (dB) *	
				50 Hz	60 Hz	50 Hz	60 Hz	50 Hz	60 Hz	50 Hz	60 Hz	50 Hz	60 Hz	50 Hz	60 Hz
R87T-A1A85H	100 VAC	85% to 110% rated voltage	50/60	0.180	0.160	12	10	2,800	3,300	0.80	0.90	42	58	37	40
R87T-A3A85H	115 VAC			0.155	0.135										
R87T-A4A85H	200 VAC			0.085	0.075										
R87T-A6A85H	230 VAC			0.080	0.070										

### Characteristics

<b>Motor type</b>	Single-phase shading coil induction motor (2-pole, open type)
<b>Terminal type</b>	Lead wires
<b>Insulation class</b>	IEC class B (130°C) UL class A (105°C)
<b>Insulation resistance</b>	100 MΩ min. (at 500 VDC) between all power supply connections and uncharged metal parts.
<b>Insulation withstand voltage</b>	2,000 VAC (1 minute) between all power supply connections and uncharged metal parts.
<b>Ambient operating temperature</b>	-20 to 70°C (no icing)
<b>Ambient storage temperature</b>	-40 to 85°C (no icing)
<b>Ambient humidity</b>	25% to 85%
<b>Protection</b>	Impedance protection
<b>Materials</b>	Frame: Die-cast aluminum Blades: Steel plate (black coating)
<b>Bearings</b>	Ball bearings
<b>Weight</b>	Approx. 440 g
<b>Compliant standards</b>	EN/IEC 60335 (CE marking compliant)
<b>Certified standards</b>	UL

## Flow Rate and Static Pressure Characteristics (Reference Values)

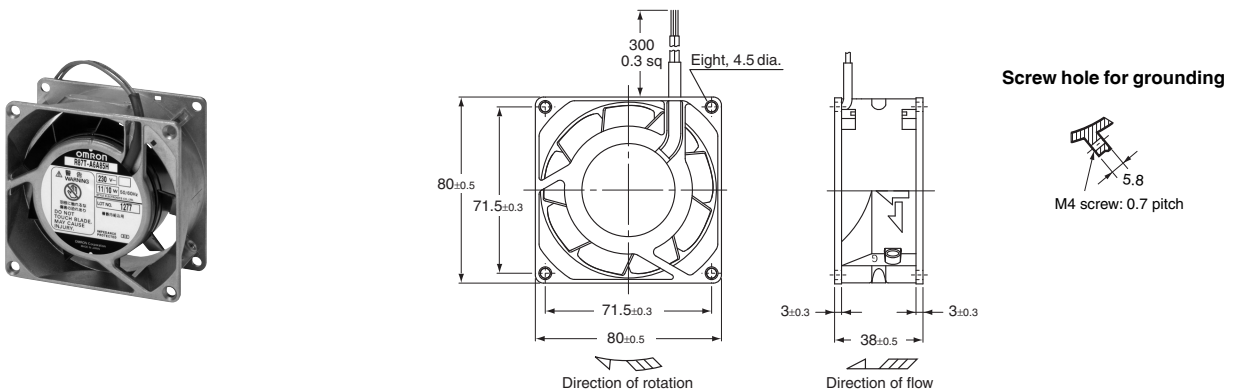
R87T-A□A85H



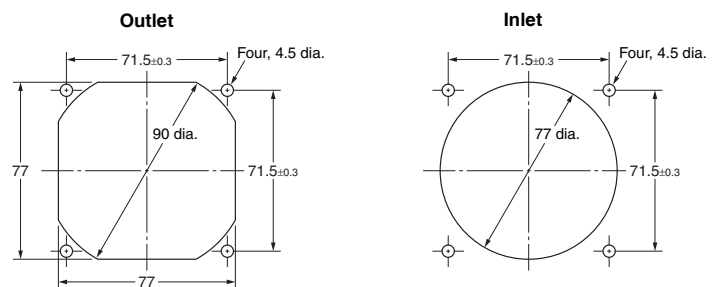
**Note:** For details on measurement conditions, refer to *Flow Rate and Static Pressure on Safety Precautions for All Axial Fans*.

## Dimensions

(Unit: mm)



### Panel Cutouts



## Options

Name	Model	Datasheet available
Finger Guard	R87F-FG80	Refer to page 25.
Filter	R87F-FL80	Refer to page 26.

ALL DIMENSIONS SHOWN ARE IN MILLIMETERS.  
To convert millimeters into inches, multiply by 0.03937. To convert grams into ounces, multiply by 0.03527.

In the interest of product improvement, specifications are subject to change without notice.

# R87T-A□A15

## Specifications

### Ratings and Ordering Information

Note: An asterisk (\*) indicates a nominal value.

Item Model	Rated voltage (V)	Permitted voltage fluctuation range (%)	Frequency (Hz)	Rated current (A) *		Rated input (W) *		Rated rotational speed (r/min) *		Maximum flow rate (m <sup>3</sup> /min) *		Maximum static pressure (Pa) *		Noise (dB) *	
				50 Hz	60 Hz	50 Hz	60 Hz	50 Hz	60 Hz	50 Hz	60 Hz	50 Hz	60 Hz	50 Hz	60 Hz
R87T-A1A15HP	100 VAC	85% to 110% rated voltage	50/60	0.240	0.210	17	16	2,700	3,100	2.6	2.9	80	62	42	46
R87T-A3A15HP	115 VAC			0.210	0.180										
R87T-A4A15HP	200 VAC			0.120	0.110										
R87T-A6A15HP	230 VAC			0.110	0.090										
R87T-A1A15MP	100 VAC	85% to 110% rated voltage	50/60	0.170	0.150	12	11	2,350	2,600	1.8	2.1	42	40	36	40
R87T-A3A15MP	115 VAC			0.140	0.120										
R87T-A4A15MP	200 VAC			0.080	0.070										
R87T-A6A15MP	230 VAC			0.070	0.060										

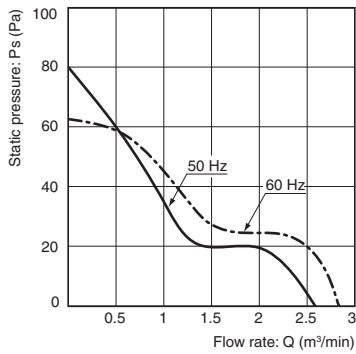
### Characteristics

<b>Motor type</b>	Single-phase shading coil induction motor (2-pole, open type)
<b>Terminal type</b>	Terminals
<b>Insulation class</b>	IEC class B (130°C) UL class A (105°C)
<b>Insulation resistance</b>	100 MΩ min. (at 500 VDC) between all power supply connections and uncharged metal parts.
<b>Insulation withstand voltage</b>	2,000 VAC (1 minute) between all power supply connections and uncharged metal parts.
<b>Ambient operating temperature</b>	-20 to 70°C (no icing)
<b>Ambient storage temperature</b>	-40 to 85°C (no icing)
<b>Ambient humidity</b>	25% to 85%
<b>Protection</b>	Impedance protection
<b>Materials</b>	Frame: Die-cast aluminum Blades: Steel plate (black coating)
<b>Bearings</b>	Ball bearings
<b>Weight</b>	Approx. 540 g
<b>Compliant standards</b>	PSE, EN/IEC 60335 (CE marking compliant)
<b>Certified standards</b>	cULus

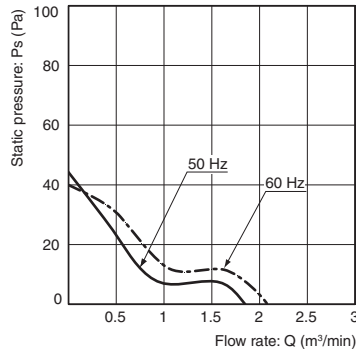


## Flow Rate and Static Pressure Characteristics (Reference Values)

R87T-A□A15HP



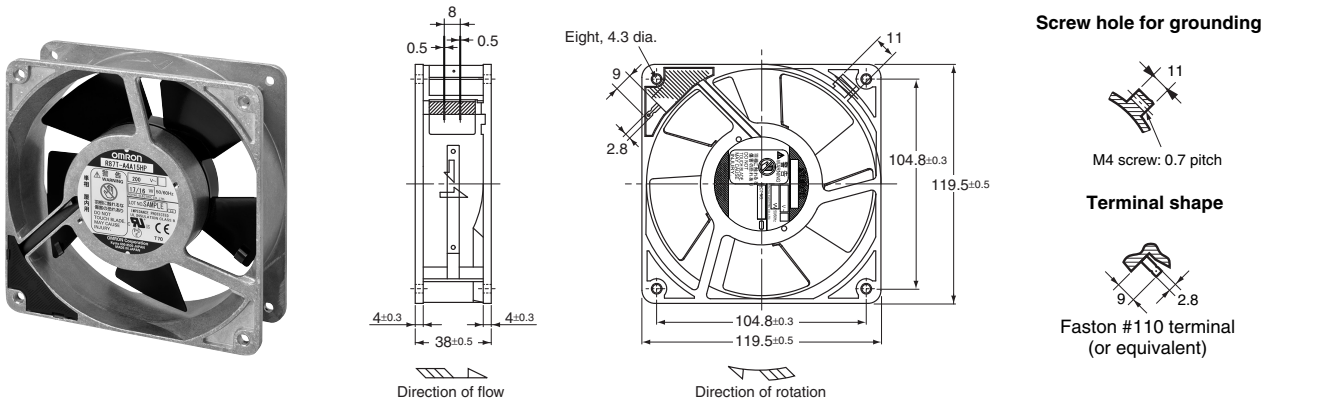
R87T-A□A15MP



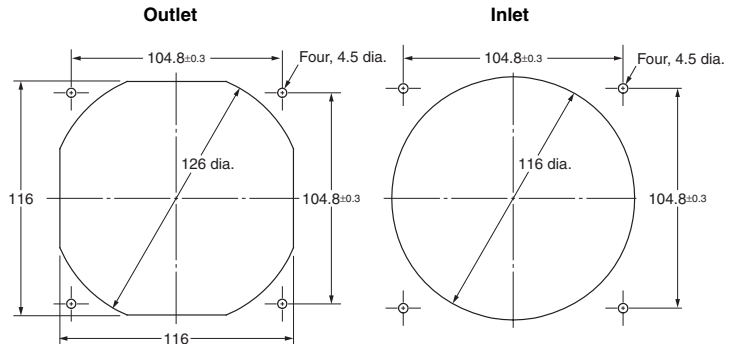
**Note:** For details on measurement conditions, refer to *Flow Rate and Static Pressure on Safety Precautions for All Axial Fans*.

## Dimensions

(Unit: mm)



### Panel Cutouts



## Options

Name	Model	Datasheet available
Plug Cord	R87F-PC	Refer to page 24.
Finger Guard	R87F-FG120	Refer to page 25.
Filter	R87F-FL120(S)	Refer to page 26.

ALL DIMENSIONS SHOWN ARE IN MILLIMETERS.  
To convert millimeters into inches, multiply by 0.03937. To convert grams into ounces, multiply by 0.03527.

In the interest of product improvement, specifications are subject to change without notice.

# R87T-A□A05

## Specifications

### Ratings and Ordering Information

Note: An asterisk (\*) indicates a nominal value.

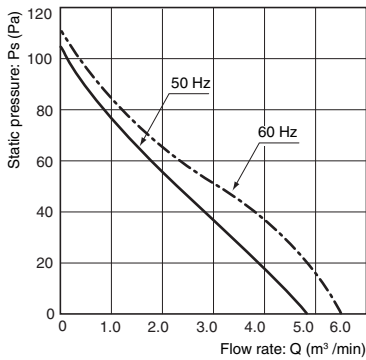
Item Model	Rated voltage (V)	Permitted voltage fluctuation range (%)	Frequency (Hz)	Rated current (A) *		Rated input (W) *		Rated rotational speed (r/min) *		Maximum flow rate (m <sup>3</sup> /min) *		Maximum static pressure (Pa) *		Noise (dB) *	
				50 Hz	60 Hz	50 Hz	60 Hz	50 Hz	60 Hz	50 Hz	60 Hz	50 Hz	60 Hz	50 Hz	60 Hz
R87T-A1A05H	100 VAC	85% to 110% rated voltage	50/60	0.550	0.460	50	48	2,650	3,100	4.8	5.7	104	107	56	58
R87T-A3A05H	115 VAC			0.470	0.390										
R87T-A4A05H	200 VAC			0.260	0.220										
R87T-A6A05H	230 VAC			0.220	0.190										

### Characteristics

<b>Motor type</b>	Single-phase shading coil induction motor (2-pole, open type)
<b>Terminal type</b>	Lead wires
<b>Insulation class</b>	IEC class B (130°C) UL class A (105°C)
<b>Insulation resistance</b>	100 MΩ min. (at 500 VDC) between all power supply connections and uncharged metal parts.
<b>Insulation withstand voltage</b>	2,000 VAC (1 minute) between all power supply connections and uncharged metal parts.
<b>Ambient operating temperature</b>	-20 to 70°C (no icing)
<b>Ambient storage temperature</b>	-40 to 85°C (no icing)
<b>Ambient humidity</b>	25% to 85%
<b>Protection</b>	Thermal protection
<b>Materials</b>	Frame: Die-cast aluminum Blades: Steel plate (mat black baked coating)
<b>Bearings</b>	Ball bearings
<b>Weight</b>	Approx. 840 g
<b>Compliant standards</b>	EN/IEC 60335 (CE marking compliant)
<b>Certified standards</b>	UL

## Flow Rate and Static Pressure Characteristics (Reference Value)

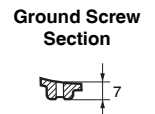
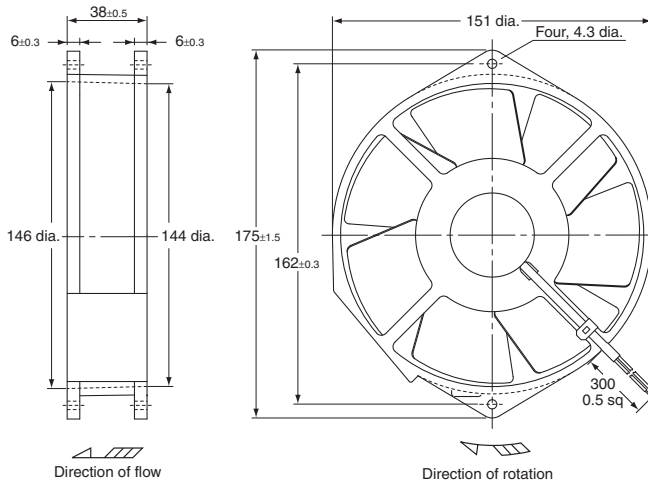
R87T-A□A05H



Note: For details on measurement conditions, refer to *Flow Rate and Static Pressure on Safety Precautions for All Axial Fans*.

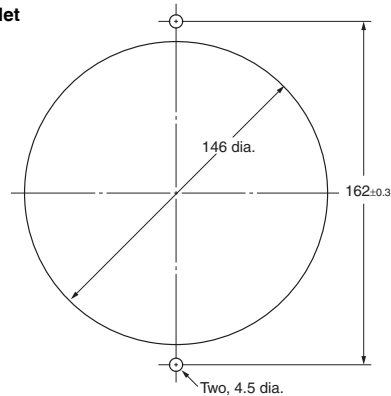
## Dimensions

(Unit: mm)



### Panel Cutouts

### Outlet and Inlet



## Options

Name	Model	Datasheet available
Finger Guard	R87F-FG150	Refer to page 25.

ALL DIMENSIONS SHOWN ARE IN MILLIMETERS.  
To convert millimeters into inches, multiply by 0.03937. To convert grams into ounces, multiply by 0.03527.

In the interest of product improvement, specifications are subject to change without notice.

# R87T-A□A07

## Specifications

### Ratings and Ordering Information

Note: An asterisk (\*) indicates a nominal value.

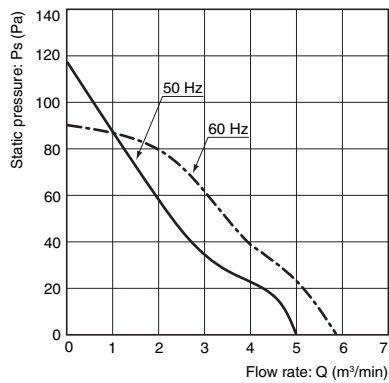
Item Model	Rated voltage (V)	Permitted voltage fluctuation range (%)	Frequency (Hz)	Rated current (A) *		Rated input (W) *		Rated rotational speed (r/min) *		Maximum flow rate (m <sup>3</sup> /min) *		Maximum static pressure (Pa) *		Noise (dB) *	
				50 Hz	60 Hz	50 Hz	60 Hz	50 Hz	60 Hz	50 Hz	60 Hz	50 Hz	60 Hz	50 Hz	60 Hz
R87T-A1A07H	100 VAC	85% to 110% rated voltage	50/60	0.480	0.420	43	40	2,800	3,250	5.0	5.8	118	88	52	56
R87T-A3A07H	115 VAC			0.420	0.370										
R87T-A4A07H	200 VAC			0.240	0.210										
R87T-A6A07H	230 VAC			0.210	0.190										

### Characteristics

<b>Motor type</b>	Single-phase shading coil induction motor (2-pole, open type)
<b>Terminal type</b>	Lead wires
<b>Insulation class</b>	IEC class B (130°C) UL class A (105°C)
<b>Insulation resistance</b>	100 MΩ min. (at 500 VDC) between all power supply connections and uncharged metal parts.
<b>Insulation withstand voltage</b>	2,000 VAC (1 minute) between all power supply connections and uncharged metal parts.
<b>Ambient operating temperature</b>	-20 to 70°C (no icing)
<b>Ambient storage temperature</b>	-40 to 85°C (no icing)
<b>Ambient humidity</b>	25% to 85%
<b>Protection</b>	Thermal protection
<b>Materials</b>	Frame: Die-cast aluminum Blades: Steel plate (black coating)
<b>Bearings</b>	Ball bearings
<b>Weight</b>	Approx. 1,200 g
<b>Compliant standards</b>	EN/IEC 60335 (CE marking compliant)
<b>Certified standards</b>	UL

## Flow Rate and Static Pressure Characteristics (Reference Value)

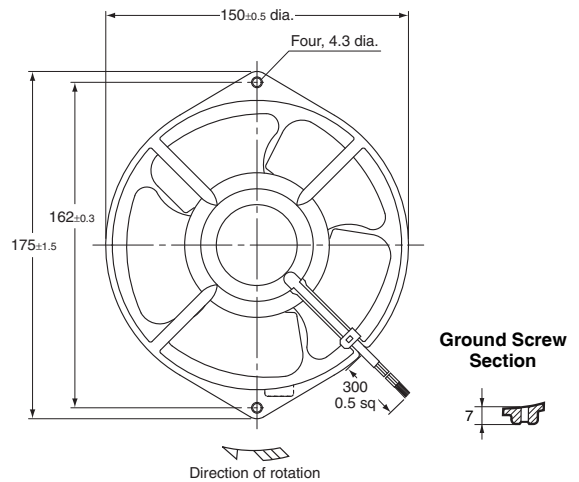
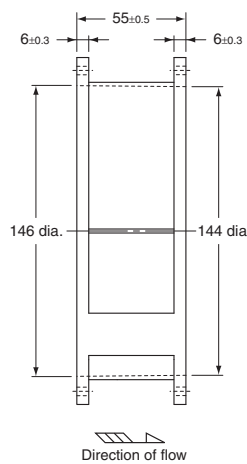
R87T-A□A07H



**Note:** For details on measurement conditions, refer to *Flow Rate and Static Pressure on Safety Precautions for All Axial Fans*.

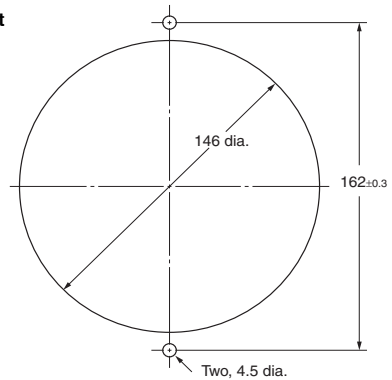
## Dimensions

(Unit: mm)



### Panel Cutouts

### Outlet and Inlet



## Options

Name	Model	Datasheet available
Finger Guard	R87F-FG150	Refer to page 25.

ALL DIMENSIONS SHOWN ARE IN MILLIMETERS.  
To convert millimeters into inches, multiply by 0.03937. To convert grams into ounces, multiply by 0.03527.

In the interest of product improvement, specifications are subject to change without notice.

# R87T-A□A15H-WR

## Specifications

### Ratings and Ordering Information

Note: An asterisk (\*) indicates a nominal value.

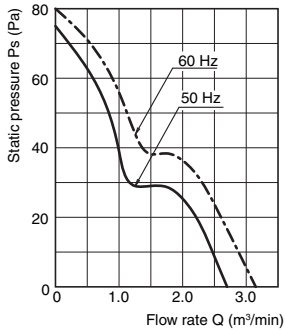
Item Model	Rated voltage (V)	Permitted voltage fluctuation range (%)	Frequency (Hz)	Rated current (A) *		Rated input (W) *		Rated rotational speed (r/min) *		Maximum flow rate (m <sup>3</sup> /min) *		Maximum static pressure (Pa) *		Noise (dB) *	
				50 Hz	60 Hz	50 Hz	60 Hz	50 Hz	60 Hz	50 Hz	60 Hz	50 Hz	60 Hz	50 Hz	60 Hz
R87T-A1A15H-WR	100 VAC	85% to 110% rated voltage	50/60	0.350	0.280	22	20	2,550	2,900	2.7	3.2	75.0	80.0	42	46
R87T-A3A15H-WR	115 VAC			0.300	0.240										
R87T-A4A15H-WR	200 VAC			0.170	0.135										
R87T-A6A15H-WR	200 to 230 VAC			0.145	0.115	15 to 22									

### Characteristics

<b>Motor type</b>	Single-phase shading coil induction motor (2-pole, open type)	
<b>Terminal type</b>	Lead wires	
<b>Insulation class</b>	IEC class B (130°C) UL class A (105°C) CSA class A (105°C)	
<b>Insulation resistance</b>	100 MΩ min. (at 500 VDC) between all power supply connections and uncharged metal parts.	
<b>Insulation withstand voltage</b>	2,000 VAC (1 minute) between all power supply connections and uncharged metal parts.	
<b>Degree of protection</b>	IP X7	
<b>Ambient operating temperature</b>	-40 to 70°C (no icing)	
<b>Ambient storage temperature</b>	-40 to 85°C (no icing)	
<b>Ambient humidity</b>	95% max.	
<b>Protection</b>	Impedance protection	
<b>Materials</b>	<b>Frame</b>	Die-cast aluminum Black coating
	<b>Blades</b>	Zinc die-cast
<b>Bearings</b>	Ball bearings	
<b>Weight</b>	Approx. 650 g	
<b>Standards</b>	EN/IEC 60335 (CE marking compliant)	
<b>Certified standards</b>	cUL	

## Flow Rate and Static Pressure Characteristics (Reference Values)

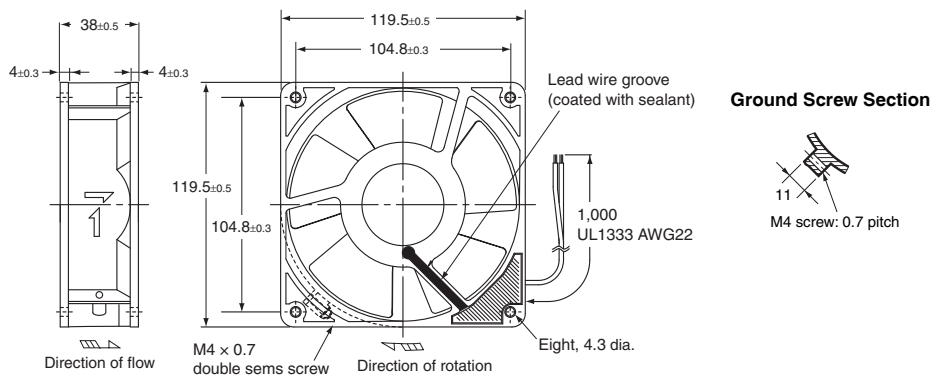
R87T-A□A15H-WR



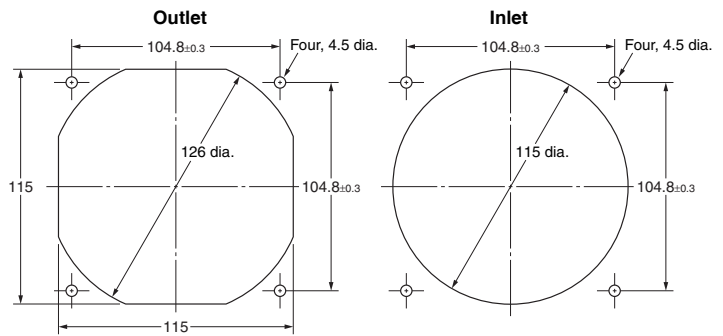
**Note:** For details on measurement conditions, refer to *Flow Rate and Static Pressure on Safety Precautions for All Axial Fans*.

## Dimensions

(Unit: mm)



### Panel Cutouts



## Options

Name	Model	Page number
Finger Guard	R87F-FG120	Refer to page 25.
Filter	R87F-FL120(S)	Refer to page 26.

ALL DIMENSIONS SHOWN ARE IN MILLIMETERS.  
To convert millimeters into inches, multiply by 0.03937. To convert grams into ounces, multiply by 0.03527.

In the interest of product improvement, specifications are subject to change without notice.

# Plug Cord R87F-PC

## Accessories (Order Separately)

### Available Models

Cord length	Model number	Weight (g)
1 m	R87F-PC	39
2 m	R87F-PC-20	69

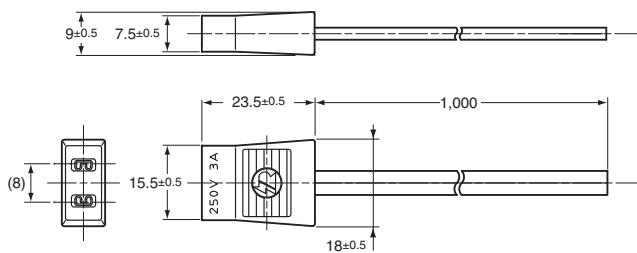
**R87F-PC Rating: 250 VAC, 3 A**  
UL-certified Plug Cord



## Dimensions

(Unit: mm)

### R87F-PC



Connectable to Faston #110 terminals (or equivalent).

**Note:** This Plug Cord is used for Axial Fans with terminals.

ALL DIMENSIONS SHOWN ARE IN MILLIMETERS.  
To convert millimeters into inches, multiply by 0.03937. To convert grams into ounces, multiply by 0.03527.

In the interest of product improvement, specifications are subject to change without notice.



## Accessories (Order Separately)

### Available Models

Size	Model number	Weight (g)
150 dia.	R87F-FG150	Approx. 58
120 × 120	R87F-FG120	Approx. 45
92 × 92	R87F-FG90	Approx. 25
80 × 80	R87F-FG80	Approx. 20

### Applicable Axial Fans

AC Axial Fan		Finger Guard
Size	Model	
150 dia.	R87T-A□A0 Series	R87F-FG150
120 × 120	R89F-DS1225□ series	R87F-FG120
	R89F-DS1238□ series	
	R89F-MS1238HP	
	R87F-A□A1 Series	
	R87T-A□A1 Series	
90 × 90	R89F-MS0938□P series	R87F-FG90
92 × 92	R87F-A□A9 Series	R87F-FG90
80 × 80	R87F-A□A8 Series	R87F-FG80
	R87T-A□A8 Series	

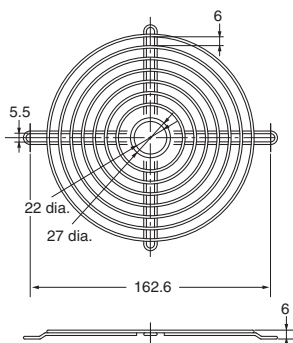
**Note:** Finger Guards reduce the flow rate by approximately 2% to 5%.

## Dimensions

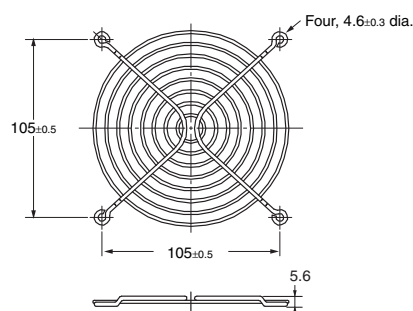
(Unit: mm)

Material: steel, Joints: spot welded, Surface: nickel-chrome plated

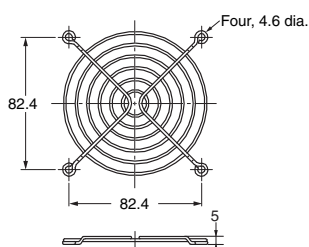
### R87F-FG150



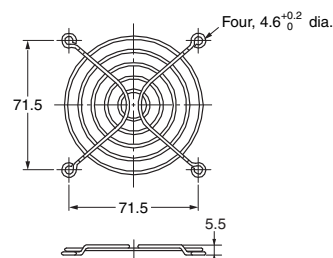
### R87F-FG120



### R87F-FG90



### R87F-FG80



ALL DIMENSIONS SHOWN ARE IN MILLIMETERS.

To convert millimeters into inches, multiply by 0.03937. To convert grams into ounces, multiply by 0.03527.

In the interest of product improvement, specifications are subject to change without notice.

# R87F-FL

## Accessories (Order Separately)

### Available Models

Filter	Size	Model number	Weight (g)
	120 × 120	R87F-FL120	Approx. 43
	92 × 92	R87F-FL90	Approx. 30
	80 × 80	R87F-FL80	Approx. 21
	120 × 120	R87F-FL120S	Approx. 19

**Note:** The filter contains one medium.

### Media

Size	Model number
120 × 120	R87F-FL120-M120
92 × 92	R87F-FL90-M90
80 × 80	R87F-FL80-M80

**Note:** Use the following model number to order the Media only.

R87F-FL□-M□ (□: 120, 90, or 80)

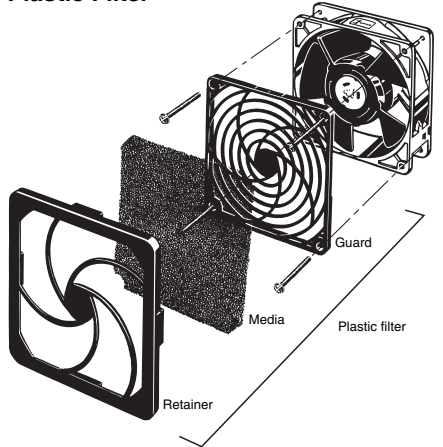
(One set containing five Media, weight: 5 g max.)

### Applicable Axial Fans

Size	AC Axial Fan Model	Filter	
		Plastic	Aluminum
150 dia.	R87T-A□A0 Series	---	---
	R89F-DS1225□ series	R87F-FL120	R87F-FL120S
	R89F-DS1238□ series		
	R89F-MS1238HP		
R87F-A□A1 Series R87T-A□A1 Series			
92 × 92	R87F-A□A9 Series	R87F-FL90	---
80 × 80	R87F-A□A8 Series	R87F-FL80	---
	R87T-A□A8 Series		

**Note:** Filters reduce the flow rate by approximately 20% to 40%. Ensure that there is no clogging.

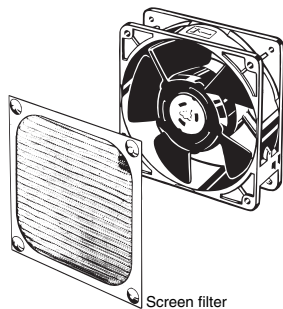
#### R87F-FL□ Plastic Filter



#### Mounting Method

1. Attach the guard to the Fan using the mounting bolts. (There are no mounting bolts provided with the Plastic Filter.)
2. With the media held between the retainer and the guard, hook the retainer to the guard. (The Media and retainer can be one-touch mounted/dismounted.)

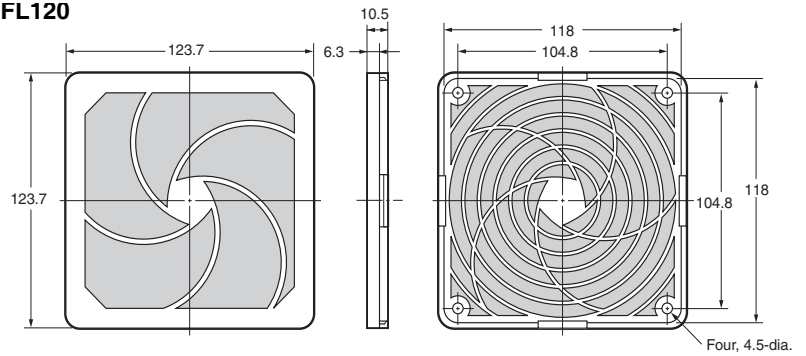
#### R87F-FL120S Screen Filter



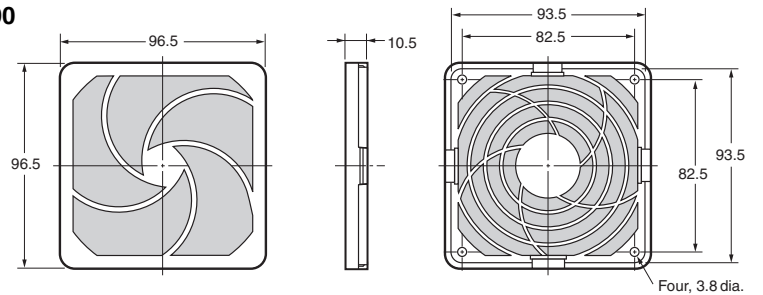
## Dimensions

(Unit: mm)

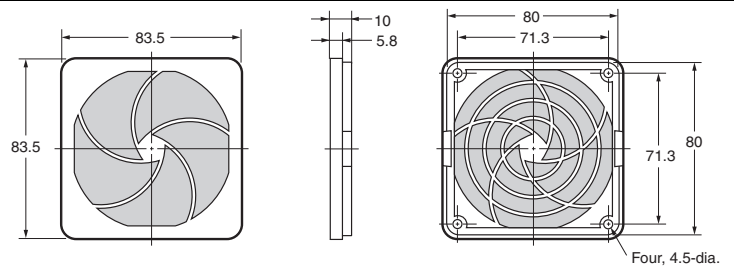
#### R87F-FL120



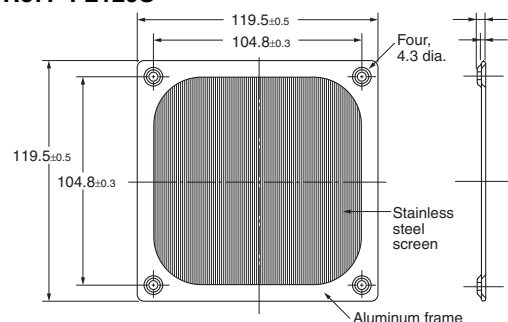
#### R87F-FL90



#### R87F-FL80



#### R87F-FL120S



- Note:**
1. The Screen Filter is made using aluminium and has an **EM/RFI** shielding effect.
  2. When mounting the Screen Filter, make sure that it does not come in contact with the fan blades.
  3. The screen is a 30 × 30 aluminum mesh. (30 aluminum wires per inch)

ALL DIMENSIONS SHOWN ARE IN MILLIMETERS.  
To convert millimeters into inches, multiply by 0.03937. To convert grams into ounces, multiply by 0.03527.

In the interest of product improvement, specifications are subject to change without notice.

## Terms and Conditions Agreement

### Read and understand this catalog.

Please read and understand this catalog before purchasing the products. Please consult your OMRON representative if you have any questions or comments.

### Warranties.

(a) Exclusive Warranty. Omron's exclusive warranty is that the Products will be free from defects in materials and workmanship for a period of twelve months from the date of sale by Omron (or such other period expressed in writing by Omron). Omron disclaims all other warranties, express or implied.

(b) Limitations. OMRON MAKES NO WARRANTY OR REPRESENTATION, EXPRESS OR IMPLIED, ABOUT NON-INFRINGEMENT, MERCHANTABILITY OR FITNESS FOR A PARTICULAR PURPOSE OF THE PRODUCTS. BUYER ACKNOWLEDGES THAT IT ALONE HAS DETERMINED THAT THE PRODUCTS WILL SUITABLY MEET THE REQUIREMENTS OF THEIR INTENDED USE.

Omron further disclaims all warranties and responsibility of any type for claims or expenses based on infringement by the Products or otherwise of any intellectual property right. (c) Buyer Remedy. Omron's sole obligation hereunder shall be, at Omron's election, to (i) replace (in the form originally shipped with Buyer responsible for labor charges for removal or replacement thereof) the non-complying Product, (ii) repair the non-complying Product, or (iii) repay or credit Buyer an amount equal to the purchase price of the non-complying Product; provided that in no event shall Omron be responsible for warranty, repair, indemnity or any other claims or expenses regarding the Products unless Omron's analysis confirms that the Products were properly handled, stored, installed and maintained and not subject to contamination, abuse, misuse or inappropriate modification. Return of any Products by Buyer must be approved in writing by Omron before shipment. Omron Companies shall not be liable for the suitability or unsuitability or the results from the use of Products in combination with any electrical or electronic components, circuits, system assemblies or any other materials or substances or environments. Any advice, recommendations or information given orally or in writing, are not to be construed as an amendment or addition to the above warranty.

See <http://www.omron.com/global/> or contact your Omron representative for published information.

### Limitation on Liability: Etc.

OMRON COMPANIES SHALL NOT BE LIABLE FOR SPECIAL, INDIRECT, INCIDENTAL, OR CONSEQUENTIAL DAMAGES, LOSS OF PROFITS OR PRODUCTION OR COMMERCIAL LOSS IN ANY WAY CONNECTED WITH THE PRODUCTS, WHETHER SUCH CLAIM IS BASED IN CONTRACT, WARRANTY, NEGLIGENCE OR STRICT LIABILITY.

Further, in no event shall liability of Omron Companies exceed the individual price of the Product on which liability is asserted.

### Suitability of Use.

Omron Companies shall not be responsible for conformity with any standards, codes or regulations which apply to the combination of the Product in the Buyer's application or use of the Product. At Buyer's request, Omron will provide applicable third party certification documents identifying ratings and limitations of use which apply to the Product. This information by itself is not sufficient for a complete determination of the suitability of the Product in combination with the end product, machine, system, or other application or use. Buyer shall be solely responsible for determining appropriateness of the particular Product with respect to Buyer's application, product or system. Buyer shall take application responsibility in all cases.

NEVER USE THE PRODUCT FOR AN APPLICATION INVOLVING SERIOUS RISK TO LIFE OR PROPERTY OR IN LARGE QUANTITIES WITHOUT ENSURING THAT THE SYSTEM AS A WHOLE HAS BEEN DESIGNED TO ADDRESS THE RISKS, AND THAT THE OMRON PRODUCT(S) IS PROPERLY RATED AND INSTALLED FOR THE INTENDED USE WITHIN THE OVERALL EQUIPMENT OR SYSTEM.

### Programmable Products.

Omron Companies shall not be responsible for the user's programming of a programmable Product, or any consequence thereof.

### Performance Data.

Data presented in Omron Company websites, catalogs and other materials is provided as a guide for the user in determining suitability and does not constitute a warranty. It may represent the result of Omron's test conditions, and the user must correlate it to actual application requirements. Actual performance is subject to the Omron's Warranty and Limitations of Liability.

### Change in Specifications.

Product specifications and accessories may be changed at any time based on improvements and other reasons. It is our practice to change part numbers when published ratings or features are changed, or when significant construction changes are made. However, some specifications of the Product may be changed without any notice. When in doubt, special part numbers may be assigned to fix or establish key specifications for your application. Please consult with your Omron's representative at any time to confirm actual specifications of purchased Product.

### Errors and Omissions.

Information presented by Omron Companies has been checked and is believed to be accurate; however, no responsibility is assumed for clerical, typographical or proofreading errors or omissions.