

D-Sub Connectors

XM3

XM3 Series

D-Sub Connectors That Are Ideal for Office Equipment Interfaces

- Shielded against EMI.
- Compact, robust connectors with metal shells.
- Anchors and Grounding Fixtures are available.

RoHS Compliant



Slim Models Join the XM2-L/XM3-L Series

Refer to page 7 for detailed specifications.

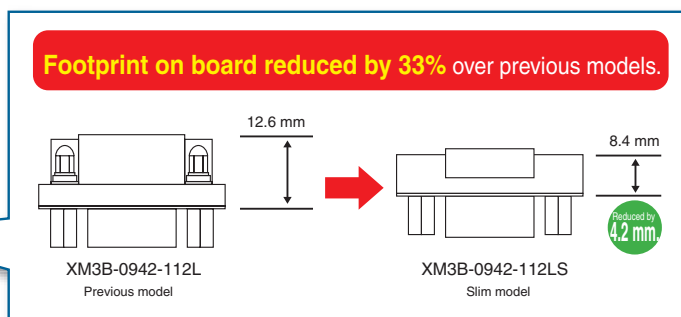
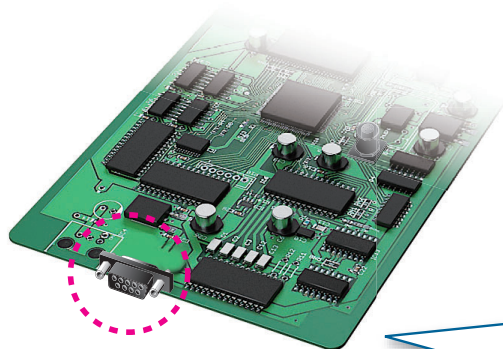
XM3B-LS

Space-saving 9-pin Slim D-sub Socket Connectors for Boards

- Board mounting area is reduced by 33% (compared with previous models) using depth of 8.4 mm.
- D-sub sockets with nine right-angle DIP terminals.
- Mounting board thickness of either 1.6 mm or 1.0 mm (from difference in lock pin structure).

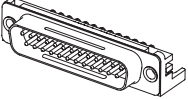
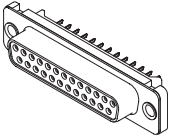
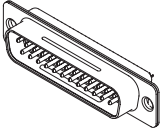
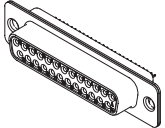


NEW



XM3 Series

Connectors

Model	XM3C	XM3F	XM3A	XM3D
Appearance	Plugs with Right-angle DIP Terminals 	Sockets with Straight DIP Terminals 	Plugs with Solder Cup Terminals 	Sockets with Solder Cup Terminals 

Ratings and Characteristics

Item	Model Plugs with Solder Cup Terminals: XM3A Plugs with Right-angle DIP Terminals: All XM3C models except those with 37 pins XM3C-0922-□□□ XM3C-1522-□□□ XM3C-2522-□□□ Sockets with Solder Cup Terminals: XM3D Sockets with Straight DIP Terminals: XM3F	Plugs with Right-angle DIP Terminals: XM3C models with 37 pins XM3C-3722-□□□
Rated current	5 A	3 A
Rated voltage	300 VAC	
Contact resistance	15 mΩ max. (at 20 mVDC, 100 mA max.)	
Insulation resistance	1,000 MΩ min. (at 500 V DC)	
Withstand voltage	1,000 VAC for 1 min (leakage current: 1 mA max.)	
Total insertion force	Number of pins × 3.33 N max	
Individual pull-out force	0.29 N min. (for gauge diameter of 0.99 mm)	
Insertion durability	200 times	
Operating temperature	-55°C to 105°C (with no icing)	
Shield effectiveness (electrical field method)	Mounted in panel: 25 dB min. (30 to 900 MHz) Mounted on board: 20 dB min. (30 to 300 MHz)	

Materials and Finish

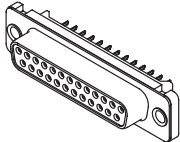
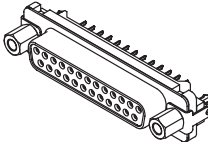
Item	Model	XM3C	XM3F	XM3A	XM3D
Housing		Fiber-glass reinforced PBT resin (UL94V-0)/black		Fiber-glass reinforced PBT resin (UL94V-0)/Milky white	
Contacts	Mating end	Phosphor bronze/nickel base, gold plated (0.4 μm)		Bronze/nickel base, gold plated (0.4 μm)	Phosphor bronze/nickel base, gold plated (0.4 μm)
	Terminals	Phosphor bronze/nickel base, tin plated (3 μm)		Bronze/nickel base, tin plated (3 μm)	Phosphor bronze/nickel base, tin plated (3 μm)
Shell		Steel/nickel			

Applicable Wires

The applicable wires for solder cup terminals are AWG 22 to 28 (solid or stranded).

XM3F Sockets with Straight DIP Terminals

Ordering Information

Appearance	No Anchor or Grounding Fixture	Anchor and Lock Pin Grounding Fixture	Minimum ordering quantity (pieces)
			
No. of contacts			
9	XM3F-0920	XM3F-0920-112	90
15	XM3F-1520	XM3F-1520-112	70
25	XM3F-2520	XM3F-2520-112	50
37	XM3F-3720	XM3F-3720-112	40

Dimensions

(Unit: mm)

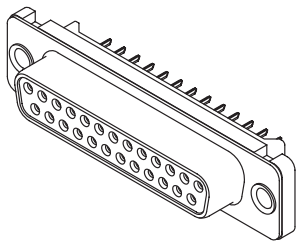
●Straight DIP Terminals

XM3F-□□20

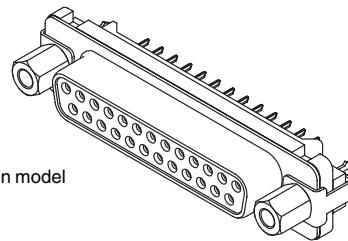
(No Anchor or Grounding Fixture)

XM3F-□□20-112

(Anchor, Long Pin Grounding Fixture Included)



The illustration on the left is for the 25-pin model (no Anchor or Grounding Fixture).



The illustration on the left is for the 25-pin model (Anchor and Grounding Fixture).

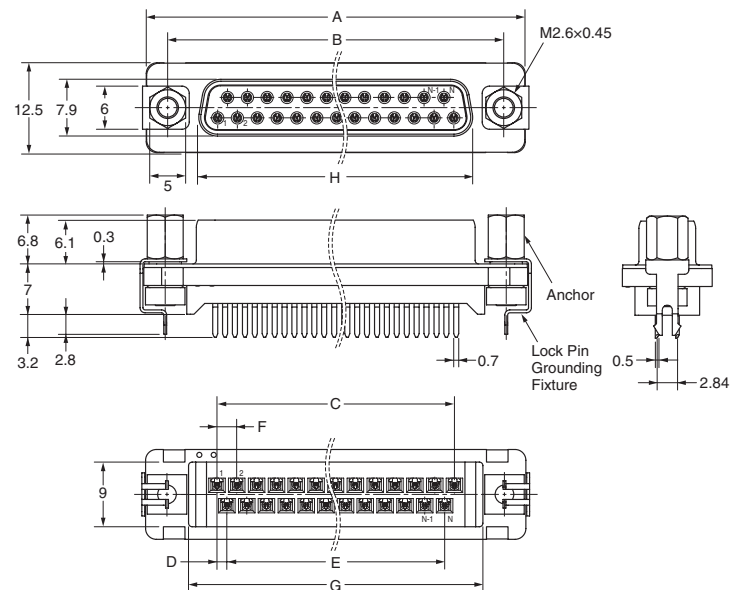
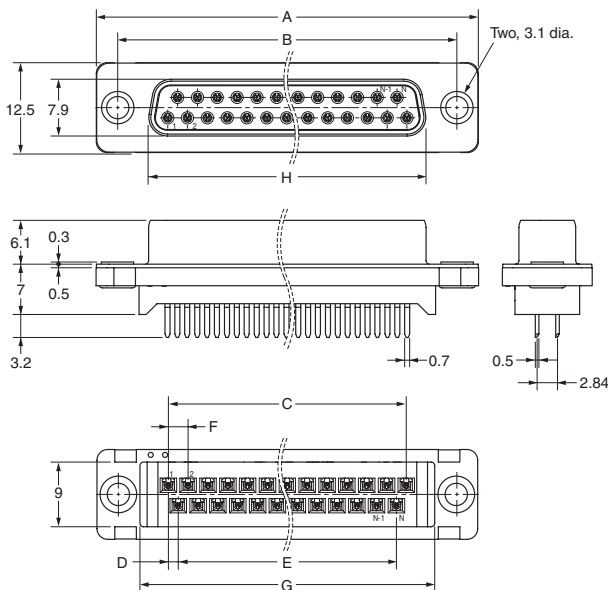


Table of Dimensions

Dimensions (mm)	A	B	C	D	E	F	G	H
No. of contacts								
9	30.7	24.99	10.98	1.37	8.22	2.74	19.00	16.33
15	39.0	33.32	19.20	1.37	16.44	2.74	27.12	24.66
25	52.9	47.04	33.12	1.38	30.36	2.76	41.04	38.38
37	69.2	63.50	49.68	1.38	46.92	2.76	57.60	54.84

Mounting Holes
(t=1.6mm, Bottom View)

