

Waterproof Miniature Illuminated Rocker

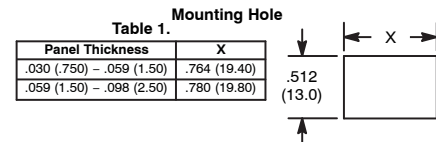
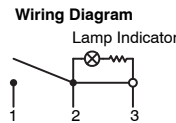
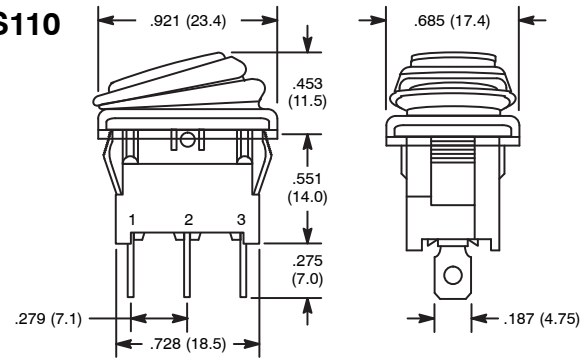


Features

- **Waterproof:** IP65
- **Single Pole**
- **.187" Quick Connect Terminals**



S110



NTE Type No.	Circuitry	Action			Actuator				Diag No.
					Material	Color		Vltg	
						Neon	LED		
<i>NEW</i> 54-200W	SPST	ON	NONE	OFF	PC	Red	-	AC	S110
<i>NEW</i> 54-201W	SPST	ON	NONE	OFF	PC	-	Red	DC	S110
<i>NEW</i> 54-202W*	SPDT	ON	NONE	ON	PC	Black		N/A	S110
<i>NEW</i> 54-203W	SPST	ON	NONE	OFF	PC	Green	-	AC	S110
<i>NEW</i> 54-204W	SPST	ON	NONE	OFF	PC	-	Green	DC	S110

* Designates Non-Illuminated Type

Specifications

Current Rating: 16A 125VAC 1/3 HP, 10A 250VAC 1/2 HP
Lamp Voltage: 110V Neon (AC) & 12V LED (DC)
Insulation Resistance: 100 Megohms (min.) at 500VDC
Dielectric Strength: 1000V RMS (min.)
Temperature Rating: +32° to +185°F (0° to +85°C)
Electrical Life: 10,000 cycles
Mechanical Life: 50,000 cycles at full load
Terminal Type: .187" Tab Q.C.
Mounting Hole: See Table 1

Waterproof Round Illuminated Rocker

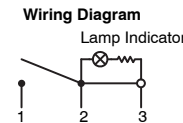
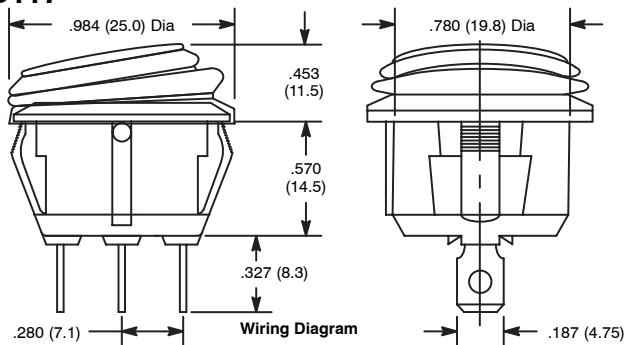


Features

- **Waterproof:** IP65
- **Single Pole**
- **.187" Quick Connect Terminals**



S117



NTE Type No.	Circuitry	Action			Actuator				Diag No.
					Material	Color		Vltg	
						Neon	LED		
<i>NEW</i> 54-503W*	SPST	ON	NONE	OFF	Nylon	Black		N/A	S117
<i>NEW</i> 54-526W	SPST	ON	NONE	OFF	Nylon	Green	-	AC	S117
<i>NEW</i> 54-527W	SPST	ON	NONE	OFF	Nylon	-	Red	DC	S117
<i>NEW</i> 54-529W	SPST	ON	NONE	OFF	Nylon	-	Green	DC	S117
<i>NEW</i> 54-531W	SPST	ON	NONE	OFF	Nylon	Red	-	AC	S117

* Designates Non-Illuminated Type

Specifications

Current Rating: 16A 125VAC, 10A 250VAC
Lamp Voltage: 110V Neon (AC) & 12V LED (DC)
Insulation Resistance: 100 Megohms (min.) at 500VDC
Dielectric Strength: 1500V RMS (min.)
Temperature Rating: +32° to +185°F (0° to +85°C)
Electrical Life: 10,000 cycles
Mechanical Life: 50,000 cycles at full load
Terminal Type: .187" Tab Q.C.
Mounting Hole: .795 (20.2)

Waterproof Round Illuminated Rocker

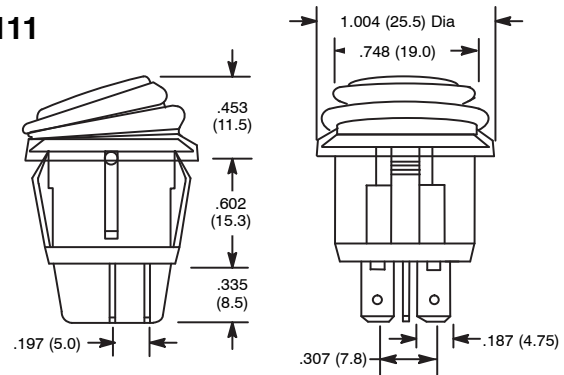


Features

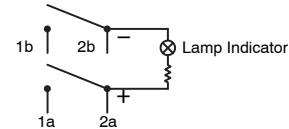
- Waterproof: IP65
- Double Pole
- .187" Quick Connect Terminals



S111



Wiring Diagram



Specifications

Current Rating: 16A 125VAC, 10A 250VAC
Lamp Voltage: 110V Neon (AC) & 12V LED (DC)
Insulation Resistance: 100 Megohms (min.) at 500VDC
Dielectric Strength: 1500V RMS (min.)
Temperature Rating: +32° to +185°F (0° to +85°C)
Electrical Life: 10,000 cycles
Mechanical Life: 50,000 cycles at full load
Terminal Type: .187" Tab Q.C.
Mounting Hole: .795 (20.2)

NTE Type No.	Circuitry	Action			Actuator				Diag No.
					Material	Color		Vltg	
						Neon	LED		
NEW 54-205W	DPST	ON	NONE	OFF	PC	Red	-	AC	S111
NEW 54-206W	DPST	ON	NONE	OFF	PC	-	Red	DC	S111
NEW 54-209W	DPST	ON	NONE	OFF	PC	Green	-	AC	S111
NEW 54-210W	DPST	ON	NONE	OFF	PC	-	Green	DC	S111
NEW 54-211W*	DPST	ON	NONE	OFF	PC	Black	-	N/A	S111

* Designates Non-Illuminated Type

Waterproof Miniature Illuminated Rocker

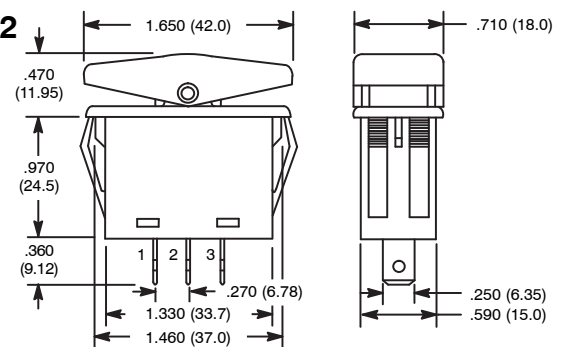


Features

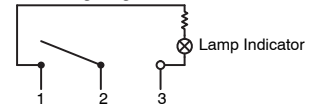
- Waterproof: IP66
- Single Pole
- .250" Quick Connect Terminals



S112



Wiring Diagram



Specifications

Current Rating: 20A 125VAC 1/3 HP, 10A 250VAC 3/4 HP, 20A 14VAC, 10A 24VAC
Lamp Voltage: 110V Neon (AC) & 12V LED (DC)
Insulation Resistance: 100 Megohms (min.) at 500VDC
Dielectric Strength: 1500V RMS (min.)
Temperature Rating: +32° to +185°F (0° to +85°C)
Electrical Life: 10,000 cycles
Mechanical Life: 50,000 cycles at full load
Terminal Type: .250" Tab Q.C.
Mounting Hole: 1.450 (36.8) x .600 (15.2)

NTE Type No.	Circuitry	Action			Actuator				Diag No.
					Material	Color		Vltg	
						Neon	LED		
NEW 54-215W	SPST	ON	NONE	OFF	PC	Red	-	AC	S112
NEW 54-216W	SPST	ON	NONE	OFF	PC	-	Red	DC	S112
NEW 54-219W	SPST	ON	NONE	OFF	PC	Green	-	AC	S112
NEW 54-220W	SPST	ON	NONE	OFF	PC	-	Green	DC	S112
NEW 54-221W*	SPST	ON	NONE	OFF	PC	Black	-	N/A	S112

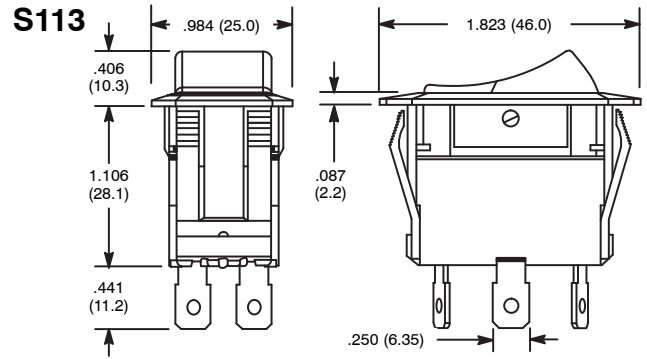
* Designates Non-Illuminated Type

Waterproof Illuminated Rocker



Features

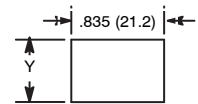
- **Waterproof:** IP66
- **Single and Double Pole**
- **Available in Single and Dual Color Types**
- **.250" Quick Connect Terminals**



Mounting Hole

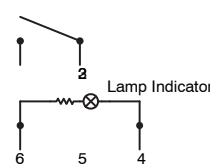
Table 1.

Panel Thickness	Y
.030 (.750) - .049 (1.25)	1.441 (36.6)
.049 (1.25) - .079 (2.00)	1.449 (36.8)
.079 (2.00) - .118 (3.00)	1.457 (37.0)

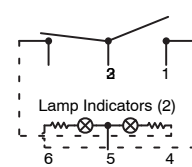


Wiring Diagram

SPST



SPDT



NTE Type No.	Circuitry	Action			Actuator			Diag No.
					Material	Color		
						Neon	LED	
NEW 54-225W*	SPST	ON	NONE	OFF	PC	Black	N/A	S113
NEW 54-226W*	DPDT	ON	NONE	ON	PC	Black	N/A	S113
NEW 54-227W*	SPDT	ON	NONE	ON	PC	Black	N/A	S113
NEW 54-228W*	SPDT	ON	OFF	ON	PC	Black	N/A	S113
NEW 54-229W*	DPDT	ON	OFF	ON	PC	Black	N/A	S113
NEW 54-230W	SPST	ON	NONE	OFF	PC	Red	-	AC S113
NEW 54-231W	SPST	ON	NONE	OFF	PC	-	Red	DC S113
NEW 54-232W	SPST	ON	NONE	OFF	PC	Green	-	AC S113
NEW 54-233W	SPST	ON	NONE	OFF	PC	-	Green	DC S113
NEW 54-234W	SPST	ON	NONE	OFF	PC	Blue	-	AC S113
NEW 54-235W	SPST	ON	NONE	OFF	PC	-	Blue	DC S113
NEW 54-238W	SPDT	ON	NONE	ON	PC	Rd/Gn	-	AC S113
NEW 54-239W	SPDT	ON	NONE	ON	PC	-	Rd/Gn	DC S113
NEW 54-240W	SPDT	ON	OFF	ON	PC	Rd/Gn	-	AC S113
NEW 54-241W	SPDT	ON	OFF	ON	PC	-	Rd/Gn	DC S113
NEW 54-246W	SPDT	ON	NONE	ON	PC	Rd/Rd	-	AC S113
NEW 54-247W	SPDT	ON	NONE	ON	PC	-	Rd/Rd	DC S113
NEW 54-248W	SPDT	ON	OFF	ON	PC	Rd/Rd	-	AC S113
NEW 54-249W	SPDT	ON	OFF	ON	PC	-	Rd/Rd	DC S113
NEW 54-250W*	DPDT	(ON)	OFF	(ON)	PV	Black	N/A	S113

* Designates Non-Illuminated Type

Specifications

- Current Rating:** 20A 125VAC, 10A 250 VAC.
12A 125 VAC 3/4 HP, 10A 277VAC 3/4 HP
- Lamp Voltage:** 110V Neon (AC) & 12V LED (DC)
- Insulation Resistance:** 100 Megohms (min.) at 500VDC
- Dielectric Strength:** 1500V RMS (min.)
- Temperature Rating:** +32° to +149°F (0° to +65°C)
- Electrical Life:** 10,000 cycles
- Mechanical Life:** 50,000 cycles at full load
- Terminal Type:** .250" Tab Q.C.
- Mounting Hole:** See Table 1

Waterproof Dual Color Illuminated Rocker

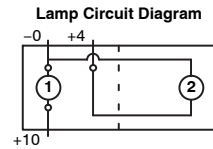
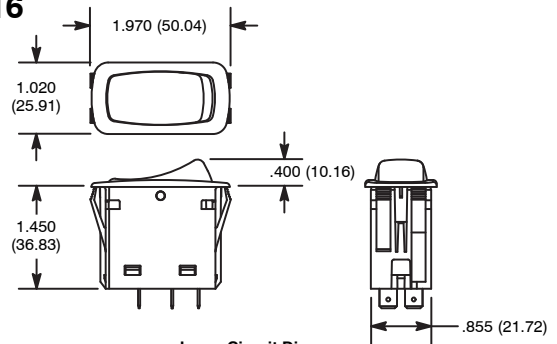


Features

- IP67 Certified
- Single and Double Pole
- Dual Color Types
- .250" Quick Connect Terminals



S116



NTE Type No.	Circuitry	Action			Actuator			Diag No.	
					Material	Color			
					Neon	LED	Vltg		
NEW 54-150	SPST	ON	NONE	OFF	Nylon	-	Amber/Green	DC	S116
NEW 54-151	SPST	(ON)	NONE	OFF	Nylon	-	Amber/Green	DC	S116
NEW 54-153	SPDT	ON	OFF	ON	Nylon	-	Amber/Green	DC	S116
NEW 54-154	SPDT	ON	OFF	(ON)	Nylon	-	Amber/Green	DC	S116
NEW 54-157	DPDT	ON	NONE	ON	Nylon	-	Amber/Green	DC	S116
NEW 54-158	DPDT	(ON)	OFF	(ON)	Nylon	-	Amber/Green	DC	S116

SPECIAL NOTE: () = Momentary Function

Specifications

- Current Rating:** 20A 12VDC,
- Lamp Voltage:** 12V LED (DC)
- Insulation Resistance:** 50 Megohms
- Dielectric Strength:**
 - Between Pole to Pole: 1250 VRMS
 - Between Live Parts & Accessible Surfaces: 3750 VRMS
- Temperature Rating:** -40° to +185°F (-40° to +85°C)
- Electrical Life:** 100,000 cycles maintained
50,000 cycles momentary at rated voltage & current
- Mechanical Life:** 250,000 cycles min.
- Terminal Type:** .250" Tab Q.C.
- Mounting Hole:** 1.734 (44.04) x .867 (22.02)