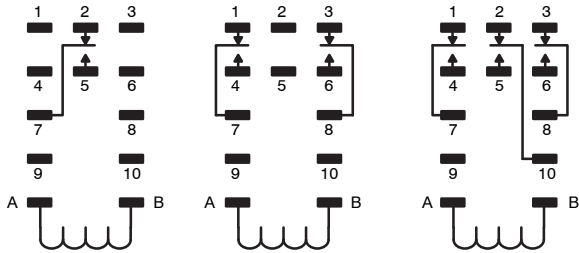


## Features

- SPDT, DPDT & 3PDT Models
- Solder Terminals
- High Dielectric Strength
- Multi-Pole Switching



**A (SPDT), 1 Form "C"**      **B (DPDT), 2 Form "C"**      **C (3PDT), 3 Form "C"**



Schematic Diagrams Viewed from Terminal End

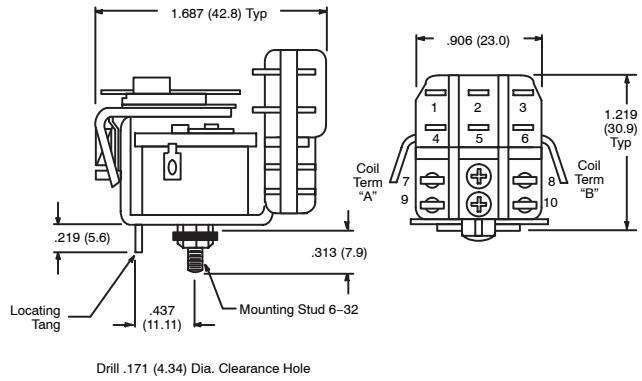
AC OPERATED						
NTE Type No.	Nom. Voltage	Contact Arr.	Coil Res. Ohms (Typ)	Nom. Power	Max. Contact Cur. @ 28VDC or 120VAC	Diag No.
R06-5A10-24	24VAC	SPDT	—	2.0VA	10A	D6A
R06-5A10-120	120VAC	SPDT	—	2.0VA	10A	D6A
R06-11A10-120	120VAC	DPDT	—	2.0VA	10A	D6B
R06-14A10-24	24VAC	3PDT	—	2.75VA	10A	D6C
R06-14A10-120	120VAC	3PDT	—	2.75VA	10A	D6C
DC OPERATED						
R06-11D10-6	6VDC	DPDT	32	1.0W	10A	D6B
R06-11D10-12	12VDC	DPDT	120	1.0W	10A	D6B
R06-11D10-24	24VDC	DPDT	470	1.0W	10A	D6B
R06-11D10-48	48VDC	DPDT	1800	1.0W	10A	D6B
R06-14D10-12	12VDC	3PDT	120	1.0W	10A	D6C
R06-14D10-24	24VDC	3PDT	470	1.0W	10A	D6C
R06-14D10-110	110VDC	3PDT	10K	1.0W	10A	D6C

# R06 Series



## General Purpose, 10 Amp Multicontact AC and DC Open Frame Relays.

D6



## Electrical Specifications

### Contact

#### Contact Rating

Poles	120VAC	240VAC	28VDC
SPDT	12A (1/3 HP)	12A (1/2 HP)	10A
DPDT	12A (1/3 HP)	8A (1/2 HP)	10A
3PDT	10A (1/3 HP)	6A (1/2 HP)	10A

**Contact Material:** 3/16" Silver cadmium oxide

**Contact Resistance:** 0.050 ohms max initial

### Coil

**Coil Voltages:** See Chart

**Pick-up Voltage:** 80% of nominal or less, AC or DC

**Resistance:** See chart

**Min Sensitivity:** 125mW per value

**Duty Cycle:** Continuous

### Operational Characteristics

**Timing Values** . . . . . Operate Time: 25 ms or less } at nominal  
 Release Time: 20 ms or less } coil voltage

### Insulation Characteristics

#### Dielectric Strength

**Contact To Coil:** 1500 VRMS

**Across Open Contacts:** 1000 VRMS

**Pole to Pole:** 1500 VRMS

**Contacts To Frame:** 1500 VRMS

**Insulation Material:** Molded polyester

**Insulation Resistance:** 1 x 10<sup>3</sup> megohms

### Environmental Characteristics

**Operating:** -10°C to +50°C (AC), -10°C to +60°C (DC)

**Non-operating (storage):** -30°C to +105°C

### Weight

**Std:** 2 1/2 ozs (70.9 grams)—approx