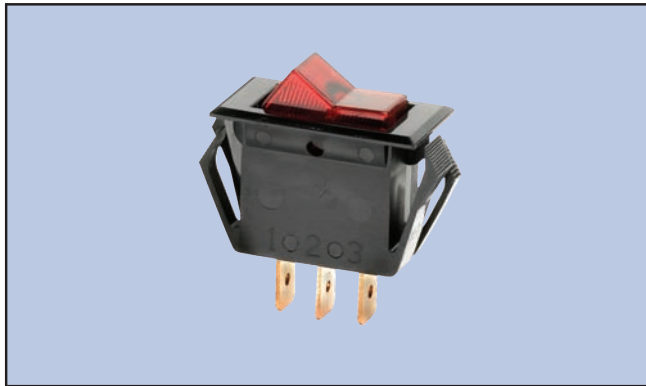


# Miniature Snap-In Nylon Illuminated Rocker



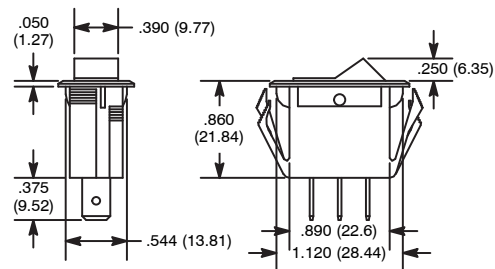
## Features

- Single Pole
- AC Rated, Also Suitable for Low Voltage DC Applications
- Double Insulated



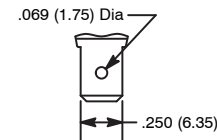
NTE Type No.	Circuitry	Action			Actuator	Lens Color	Diag No.
54-054	SPST	OFF	NONE	ON	Nylon	Red	S16b

S16



### Terminal Types

b: .250" Tab (Q.C.)



## Specifications

**Current Rating:** 15A 125VAC, 10A 250VAC, 3/4 HP 125-250VAC  
**Lamp Voltage:** 125V Neon  
**Insulation Resistance:** 100 Megohms (min.)  
**Dielectric Strength:** 1000V RMS (min.)  
**Temperature Rating:** +32° to +185°F (0° to +85°C)  
**Electrical Life:** 100,000 cycles  
**Mechanical Life:** 100,000 cycles  
**Terminal Type:** .250" Tab Q.C.  
**Mounting Hole:** 1.125 (28.57) x .550 (13.97)

# Miniature Snap-In Nylon Illuminated Rocker



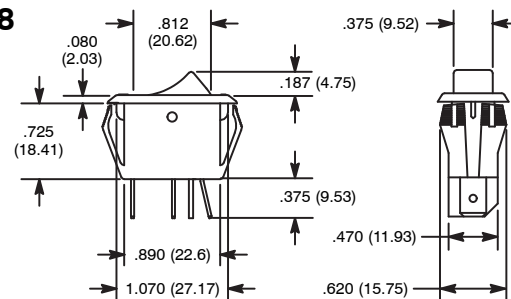
## Features

- Single Pole
- .250" Quick Connect Terminals



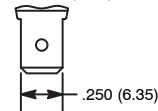
NTE Type No.	Circuitry	Action			Actuator	Lens Color	Diag No.
54-064	SPST	OFF	NONE	ON	Translucent Nylon	Amber	S18b
54-065	SPST	OFF	NONE	ON		Red	S18b
54-517	SPST	OFF	NONE	ON	Clear Nylon	Red	S18b
54-518	SPST	OFF	NONE	ON		Green	S18b
54-519	SPST	OFF	NONE	ON		Amber	S18b

S18



### Terminal Types

b: .250" Tab (Q.C.)



## Specifications

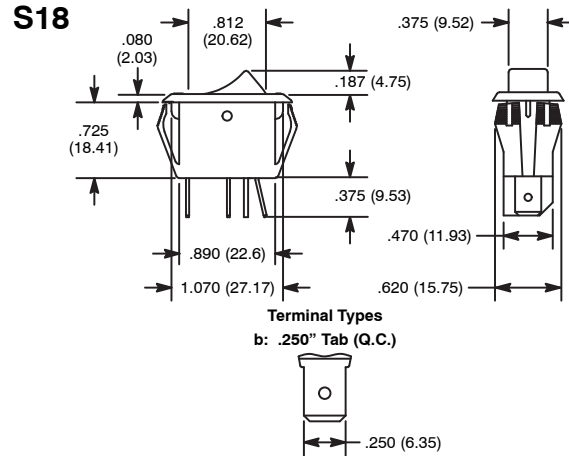
**Current Rating:** 16A 125VAC, 10A 250VAC, 10(4)A 250VAC $\mu$  T85  
**Lamp Voltage:** 125V Neon  
**Insulation Resistance:** 100 Megohms (min.)  
**Dielectric Strength:** 1000V RMS (min.)  
**Temperature Rating:** +32° to +185°F (0° to +85°C)  
**Electrical Life:** 100,000 cycles  
**Mechanical Life:** 100,000 cycles  
**Terminal Type:** .250" Tab Q.C.  
**Mounting Hole:** 1.125 (28.58) x .550 (13.97)

# Miniature Snap-In Illuminated Rocker for Low Voltage Applications



## Features

- For Low Voltage Applications
- .250" Quick Connect Terminals



## Specifications

**Current Rating:** 10A 12VDC  
**Lamp Voltage:** 12V Incandescent  
**Insulation Resistance:** 100 Megohms (min.)  
**Dielectric Strength:** 1000V RMS (min.)  
**Temperature Rating:** +32° to +185°F (0° to +85°C)  
**Electrical Life:** 100,000 cycles  
**Mechanical Life:** 100,000 cycles  
**Terminal Type:** .250" Tab Q.C.  
**Mounting Hole:** 1.125 (28.58) x .550 (13.97)

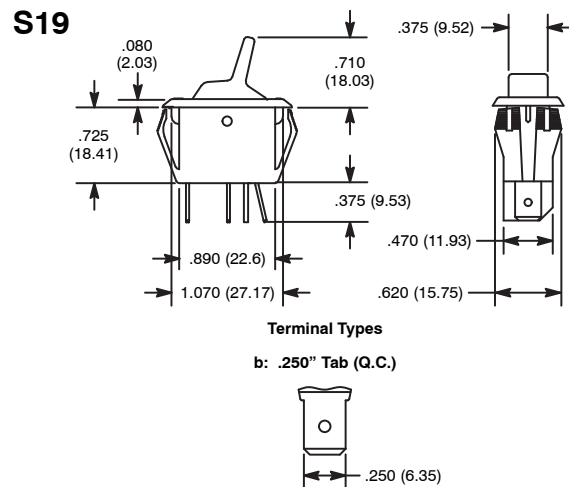
NTE Type No.	Circuitry	Action			Actuator	Lens Color	Diag No.
54-083	SPST	OFF	NONE	ON	Translucent Nylon	Red	S18b
54-086	SPST	OFF	NONE	ON	Clear Nylon	Blue	S18b

# Miniature Snap-In Nylon Illuminated Rocker



## Features

- Single Pole
- .250" Quick Connect Terminals



## Specifications

**Current Rating:** 16A 125VAC, 10A 250VAC, 10(4)A 250VAC $\mu$   
**Lamp Voltage:** 125V Neon  
**Insulation Resistance:** 100 Megohms (min.)  
**Dielectric Strength:** 1000V RMS (min.)  
**Temperature Rating:** +32° to +185°F (0° to +85°C)  
**Electrical Life:** 100,000 cycles  
**Mechanical Life:** 100,000 cycles  
**Terminal Type:** .250" Tab Q.C.  
**Mounting Hole:** 1.125 (28.58) x .550 (13.97)

NTE Type No.	Circuitry	Action			Actuator	Lens Color	Diag No.
54-105	SPST	OFF	NONE	ON	Translucent Nylon	Amber	S19b
54-106	SPST	OFF	NONE	ON		Red	S19b

# Miniature Snap-In Nylon Illuminated Rocker

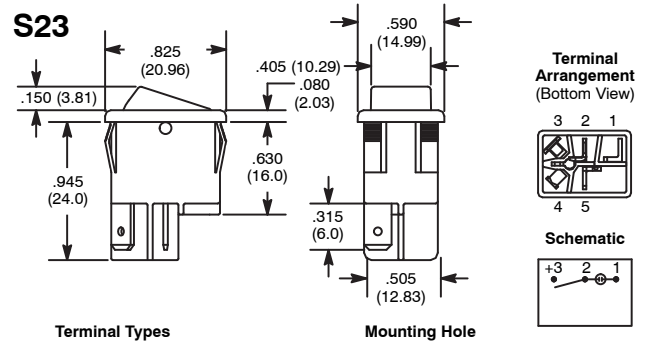


## Features

- Single Pole
- .187" Quick Connect Terminals
- Fits Standard Panel Cutout
- High Inrush Capability
- Shallow base Design



NTE Type No.	Circuitry	Action			Actuator	Lens Color	Diag No.
54-080	SPST	ON	NONE	OFF	Polycarbonate	Red	S23b



b: .187" Tab (Q.C.)

**Table 1.**

Panel Thickness	Y
.030 (.762) - .060 (1.52)	.756 (19.20)
.060 (1.52) - .093 (2.36)	.764 (19.40)
.093 (2.36) - .156 (3.96)	.780 (19.81)

Y: .508 (12.9)

## Specifications

**Current Rating:** 12A 125VAC, 8A 250VAC, 1/2 HP 125-250VAC  
**Lamp Voltage:** 125V Neon  
**Insulation Resistance:** 50 Megohms (min.)  
**Dielectric Strength:** 1500V RMS (min.)  
**Temperature Rating:** +32° to +185°F (0° to +85°C)  
**Electrical Life:** 50,000 cycles  
**Mechanical Life:** 100,000 cycles  
**Terminal Type:** .187" Tab Q.C.  
**Mounting Hole:** See Table 1

# Miniature Snap-In Nylon Illuminated Rocker

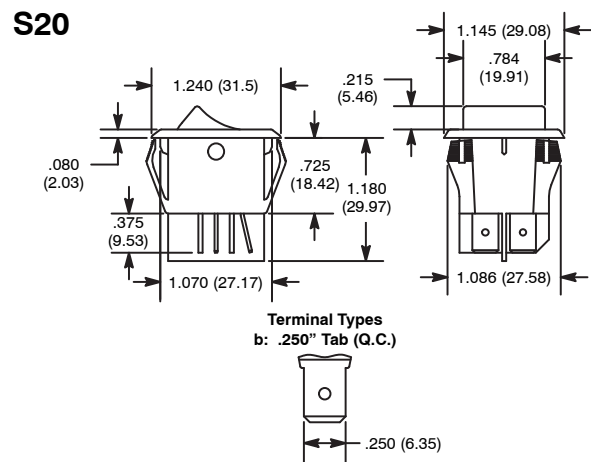


## Features

- Double Pole
- .250" Quick Connect Terminals
- High Inrush Capability



NTE Type No.	Circuitry	Action			Actuator	Lens Color	Diag No.
54-082	DPST	OFF	NONE	ON	Translucent Nylon	Red	S20b



## Specifications

**Current Rating:** 20A 125VAC, 15A 250VAC  
**Lamp Voltage:** 125V Neon  
**Insulation Resistance:** 100 Megohms (min.)  
**Dielectric Strength:** 1000V RMS (min.)  
**Temperature Rating:** +32° to +185°F (0° to +85°C)  
**Electrical Life:** 50,000 cycles  
**Mechanical Life:** 100,000 cycles  
**Terminal Type:** .250" Tab Q.C.  
**Mounting Hole:** 1.125 (28.58) x 1.000 (25.4)

# Snap-In Nylon Illuminated Rocker

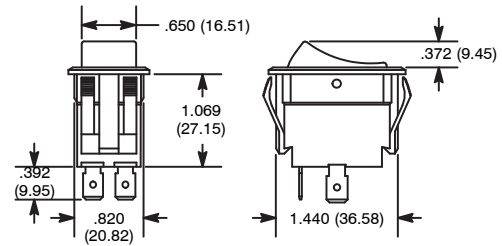


## Features

- AC Rated, Also Suitable for Low Voltage DC Applications

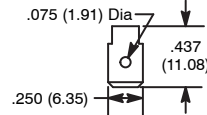


S15

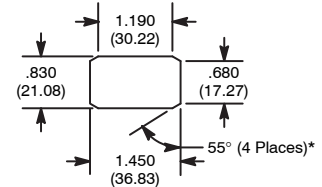


Terminal Types

b: .250" Tab (Q.C.)



Mounting Hole



\* Angled corners are suggested for optimum fit. Standard rectangular cutout is acceptable

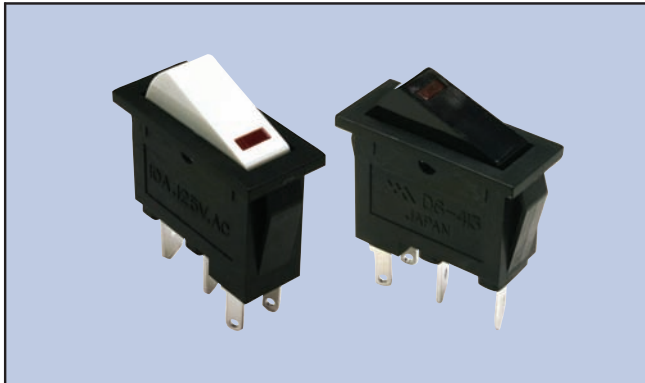
NEW

NTE Type No.	Circuitry	Action			Actuator		Lens Color	Diag No.
					Material	Color		
54-029	SPST	ON	NONE	OFF	Nylon	White	Green	S15b
54-053	SPST	ON	NONE	OFF	Nylon	Black	Amber	S15b

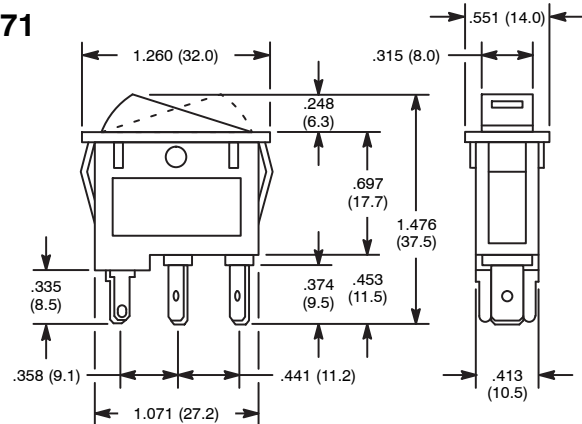
## Specifications

**Current Rating:** 15A 125VAC, 10A 250VAC, 1/2 HP 125-250VAC  
**Lamp Voltage:** 125V Neon (54-053), 18V Incandescent (54-029)  
**Insulation Resistance:** 100 Megohms (min.)  
**Dielectric Strength:** 1000V RMS (min.)  
**Temperature Rating:** +32° to +185°F (0° to +85°C)  
**Electrical Life:** 50,000 cycles  
**Mechanical Life:** 100,000 cycles  
**Terminal Type:** .250" Tab Q.C.  
**Mounting Hole:** 1.450 (36.83) x .830 (21.08)

# Snap-In Illuminated Rocker



S71



## Specifications

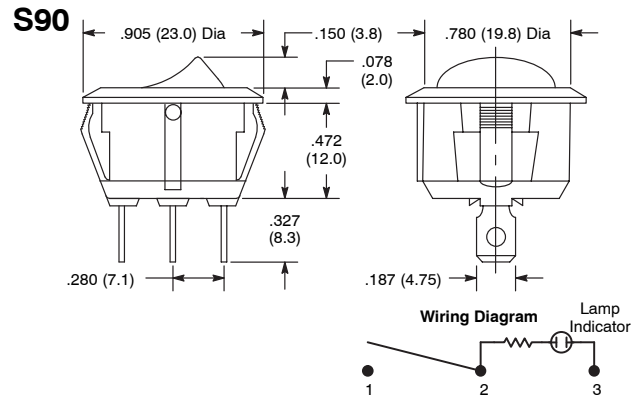
**Current Rating:** 10A 125VAC  
**Lamp Voltage:** 2.1V LED  
**Insulation Resistance:** 100 Megohms (min.) at 500VDC  
**Dielectric Strength:** 1000V RMS (min.)  
**Temperature Rating:** +14° to +131°F (-10° to +55°C)  
**Electrical Life:** 20,000 cycles  
**Mechanical Life:** 30,000 cycles  
**Terminal Type:** .250" Tab Q.C.  
**Mounting Hole:** 1.189 (30.2) x .433 (11.0)

# Snap-In Round Hole Illuminated Rocker



## Features

- AC and DC Types



## Specifications

**Current Rating:** 16A 125VAC, 10A 250VAC  
20A 12VDC (54-645 ONLY)

**Lamp Voltage:** 110V Neon (AC) & 2V @ 20mA\* LED (DC)

**Insulation Resistance:** 100 Megohms (min.) at 500VDC

**Dielectric Strength:** 1500V RMS (min.)

**Temperature Rating:** -4° to +149°F (-20° to +65°C)

**Electrical Life:** 6000 cycles (min.)

**Mechanical Life:** 100,000 cycles (min.)

**Terminal Type:** .187" Tab Q.C.

**Mounting Hole:** .795 (20.2)

\* Resistor needed for other voltages.

NTE Type No.	Circuitry	Action			Actuator				Diag No.
					Material	Color		Vltg	
						Neon	LED		
54-506	SPST	ON	NONE	OFF	Nylon	Red	-	AC	S90
54-532	SPST	ON	NONE	OFF	Nylon	Amber	-	AC	S90
54-533	SPST	ON	NONE	OFF	Nylon	Green	-	AC	S90
54-534	SPST	ON	NONE	OFF	Nylon	-	Red	DC	S90
54-535	SPST	ON	NONE	OFF	Nylon	-	Amber	DC	S90
54-536	SPST	ON	NONE	OFF	Nylon	-	Green	DC	S90
54-537	SPST	ON	NONE	OFF	Nylon	-	Blue	DC	S90
54-645	SPST	ON	NONE	OFF	Nylon	-	Red	DC	S90

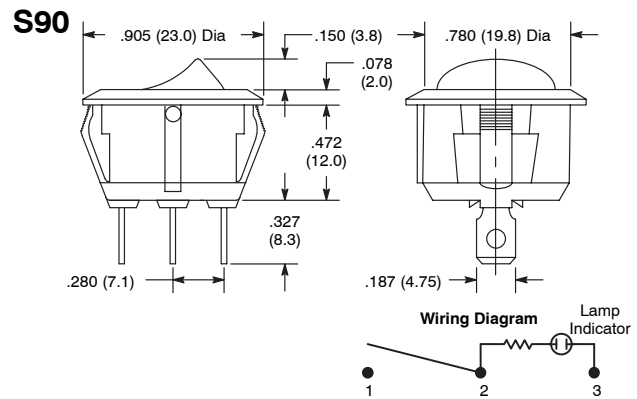
NEW

# Snap-In Round Hole Illuminated Rocker



## Features

- Waterproof Types Available on Page 26



## Specifications

**Current Rating:** 16A 125VAC, 10A 250VAC

**Lamp Voltage:** 110V (AC) Neon, 12V (DC) Neon

**Insulation Resistance:** 100 Megohms (min.) at 500VDC

**Dielectric Strength:** 1500V RMS (min.)

**Temperature Rating:** -4° to +149°F (-20° to +65°C)

**Electrical Life:** 6000 cycles (min.)

**Mechanical Life:** 100,000 cycles (min.)

**Terminal Type:** .187" Tab Q.C.

**Mounting Hole:** .795 (20.2)

NTE Type No.	Circuitry	Action			Actuator			Diag No.	
					Material	Color			Vltg
						Neon	LED		
54-525	SPST	ON	NONE	OFF	Nylon	Amber	AC	S90	
54-526	SPST	ON	NONE	OFF	Nylon	Green	AC	S90	
54-527	SPST	ON	NONE	OFF	Nylon	Red	DC	S90	
54-528	SPST	ON	NONE	OFF	Nylon	Amber	DC	S90	
54-529	SPST	ON	NONE	OFF	Nylon	Green	DC	S90	
54-530	SPST	ON	NONE	OFF	Nylon	Blue	DC	S90	
54-531	SPST	ON	NONE	OFF	Nylon	Red	AC	S90	

# Round Hole Illuminated Rocker, Square Bezel

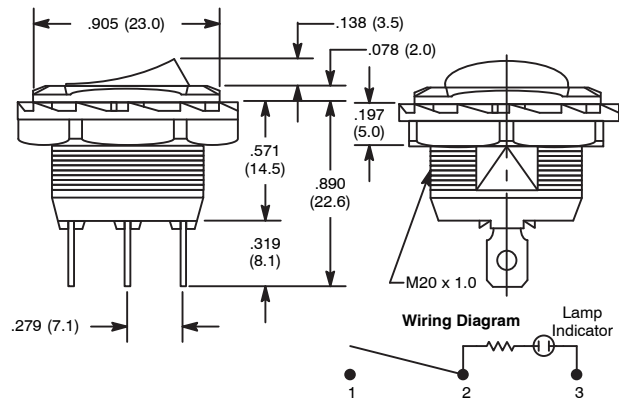


## Features

- Circuit Contains Illuminated Neon Indicator
- Single Pole



## S93



## Specifications

**Current Rating:** 16A 125VAC, 10A 250VAC  
**Lamp Voltage:** 110V Neon  
**Insulation Resistance:** 100 Megohms (min.) at 500VDC  
**Dielectric Strength:** 1500V RMS (min.)  
**Temperature Rating:** -4° to +149°F (-20° to +65°C)  
**Electrical Life:** 6000 cycles (min.)  
**Mechanical Life:** 100,000 cycles (min.)  
**Terminal Type:** .187" Tab Q.C.  
**Mounting Hole:** .795 (20.2)

NTE Type No.	Circuitry	Action			Actuator		Diag No.
					Material	Color	
54-513	SPST	ON	NONE	OFF	Nylon	Red	S93
54-549	SPST	ON	NONE	OFF	Nylon	Amber	S93
54-550	SPST	ON	NONE	OFF	Nylon	Green	S93

# Round Hole Illuminated Rocker, Square Bezel

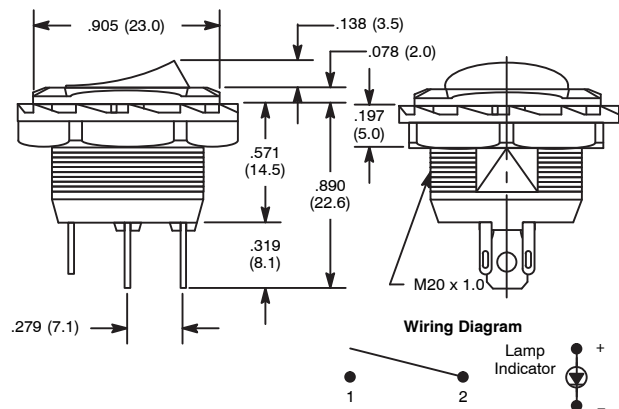


## Features

- Independent, Illuminated LED Indicator
- Single Pole



## S118



## Specifications

**Current Rating:** 16A 125VAC, 10A 250VAC  
**Lamp Voltage:** 2V LED  
**Insulation Resistance:** 100 Megohms (min.) at 500VDC  
**Dielectric Strength:** 1500V RMS (min.)  
**Temperature Rating:** -4° to +149°F (-20° to +65°C)  
**Electrical Life:** 6000 cycles (min.)  
**Mechanical Life:** 100,000 cycles (min.)  
**Terminal Type:** .187" Tab Q.C.  
**Mounting Hole:** .795 (20.2)

NTE Type No.	Circuitry	Action			Actuator		Diag No.
					Material	LED Color	
54-551	SPST	ON	NONE	OFF	Nylon	Red	S118
54-552	SPST	ON	NONE	OFF	Nylon	Amber	S118
54-553	SPST	ON	NONE	OFF	Nylon	Green	S118
54-554	SPST	ON	NONE	OFF	Nylon	Blue	S118

NOTE: LED is independently lit.

# Sealed Automotive/Marine Nylon Snap-In Rocker, Illuminated

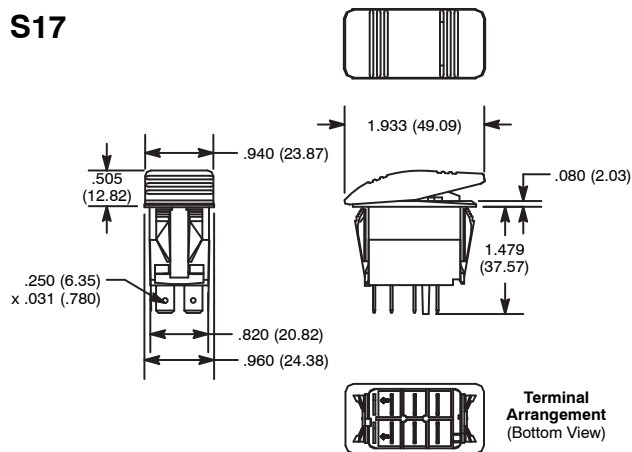


## Features

- IP66/IP68 Certified
- UL1500 Recognized – Ignition Protection for Marine Use
- Sealed for Auto/Marine applications
- Salt Spray Resistant
- Able to Withstand  $-40^{\circ}$  to  $+85^{\circ}\text{C}$  Temperature



S17



NOTE: Lamp wired to Terminals 3 and 7.

## Specifications

- Current Rating:** 20A 12VDC
- Lamp Voltage:** 12V Incandescent
- Insulation Resistance:** 50 Megohms (min.)
- Dielectric Strength:** 1500V RMS (min.)
- Temperature Rating:**  $-40^{\circ}$  to  $+185^{\circ}\text{F}$  ( $-40^{\circ}$  to  $+85^{\circ}\text{C}$ )
- Electrical Life:** 50,000 to 100,000 cycles circuit dependent
- Mechanical Life:** 150,000 cycles
- Terminal Type:** .250" Tab Q.C.
- Mounting Hole:** 1.450 (36.83) x .830 (21.08)

NTE Type No.	Circuitry	Action			Actuator	Lens Color	Diag No.
54-034	SPST	ON	NONE	OFF	Illuminated Thermoplastic polycarbonate with a hard Nylon 66 thermoplastic surface overlay	Amber	S17
54-035	SPST	ON	NONE	OFF		Red	S17
54-036	DPDT	ON	OFF	ON		Green	S17
54-037	DPDT	ON	OFF	ON		Red	S17
54-038	SPST	(ON)	NONE	OFF		Amber	S17
54-039	SPST	(ON)	NONE	OFF		Red	S17
54-040	DPDT	(ON)	OFF	(ON)		Amber	S17
54-041	DPDT	(ON)	OFF	(ON)		Green	S17
54-042	DPDT	(ON)	OFF	(ON)		Red	S17
54-043	DPDT	(ON)	OFF	(ON)		Blue	S17
54-087	SPST	ON	NONE	OFF	Illuminated Thermoplastic polycarbonate with a hard Nylon 66 thermoplastic surface overlay	Green	S17
54-088	SPST	ON	NONE	OFF		Blue	S17
54-089	DPDT	ON	OFF	ON		Amber	S17
54-090	DPDT	ON	OFF	ON		Blue	S17
54-091	SPST	(ON)	NONE	OFF		Green	S17
54-092	SPST	(ON)	NONE	OFF		Blue	S17

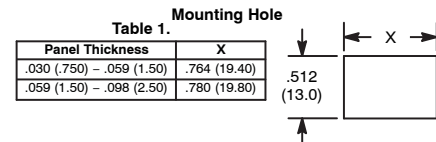
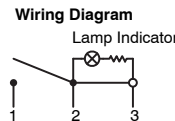
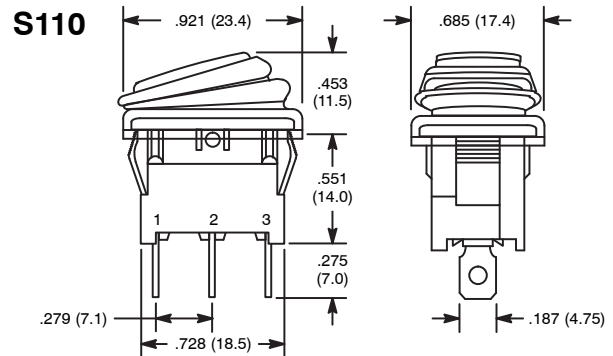
SPECIAL NOTE: ( ) = Momentary Function

# Waterproof Miniature Illuminated Rocker



## Features

- **Waterproof:** IP65
- **Single Pole**
- **.187" Quick Connect Terminals**



NTE Type No.	Circuitry	Action			Actuator			Diag No.	
					Material	Color			Vltg
						Neon	LED		
NEW 54-200W	SPST	ON	NONE	OFF	PC	Red	-	AC	S110
NEW 54-201W	SPST	ON	NONE	OFF	PC	-	Red	DC	S110
NEW 54-202W*	SPDT	ON	NONE	ON	PC	Black		N/A	S110
NEW 54-203W	SPST	ON	NONE	OFF	PC	Green	-	AC	S110
NEW 54-204W	SPST	ON	NONE	OFF	PC	-	Green	DC	S110

\* Designates Non-Illuminated Type

## Specifications

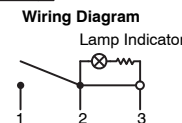
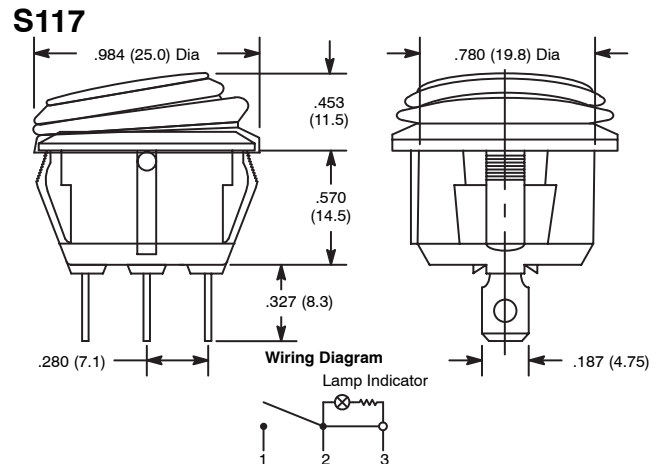
**Current Rating:** 16A 125VAC 1/3 HP, 10A 250VAC 1/2 HP  
**Lamp Voltage:** 110V Neon (AC) & 12V LED (DC)  
**Insulation Resistance:** 100 Megohms (min.) at 500VDC  
**Dielectric Strength:** 1000V RMS (min.)  
**Temperature Rating:** +32° to +185°F (0° to +85°C)  
**Electrical Life:** 10,000 cycles  
**Mechanical Life:** 50,000 cycles at full load  
**Terminal Type:** .187" Tab Q.C.  
**Mounting Hole:** See Table 1

# Waterproof Round Illuminated Rocker



## Features

- **Waterproof:** IP65
- **Single Pole**
- **.187" Quick Connect Terminals**



## Specifications

**Current Rating:** 16A 125VAC, 10A 250VAC  
**Lamp Voltage:** 110V Neon (AC) & 12V LED (DC)  
**Insulation Resistance:** 100 Megohms (min.) at 500VDC  
**Dielectric Strength:** 1500V RMS (min.)  
**Temperature Rating:** +32° to +185°F (0° to +85°C)  
**Electrical Life:** 10,000 cycles  
**Mechanical Life:** 50,000 cycles at full load  
**Terminal Type:** .187" Tab Q.C.  
**Mounting Hole:** .795 (20.2)

NTE Type No.	Circuitry	Action			Actuator			Diag No.	
					Material	Color			Vltg
						Neon	LED		
NEW 54-503W*	SPST	ON	NONE	OFF	Nylon	Black		N/A	S117
NEW 54-526W	SPST	ON	NONE	OFF	Nylon	Green	-	AC	S117
NEW 54-527W	SPST	ON	NONE	OFF	Nylon	-	Red	DC	S117
NEW 54-529W	SPST	ON	NONE	OFF	Nylon	-	Green	DC	S117
NEW 54-531W	SPST	ON	NONE	OFF	Nylon	Red	-	AC	S117

\* Designates Non-Illuminated Type



# Waterproof Round Illuminated Rocker

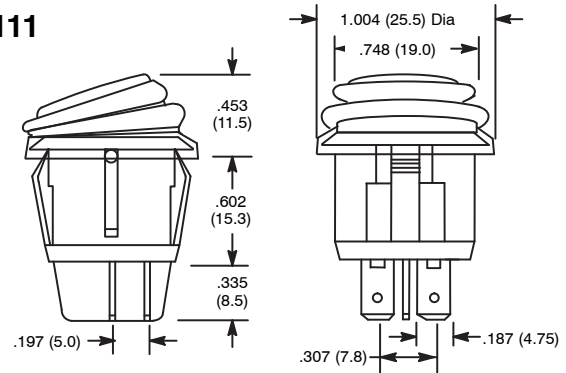


## Features

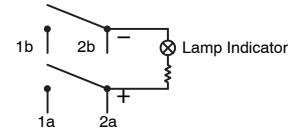
- Waterproof: IP65
- Double Pole
- .187" Quick Connect Terminals



S111



Wiring Diagram



## Specifications

**Current Rating:** 16A 125VAC, 10A 250VAC  
**Lamp Voltage:** 110V Neon (AC) & 12V LED (DC)  
**Insulation Resistance:** 100 Megohms (min.) at 500VDC  
**Dielectric Strength:** 1500V RMS (min.)  
**Temperature Rating:** +32° to +185°F (0° to +85°C)  
**Electrical Life:** 10,000 cycles  
**Mechanical Life:** 50,000 cycles at full load  
**Terminal Type:** .187" Tab Q.C.  
**Mounting Hole:** .795 (20.2)

NTE Type No.	Circuitry	Action			Actuator				Diag No.
					Material	Color		Vltg	
						Neon	LED		
NEW 54-205W	DPST	ON	NONE	OFF	PC	Red	-	AC	S111
NEW 54-206W	DPST	ON	NONE	OFF	PC	-	Red	DC	S111
NEW 54-209W	DPST	ON	NONE	OFF	PC	Green	-	AC	S111
NEW 54-210W	DPST	ON	NONE	OFF	PC	-	Green	DC	S111
NEW 54-211W*	DPST	ON	NONE	OFF	PC	Black	-	N/A	S111

\* Designates Non-Illuminated Type

# Waterproof Miniature Illuminated Rocker

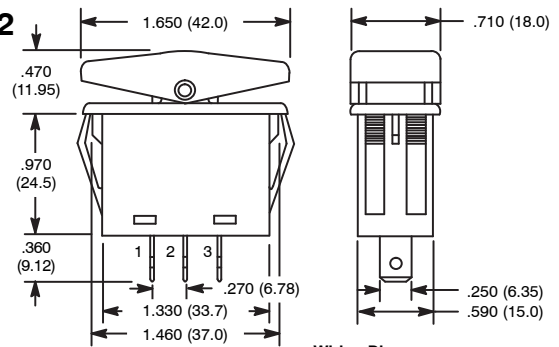


## Features

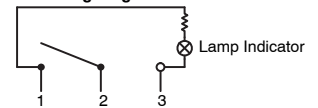
- Waterproof: IP66
- Single Pole
- .250" Quick Connect Terminals



S112



Wiring Diagram



## Specifications

**Current Rating:** 20A 125VAC 1/3 HP, 10A 250VAC 3/4 HP, 20A 14VAC, 10A 24VAC  
**Lamp Voltage:** 110V Neon (AC) & 12V LED (DC)  
**Insulation Resistance:** 100 Megohms (min.) at 500VDC  
**Dielectric Strength:** 1500V RMS (min.)  
**Temperature Rating:** +32° to +185°F (0° to +85°C)  
**Electrical Life:** 10,000 cycles  
**Mechanical Life:** 50,000 cycles at full load  
**Terminal Type:** .250" Tab Q.C.  
**Mounting Hole:** 1.450 (36.8) x .600 (15.2)

NTE Type No.	Circuitry	Action			Actuator				Diag No.
					Material	Color		Vltg	
						Neon	LED		
NEW 54-215W	SPST	ON	NONE	OFF	PC	Red	-	AC	S112
NEW 54-216W	SPST	ON	NONE	OFF	PC	-	Red	DC	S112
NEW 54-219W	SPST	ON	NONE	OFF	PC	Green	-	AC	S112
NEW 54-220W	SPST	ON	NONE	OFF	PC	-	Green	DC	S112
NEW 54-221W*	SPST	ON	NONE	OFF	PC	Black	-	N/A	S112

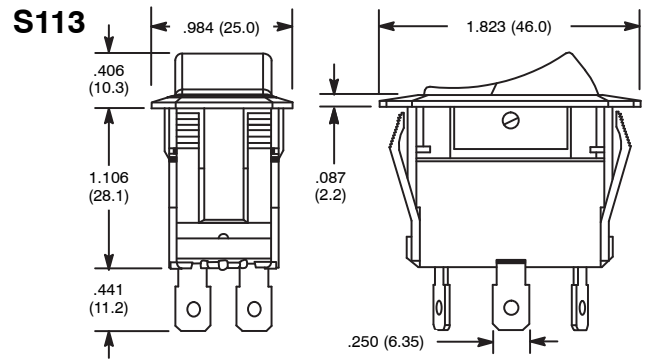
\* Designates Non-Illuminated Type

# Waterproof Illuminated Rocker



## Features

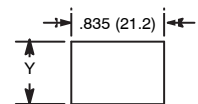
- **Waterproof:** IP66
- **Single and Double Pole**
- **Available in Single and Dual Color Types**
- **.187" Quick Connect Terminals**



Mounting Hole

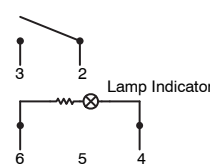
**Table 1.**

Panel Thickness	Y
.030 (.750) - .049 (1.25)	1.441 (36.6)
.049 (1.25) - .079 (2.00)	1.449 (36.8)
.079 (2.00) - .118 (3.00)	1.457 (37.0)

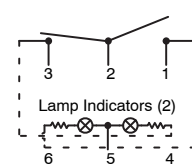


Wiring Diagram

SPST



SPDT



## Specifications

- Current Rating:** 20A 125VAC, 10A 250 VAC.  
12A 125 VAC 3/4 HP, 10A 277VAC 3/4 HP
- Lamp Voltage:** 110V Neon (AC) & 12V LED (DC)
- Insulation Resistance:** 100 Megohms (min.) at 500VDC
- Dielectric Strength:** 1500V RMS (min.)
- Temperature Rating:** +32° to +149°F (0° to +65°C)
- Electrical Life:** 10,000 cycles
- Mechanical Life:** 50,000 cycles at full load
- Terminal Type:** .187" Tab Q.C.
- Mounting Hole:** See Table 1

NTE Type No.	Circuitry	Action			Actuator			Diag No.	
					Material	Color			Vltg
						Neon	LED		
<b>NEW</b> 54-225W*	SPST	ON	NONE	OFF	PC	Black	-	N/A	S113
<b>NEW</b> 54-226W*	DPDT	ON	NONE	ON	PC	Black	-	N/A	S113
<b>NEW</b> 54-227W*	SPDT	ON	NONE	ON	PC	Black	-	N/A	S113
<b>NEW</b> 54-228W*	SPDT	ON	OFF	ON	PC	Black	-	N/A	S113
<b>NEW</b> 54-229W*	DPDT	ON	OFF	ON	PC	Black	-	N/A	S113
<b>NEW</b> 54-230W	SPST	ON	NONE	OFF	PC	Red	-	AC	S113
<b>NEW</b> 54-231W	SPST	ON	NONE	OFF	PC	-	Red	DC	S113
<b>NEW</b> 54-232W	SPST	ON	NONE	OFF	PC	Green	-	AC	S113
<b>NEW</b> 54-233W	SPST	ON	NONE	OFF	PC	-	Green	DC	S113
<b>NEW</b> 54-234W	SPST	ON	NONE	OFF	PC	Blue	-	AC	S113
<b>NEW</b> 54-235W	SPST	ON	NONE	OFF	PC	-	Blue	DC	S113
<b>NEW</b> 54-238W	SPDT	ON	NONE	ON	PC	Rd/Gn	-	AC	S113
<b>NEW</b> 54-239W	SPDT	ON	NONE	ON	PC	-	Rd/Gn	DC	S113
<b>NEW</b> 54-240W	SPDT	ON	OFF	ON	PC	Rd/Gn	-	AC	S113
<b>NEW</b> 54-241W	SPDT	ON	OFF	ON	PC	-	Rd/Gn	DC	S113
<b>NEW</b> 54-246W	SPDT	ON	NONE	ON	PC	Rd/Rd	-	AC	S113
<b>NEW</b> 54-247W	SPDT	ON	NONE	ON	PC	-	Rd/Rd	DC	S113
<b>NEW</b> 54-248W	SPDT	ON	OFF	ON	PC	Rd/Rd	-	AC	S113
<b>NEW</b> 54-249W	SPDT	ON	OFF	ON	PC	-	Rd/Rd	DC	S113
<b>NEW</b> 54-250W*	DPDT	(ON)	OFF	(ON)	PV	Black	-	N/A	S113

\* Designates Non-Illuminated Type

# Waterproof Dual Color Illuminated Rocker

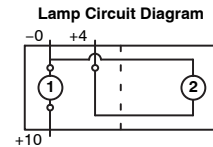
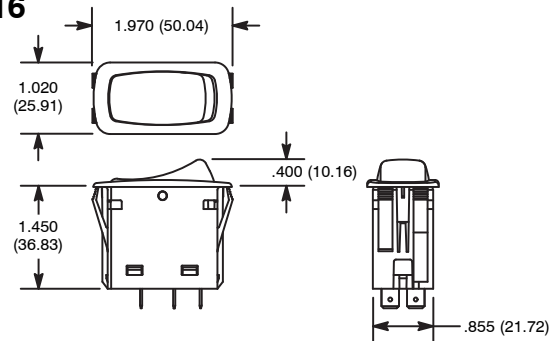


## Features

- IP67 Certified
- Single and Double Pole
- Dual Color Types
- .250" Quick Connect Terminals



## S116



NTE Type No.	Circuitry	Action			Actuator			Diag No.	
					Material	Color			
						Neon	LED		Vltg
<b>NEW</b> 54-150	SPST	ON	NONE	OFF	Nylon	-	Amber/Green	DC	S116
<b>NEW</b> 54-151	SPST	(ON)	NONE	OFF	Nylon	-	Amber/Green	DC	S116
<b>NEW</b> 54-153	SPDT	ON	OFF	ON	Nylon	-	Amber/Green	DC	S116
<b>NEW</b> 54-154	SPDT	ON	OFF	(ON)	Nylon	-	Amber/Green	DC	S116
<b>NEW</b> 54-157	DPDT	ON	NONE	ON	Nylon	-	Amber/Green	DC	S116
<b>NEW</b> 54-158	DPDT	(ON)	OFF	(ON)	Nylon	-	Amber/Green	DC	S116

SPECIAL NOTE: ( ) = Momentary Function

## Specifications

**Current Rating:** 20A 12VDC,

**Lamp Voltage:** 12V LED (DC)

**Insulation Resistance:** 50 Megohms

**Dielectric Strength:**

**Between Pole to Pole:** 1250 VRMS

**Between Live Parts & Accessible Surfaces:** 3750 VRMS

**Temperature Rating:** -40° to +185°F (-40° to +85°C)

**Electrical Life:** 100,000 cycles maintained

50,000 cycles momentary at rated voltage & current

**Mechanical Life:** 250,000 cycles min.

**Terminal Type:** .250" Tab Q.C.

**Mounting Hole:** 1.734 (44.04) x .867 (22.02)