

**General Specifications**

Motor Protection: Auto Restart/Polarity Protection  
 Insulation Resistance: 10M Ohm or over with a DC500V Megger  
 Dielectric Withstand Voltage: AC 700V 1st  
 Allowable Ambient Temperature Range:  
 -10 degree C ~ +70 degree C (Operating)  
 -40 degree C ~ +70 degree C (Storage)  
 (non-condensing environment)

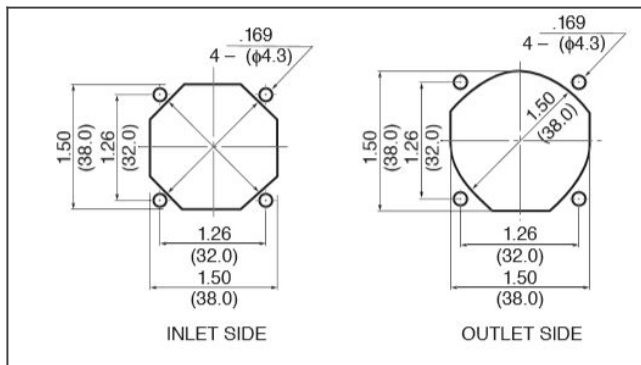
**Material**

Casing: Plastic (Black) UL94V-0  
 Impeller: Plastic (Black) UL94V-0  
 Lead Wire: UL1061, AWG26, +Red, -Black

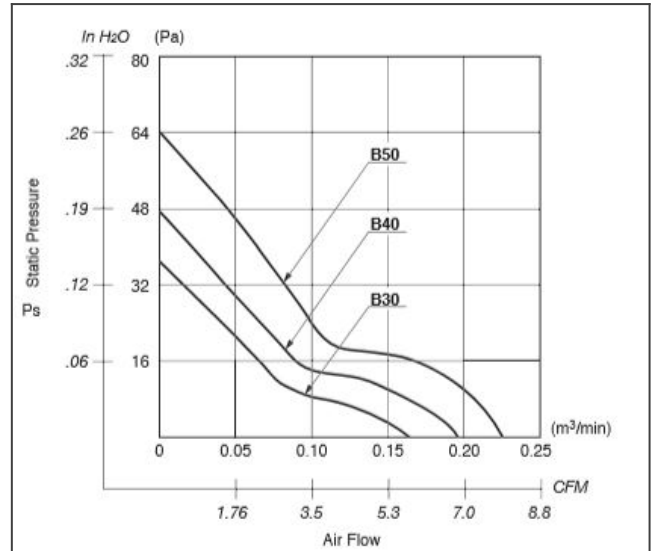
**order part 1606KL-04W-B40-L00 Ball Bearing Fan DC Fans**



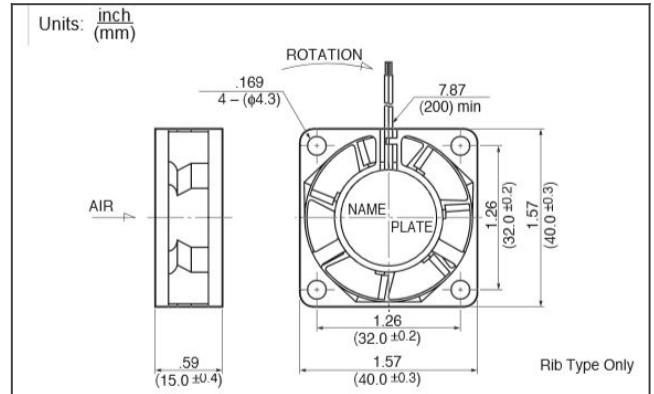
**1606KL panel cut out**



**1606KL characteristic curve**



**1606KL product drawing**



DC Fans

## Detailed Specifications

|                                 |                                |
|---------------------------------|--------------------------------|
| <b>Expected Life:</b>           | 25 degree C 60,000 Hours (L10) |
| <b>DC Fan:</b>                  | Ball Bearing Fan               |
| <b>Nominal Voltage:</b>         | 12[V]                          |
| <b>Operating Voltage Lower:</b> | 10.2[V]                        |
| <b>Operating Voltage Upper:</b> | 13.8[V]                        |
| <b>Current:</b>                 | 0.075[A]                       |
| <b>Input Power:</b>             | 0.9[W]                         |
| <b>Speed:</b>                   | 7000[ $\text{min}^{-1}$ ]      |
| <b>Max. Air Flow:</b>           | 0.2[ $\text{m}^3/\text{min}$ ] |
| <b>Max. Air Flow:</b>           | 7[CFM]                         |
| <b>Max. Static Pressure:</b>    | 47.1[Pa]                       |
| <b>Max. Static Pressure:</b>    | 0.188[In H <sub>2</sub> O]     |
| <b>Noise:</b>                   | 31[dB]                         |
| <b>Mass:</b>                    | 20[g]                          |
| <b>Fan Size:</b>                | 40[mm]                         |
| <b>Fan Width:</b>               | 15[mm]                         |