



- Home
- About Us
- Products**
- Audio**
- Video
- Lighting
- Data Connectors
- Industrial

- Support
- News
- Sitemap

Search

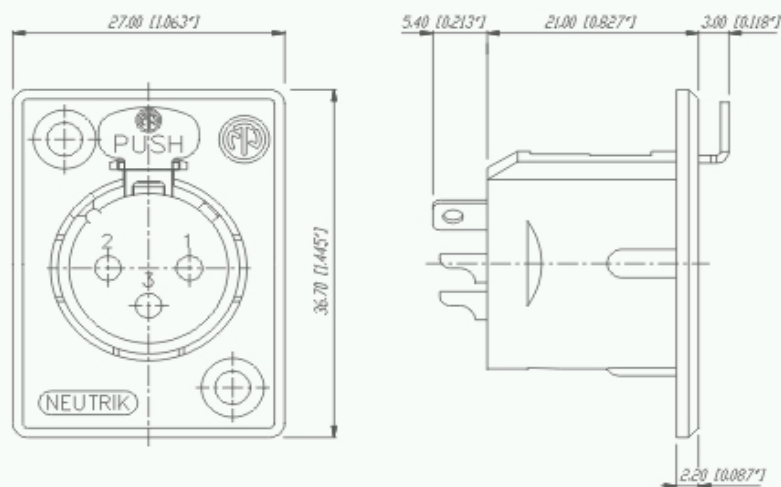
PRODUCTS ONLY Search

© Neutrik® AG
All rights reserved
Legal Notices

Audio P Series

back

NC3FP-B-1



Product	
Connector Type	XLR
Gender	female
Electrical	
Capacitance between contacts	≤ 4 pF
Contact resistance	≤ 5 mΩ
Dielectric strength	1,5 kVdc
Insulation resistance	> 2 GΩ (initial)
Insulation resistance	> 1 GΩ (after damp heat test)
Rated current per contact	16 A
Rated voltage	50 V
Mechanical	
Insertion force	≤ 20 N
Withdrawal force	≤ 20 N
Lifetime	> 1000 mating cycles
Wiring	Solder contacts
Locking device	Latch lock
Mounting direction	front
Chassis shape	P
Material	
Contact plating	0.2 μm Au hard alloy over 2 μm Ni
Contacts	Bronze (CuSn6)
Insert	Polyamide (PA 6.6 30 % GR)
Locking element	Steel Ck67
Shell	Zinc diecast (ZnAl4Cu1)
Shell plating	Black chromium
Environmental	
Flammability	UL 94 HB
Standard compliance	IEC 61076-2-103
Protection class	IP 40
Solderability	Complies with IEC 68-2-20
Temperature range	-30 °C to +80 °C