

# SCDX

Hinged cover for all D-size chassis connectors

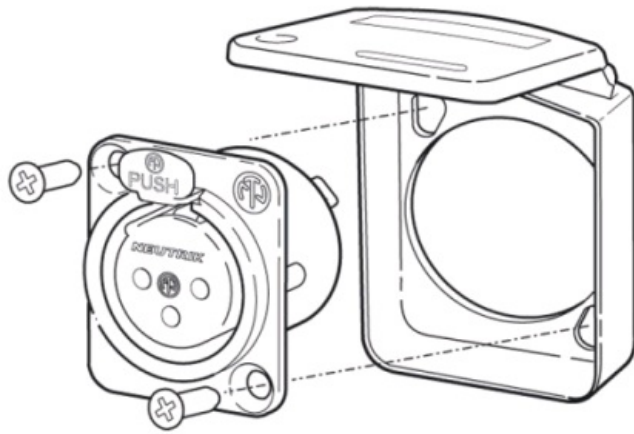
This hinged cover seals D-size chassis connectors from water, dust and dirt in unmated condition according to IP42. It is available in different colors.

- SCDX – black (if used with opticalCON, black indicates multi-mode)
- SCDX-5 – green (if used with opticalCON, green indicates single-mode APC)
- SCDX-6 – blue (if used with opticalCON, blue indicates single-mode PC)
- SCDX-9 – white (e.g. walloutlet)



## Downloads

-  [3D File SCDX](#)
-  [Drawing SCDX](#)
-  [Drawing SCDX](#)
-  [Expertise Brief SCDX](#)



[Technical Information](#) [show](#)