



- Home
- About Us
- Products**
- Audio
- Video
- Lighting
- Data Connectors
- Industrial

- Support
- News
- Sample Request
- Sitemap

Search

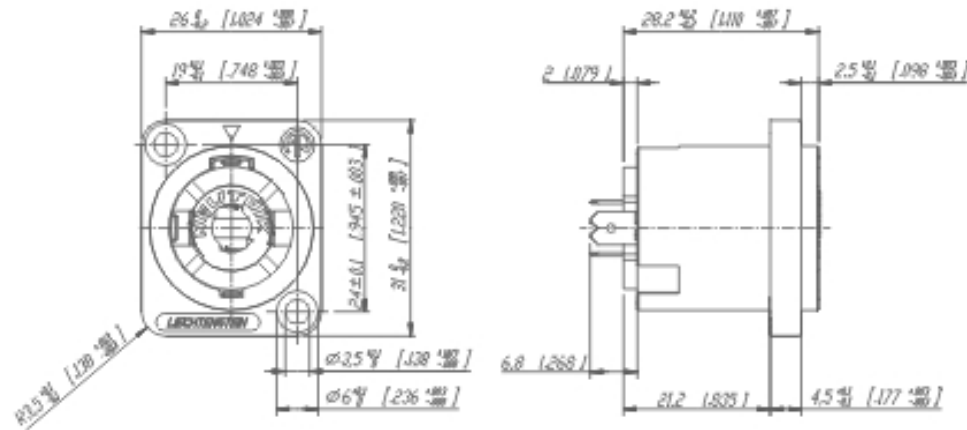
PRODUCTS ONLY

Search

© Neutrik® AG
 All rights reserved
 Legal Notices



NL4MP



Product	
Connector Type	Speakon
Gender	male
Electrical	
Contact resistance	≤ 3 mΩ (after lifetime)
Dielectric strength	4 kVdc (peak)
Insulation resistance	> 1 GΩ (after dampheat)
Rated current per contact	30 A rms continuous
Rated current per contact	40 A audiosignal, duty cycle 50 %
Rated voltage	250 V (Insulation)
Mechanical	
Lifetime	> 5000 mating cycles
Wiring	flat tabs for 3/16" , (FASTON®; 4.8 x 0.5 mm) or soldering
General Comment Text	Layout
Material	
Boot	standard hole position, thru holes
Shell	black
Environmental	
Area of application	-30" , "+80