

1-34 **TIMER ACCESSORIES**

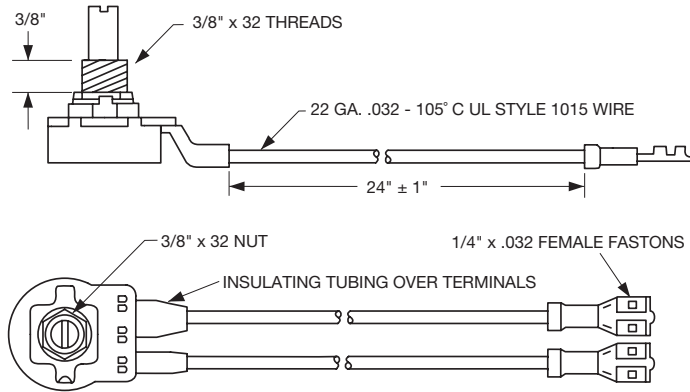
Potentiometer

NCC remote mounting potentiometers have 24" wire leads, dust protection, 1/4" shaft (no knob) and are calibrated to provide constant timing. These are suitable for mounting through a panel and can be used with a dial and knob.

A locking bushing is used in place of knob to secure setting. Not for use on K or CKK Series timers.

ORDERING INFORMATION

1 Megohm remote potentiometer	ASY-0001M-450
Locking bushing	MLO-K1701-011

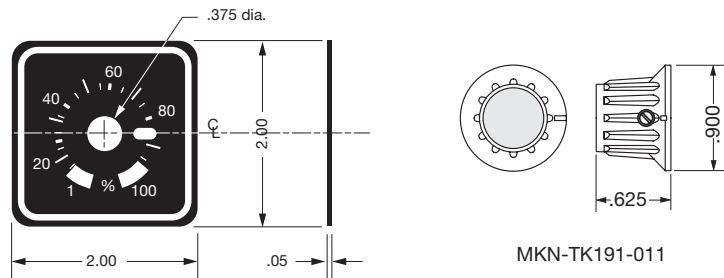


Dial Plate

Range 1 to 100% Dial Plate is shown, others shown in chart are typical.

ORDERING INFORMATION

Dial Plate - Range: 1 to 100%	MDP-0100%-011
Dial Plate - Range: .05 to 2 sec.	MDP-00002-011
Dial Plate - Range: .05 to 5 sec.	MDP-00005-011
Dial Plate - Range: .1 to 10 sec.	MDP-00010-011
Dial Plate - Range: .3 to 30 sec.	MDP-00030-011
Dial Plate - Range: .6 to 60 sec.	MDP-00060-011
Dial Plate - Range: 1.2 to 120 sec.	MDP-00120-011
Dial Plate - Range: 1.8 to 180 sec.	MDP-00180-011
Dial Plate - Range: 3 to 300 sec.	MDP-00300-011
Knob: 1" skirt, 1/4" hole, brass insert	MKN-TK191-011

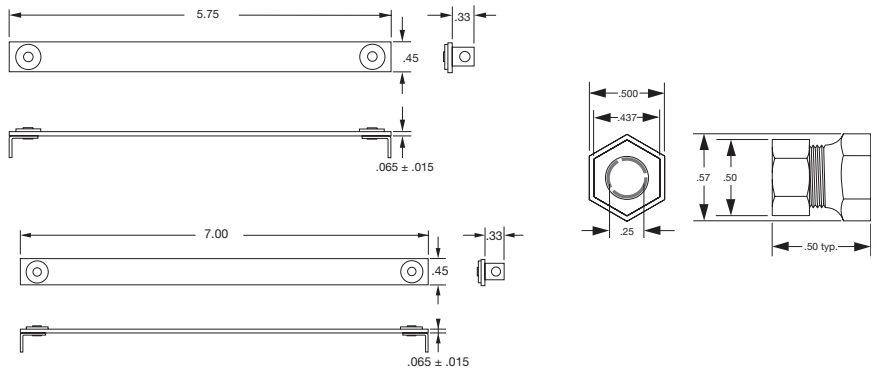


Hold-down Straps

A locking bushing is used in place of knob to secure setting. Used on all plug in timers with knobs except K and CKK Series.

ORDERING INFORMATION

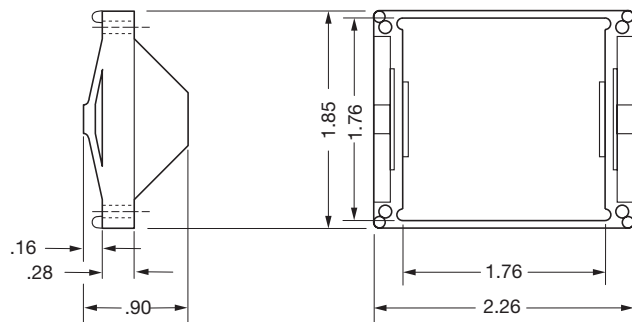
Hold-down strap for K Series timers	ASY-STRAP-5.75L
Hold-down strap for T, S, A, and CKK timers	ASY-STRAP-7.00L
Locking bushing	MLO-010MM-.75



Mounting Bracket

ORDERING INFORMATION

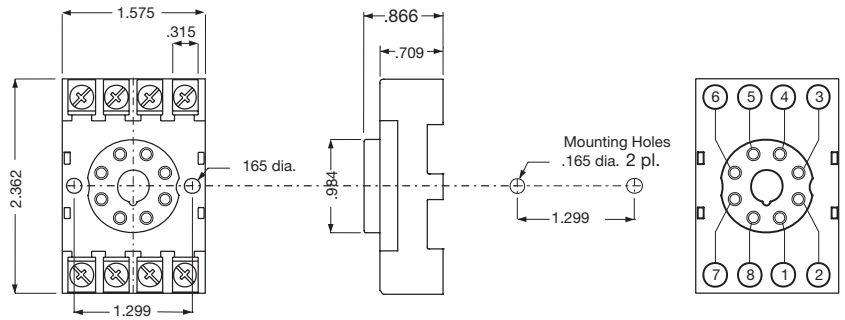
Mounting bracket for 1/16 DIN enclosure	MBK-1/16D-011
---	---------------



Sockets

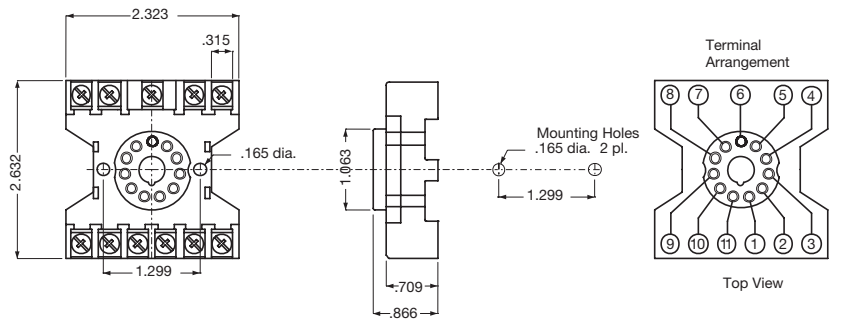
ORDERING INFORMATION

8-pin circular socket, DIN rail mountable	MSO-0008P-012
---	---------------



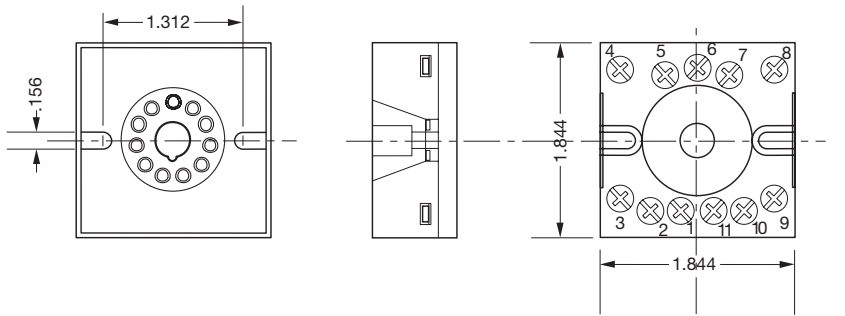
ORDERING INFORMATION

11-pin circular socket, DIN rail mountable	MSO-0011P-012
--	---------------



ORDERING INFORMATION

11-pin circular socket for DIN panel mount	MSO-0011P-013
--	---------------



ORDERING INFORMATION

11-pin spade socket, DIN rail mountable	MSO-00KUP-012
---	---------------

