

# AR7 series

- Automotive Relay
- 70 AMP Contact Rating
- Small Size
- Quick Connect or PC Board Terminals
- RoHS Compliant

## Contact Data

Arrangements: 1 Form A (SPST-NO)

Material: AgSnO<sub>2</sub>

Max Switching Current: 70 amps

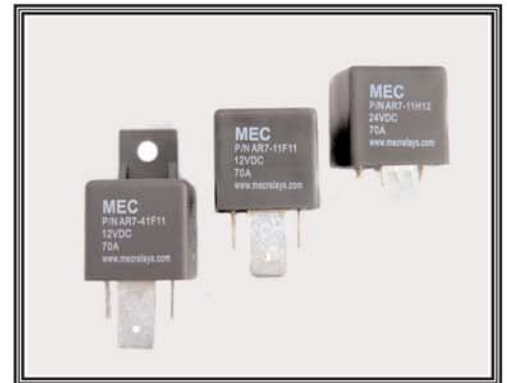
Max. Switching Power: 980 W

Max. Switching Voltage: 75VDC

Expected Life:

Electrical: 100,000 Operations @ 70 Amp/14 VDC resistive

Mechanical: 10 Million Operations



## Coil Data

Voltage: 6,12 and 24VDC

Coil Voltage	Coil Resistance +/- 10% (ohms)	Must-Operate Voltage (VDC)	Must-Release Voltage (VDC)	Nom. Power
6	19	3.6	0.6	1.9W
12	76	7.2	1.2	1.9W
24	303	14.4	2.4	1.9W

## Environmental Data

Operating Temperature Range: -40°C - + 105°C

Shock Resistance: 30m/S<sup>2</sup> 6ms

Vibration Resistance: 20-500Hz., 1.8mm double amplitude

## Ordering Information

Family -	Enclosure	Contact Arrangement	Coil Voltage	Contact Material	Terminals	- Options
AR7	1 = Dust Cover 4 = Dust Cover with Bracket	1 = 1 Form A	D = 6VDC F = 12VDC H = 24VDC	1=AgSnO <sub>2</sub>	1 = Quick Connect 2 = Printed Circuit	S01 = 680 ohm resistor in parallel with 12VDC coil S08 = 2700 ohm resistor in parallel with 24VDC



MASTER ELECTRONIC CONTROLS

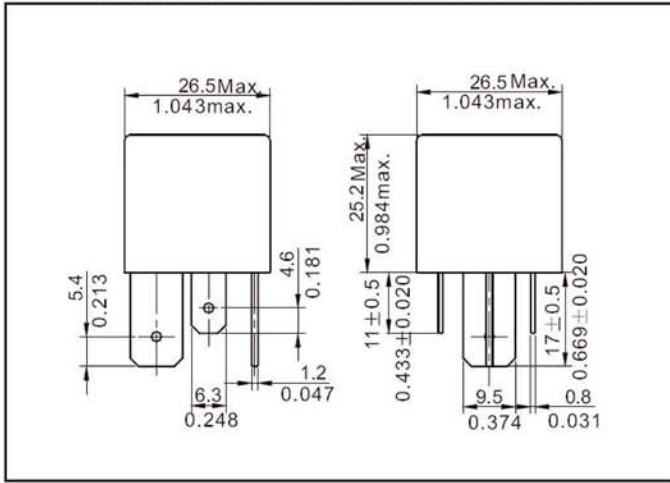
PHONE: 310-586-9100 FAX: 310-586-1164

WWW.MECRELAYS.COM

**Dimensions**

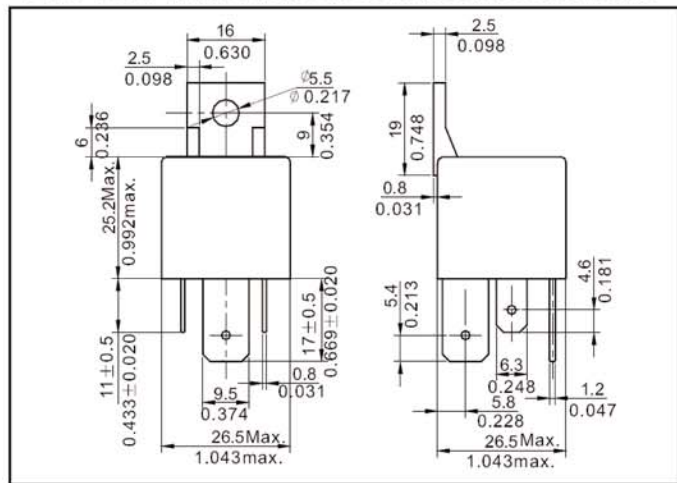
**AR7-1**

**Dust Cover with Quick Connect Terminals**

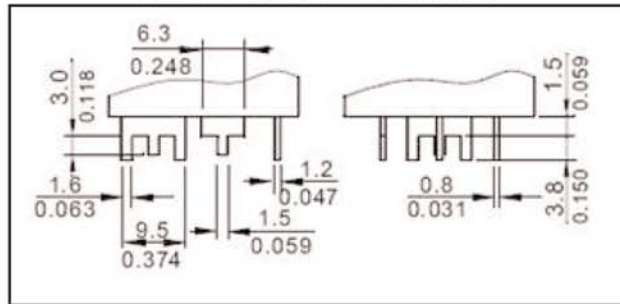


**AR7-4**

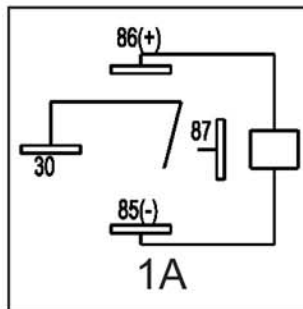
**Dust Cover with Bracket and Quick Connect Terminals**



**Printed Circuit Board Terminals**

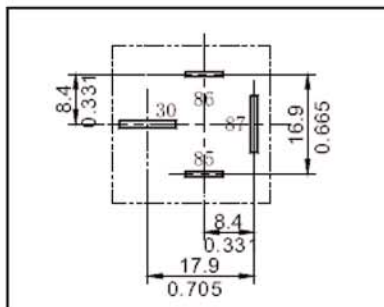


**Wiring Diagrams (Bottom Views)**

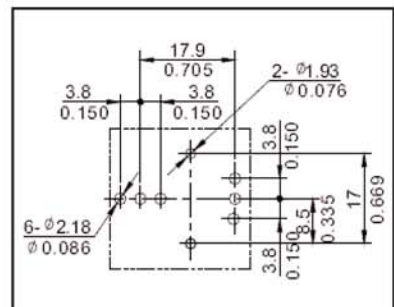


**Suggested PC Board Layouts (Bottom Views)**

**Quick Connect Terminals**



**Printed Circuits Board Terminals**



MASTER ELECTRONIC CONTROLS

PHONE: 310-586-9100 FAX: 310-586-1164

WWW.MECELRAYS.COM