

AR7 series

- Automotive Relay
- 70 AMP Contact Rating
- Small Size
- Quick Connect or PC Board Terminals
- RoHS Compliant

Contact Data

Arrangements: 1 Form A (SPST-NO)

Material: AgSnO₂

Max Switching Current: 70 amps

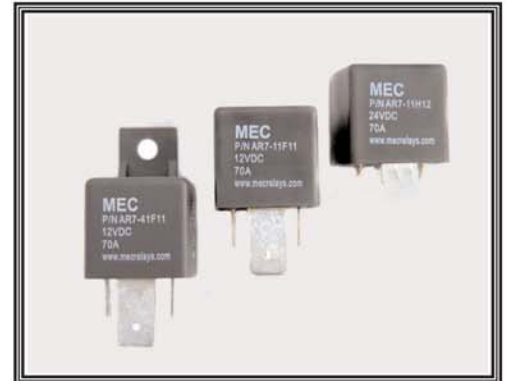
Max. Switching Power: 980 W

Max. Switching Voltage: 75VDC

Expected Life:

Electrical: 100,000 Operations @ 70 Amp/14 VDC resistive

Mechanical: 10 Million Operations



Coil Data

Voltage: 6,12 and 24VDC

Coil Voltage	Coil Resistance +/- 10% (ohms)	Must-Operate Voltage (VDC)	Must-Release Voltage (VDC)	Nom. Power
6	19	3.6	0.6	1.9W
12	76	7.2	1.2	1.9W
24	303	14.4	2.4	1.9W

Environmental Data

Operating Temperature Range: -40°C - + 105°C

Shock Resistance: 30m/S² 6ms

Vibration Resistance: 20-500Hz., 1.8mm double amplitude

Ordering Information

Family -	Enclosure	Contact Arrangement	Coil Voltage	Contact Material	Terminals	- Options
AR7	1 = Dust Cover 4 = Dust Cover with Bracket	1 = 1 Form A	D = 6VDC F = 12VDC H = 24VDC	1=AgSnO ₂	1 = Quick Connect 2 = Printed Circuit	S01 = 680 ohm resistor in parallel with 12VDC coil S08 = 2700 ohm resistor in parallel with 24VDC



MASTER ELECTRONIC CONTROLS

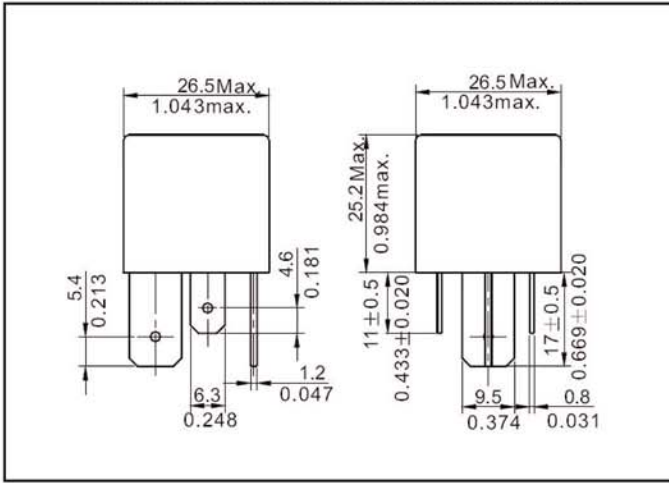
PHONE: 310-586-9100 FAX: 310-586-1164

WWW.MECRELAYS.COM

Dimensions

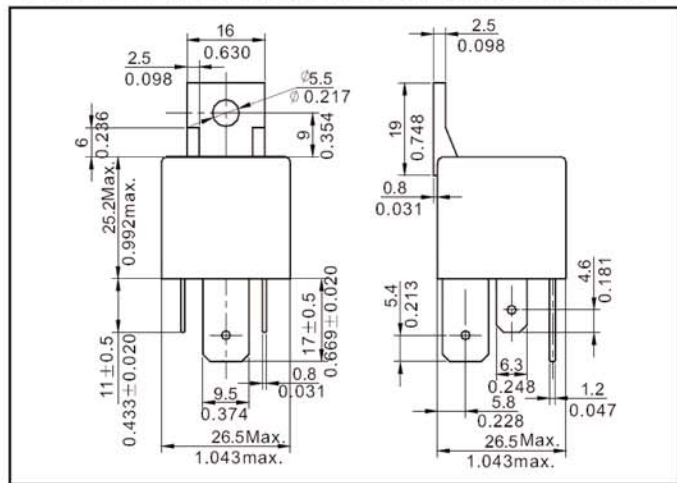
AR7-1

Dust Cover with Quick Connect Terminals

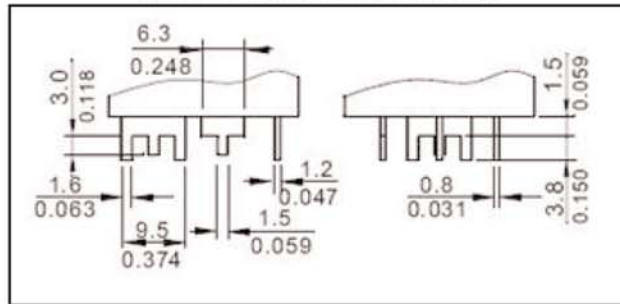


AR7-4

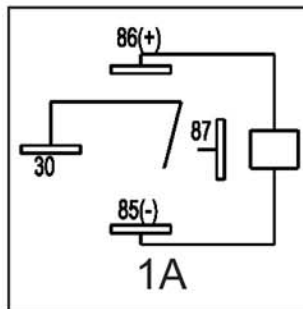
Dust Cover with Bracket and Quick Connect Terminals



Printed Circuit Board Terminals

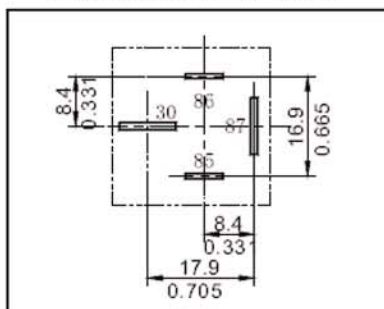


Wiring Diagrams (Bottom Views)

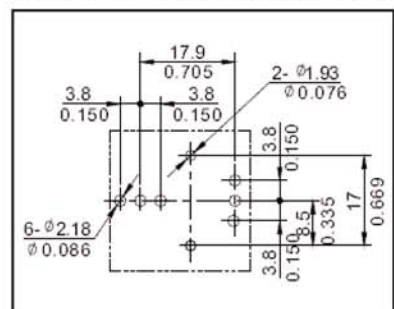


Suggested PC Board Layouts (Bottom Views)

Quick Connect Terminals



Printed Circuits Board Terminals



MASTER ELECTRONIC CONTROLS

PHONE: 310-586-9100 FAX: 310-586-1164

WWW.MECRELAYS.COM