



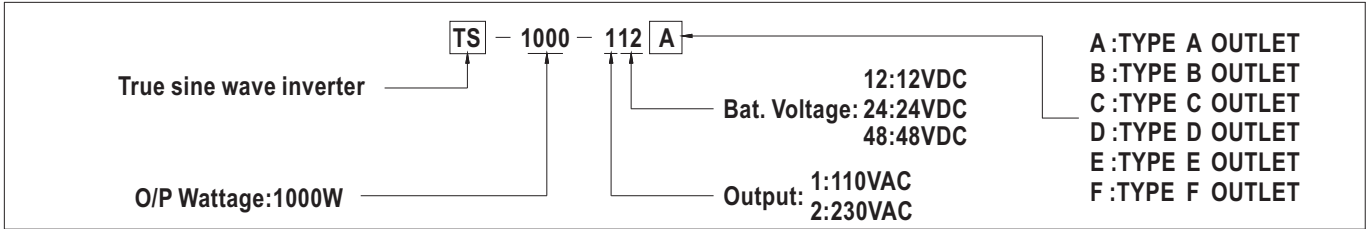
■ Features :

- True sine wave output (THD<3%)
- High surge power up to 2000W
- High efficiency up to 92%
- Power ON-OFF switch
- Standby saving mode can be selected
- Front panel indicator for operation status
- Built-in fan ON-OFF control function
- Protections: Bat. low alarm / Bat. low shutdown / Over voltage / Over temp. / Output short / Input reverse polarity / Overload
- Application : Home appliance, power tools, office and portable equipment, vehicle and yacht ...etc.
- 3 years warranty



SPECIFICATION

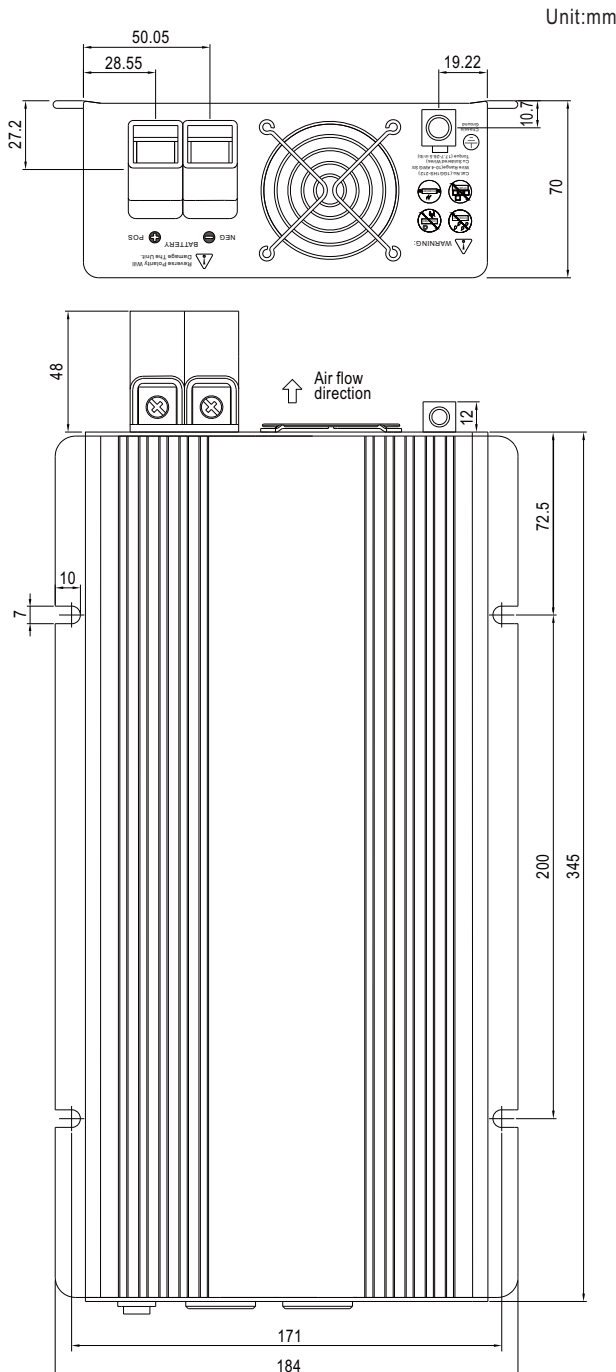
MODEL	TS-1000-112□	TS-1000-124□	TS-1000-148□	TS-1000-212□	TS-1000-224□	TS-1000-248□
OUTPUT	RATED POWER (Typ.) 1000W					
	MAXIMUM OUTPUT POWER (Typ.) 1150W for 180 sec. / 1500W for 10 sec. / surge power 2000W for 30 cycles					
	AC VOLTAGE			AC VOLTAGE		
	Factory setting set at 110VAC			Factory setting set at 230VAC		
	100 / 110 / 115 / 120VAC selectable by setting button S.W			200 / 220 / 230 / 240VAC selectable by setting button S.W		
	FREQUENCY			FREQUENCY		
	60±0.1Hz 50/60Hz selectable by setting button S.W			50±0.1Hz 50/60Hz selectable by setting button S.W		
WAVEFORM Note.6 True sine wave (THD<3%)						
AC REGULATION (Typ.) ±3.0%						
SAVING MODE (Typ.) Default disabled. Load ≤5W will be changed to standby mode						
FRONT PANEL INDICATOR Battery voltage level, output load level, saving mode, fault and operation status						
INPUT	BAT. VOLTAGE		BAT. VOLTAGE		BAT. VOLTAGE	
	12V		24V		48V	
	VOLTAGE RANGE (Typ.) Note.4,6		VOLTAGE RANGE (Typ.) Note.4,6		VOLTAGE RANGE (Typ.) Note.4,6	
	10.5 ~ 15VDC		21 ~ 30VDC		42 ~ 60VDC	
	DC CURRENT (Typ.)		DC CURRENT (Typ.)		DC CURRENT (Typ.)	
	100A		50A		25A	
	NO LOAD DISSIPATION (Typ.) ≤6W @ standby saving mode					
OFF MODE CURRENT DRAW ≤1mA						
EFFICIENCY (Typ.) Note.1		EFFICIENCY (Typ.) Note.1		EFFICIENCY (Typ.) Note.1		
88%		89%		90%		
BATTERY TYPES Open & sealed lead acid						
BATTERY INPUT PROTECTION	FUUSE		FUUSE		FUUSE	
	40A*4		40A*2		20A*2	
	BAT. LOW ALARM		BAT. LOW ALARM		BAT. LOW ALARM	
	11.3±4%		22.5±4%		45±4%	
BAT. LOW SHUTDOWN		BAT. LOW SHUTDOWN		BAT. LOW SHUTDOWN		
10.5±4%		21±4%		42±4%		
REVERSE POLARITY By internal fuse open						
OUTPUT PROTECTION	OVER TEMPERATURE			OVER TEMPERATURE		
	90°C ± 5°C			70°C ± 5°C		
	Protection type : Shut down o/p voltage, re-power on to recover; by internal RTH3 detect on heatsink of power diode					
	OUTPUT SHORT Protection type : Shut down o/p voltage, re-power on to recover					
OVER LOAD (Typ.) 105 ~ 115% load for 180 sec., 115% ~ 150% load for 10 sec.						
Protection type : Shut down o/p voltage, re-power on to recover						
GFCI PROTECTION Optional (Only type F) None						
ENVIRONMENT	WORKING TEMP. Note.3 0 ~ +40°C @ 100% load ; +60°C @ 50% load					
	WORKING HUMIDITY 20% ~ 90% RH non-condensing					
	STORAGE TEMP., HUMIDITY -30 ~ +70°C / -22 ~ +158°F, 10 ~ 95% RH non-condensing					
	VIBRATION 10 ~ 500Hz, 3G 10min./1cycle, 60min. each along X, Y, Z axes					
SAFETY & EMC	SAFETY STANDARDS UL458 (only for "GFCI" receptacle-Type F) None					
	LVD			LVD		
	None			EN60950-1		
	WITHSTAND VOLTAGE Bat I/P - AC O/P:3.0KVAC AC O/P - FG:1.5KVAC					
	ISOLATION RESISTANCE AC O/P-FG, Bat I/P-FG:100M Ohms/500VDC / 25°C / 70% RH					
	EMC EMISSION			EMC EMISSION		
Compliance to FCC class A			Compliance to EN55032 class A, 72/ 245/ CEE, 95/ 54/ CE, E-Mark			
EMC IMMUNITY None Compliance to EN61000-4-2,3,8						
OTHERS	MTBF 66.9K hrs min. MIL-HDBK-217F (25°C)					
	DIMENSION 345*184*70mm (L*W*H)					
	PACKING 4.3Kg; 2pcs/9.6Kg/1.16CUFT					
	COOLING Loading controlled cooling fan for GFCI receptacle-type F ; Thermostatically controlled cooling fan for others.					
NOTE	1.Efficiency is tested by 750W, linear load at 13V, 26V, 52V input voltage. 2.All parameters not specified above are measured at rated load, 25°C of ambient temperature and set to factory setting. 3.Output derating capacity referenced by curve 1. 4.Input derating capacity referenced by curve 2. 5.The tolerance of each voltage value by models is:112/212→±0.5V;124/224→±1V;148/248→±2V 6.TH.D is tested by 1000W, linear load at 13,26,52V input voltage.					



■ AC Output Receptacles (optional)

Receptacle type						
Country	USA	EUROPE	AUSTRALIA	U.K	JAPAN	GFCI
Certificate						

■ Mechanical Specification



■ Derating Curve

