

# Trimmer Potentiometers



**for EU RoHS Compliant**

- All the products in this catalog comply with EU RoHS.
- EU RoHS is "the European Directive 2002/95/EC on the Restriction of the Use of Certain Hazardous Substances in Electrical and Electronic Equipment".
- For more details, please refer to our website 'Murata's Approach for EU RoHS' (<http://www.murata.com/info/rohs.html>).

# CONTENTS

<b>Part Numbering</b>	_____	2
<b>Selection Guide of Trimmer Potentiometers</b>	_____	3
<b>1 SMD Open Type 2mm Size PVZ2/PVA2 Series</b>	_____	4
● PVZ2/PVA2 Series Notice	_____	8
<b>2 SMD Open Type 3mm Size PVZ3 Series</b>	_____	10
● PVZ3 Series Notice	_____	14
<b>3 SMD Sealed Type 3mm Size PVG3 Series</b>	_____	16
● PVG3 Series Notice	_____	19
<b>4 SMD Sealed Type 4mm Size PVM4 Series</b>	_____	21
● PVM4 Series Notice	_____	23
<b>5 SMD Sealed Type Multi-turn PVG5 Series</b>	_____	26
● PVG5 Series Notice	_____	29
<b>6 Lead Sealed Type Single-turn PV32 Series</b>	_____	31
● PV32 Series Notice	_____	34
<b>7 Lead Sealed Type Multi-turn PV12/PV37/PV36 Series</b>	_____	36
● PV12/PV37/PV36 Series Notice	_____	43
<b>SMD Open Type (PVZ2/A2/Z3)/SMD Sealed Type (PVM4A_C01 Series) Specifications and Test Methods</b>	_____	45
<b>SMD Sealed Type (PVG3/M4A_D01/G5)/Lead Sealed Type (PV32/12/37/36) Specifications and Test Methods</b>	_____	46
<b>Packaging</b>	_____	49
<b>Recommended Adjustment Tools/Qualified Standards</b>	_____	52

• The RoHS compliance means that we judge from EU Directive 2002/95/EC the products do not contain lead, cadmium, mercury, hexavalent chromium, PBB and PBDE, except exemptions stated in EU Directive 2002/95/EC annex and impurities existing in the natural world.  
 • This statement does not insure the compliance of any of the listed parts with any laws or legal imperatives developed by any EU members individually with regards to the RoHS Directive.

## ● Part Numbering

### Trimmer Potentiometers

(Part Number) 

PV	Z3	A	103	C01	R00
①	②	③	④	⑤	⑥

#### ① Product ID

Product ID	
<b>PV</b>	Trimmer Potentiometers

#### ② Series

#### ③ Adjustment Direction /Lead Type

Code	Series	Code	Adjustment Direction/ Lead Type
<b>Z2</b>	SMD Open 2mm Size Carbon Resistive Element	<b>A</b>	Top
		<b>R</b>	Rear
<b>A2</b>	SMD Open 2mm Size	<b>A</b>	Top
<b>Z3</b>	SMD Open 3mm Size Carbon Resistive Element	<b>A</b>	Top
		<b>G</b>	Top
		<b>H</b>	Top
		<b>K</b>	Rear
<b>G3</b>	SMD Sealed 3mm Size	<b>A</b>	Top, J-hook
		<b>G</b>	Top, Gull-wing
<b>M4</b>	SMD Sealed 4mm Size	<b>A</b>	Top
<b>G5</b>	SMD Sealed 5mm Square 11-turns	<b>A</b>	Top
		<b>H</b>	Side
<b>32</b>	Lead Sealed 6mm Round Single-turn	<b>H</b>	Top, Triangle
		<b>N</b>	Side, Triangle
<b>12</b>	Lead Sealed 7mm Round 4-turns	<b>P</b>	Top, Triangle
		<b>T</b>	Side, Triangle
<b>36</b>	Lead Sealed 10mm Square 25-turns	<b>W</b>	Top, Inline
		<b>X</b>	Side, Inline
<b>37</b>	Lead Sealed 6mm Square 12-turns	<b>W</b>	Top, Triangle
		<b>X</b>	Side, Triangle

#### ④ Total Resistance

Expressed by three figures. The unit is ohm. The first and second figures are significant digits, and the third figure expresses the number of zeros which follow the two figures.

Ex.)	Code	Total Resistance
	<b>100</b>	10Ω
	<b>102</b>	1000Ω
	<b>104</b>	100000Ω (=100kΩ)

#### ⑤ Individual Specification

Series	Code	Individual Specification Code
<b>PVA2</b>	<b>A01</b>	Standard Type
<b>PVZ2</b>	<b>C04</b>	Standard Type (High-heat Resistance Type/Ultra-thin Type)
	<b>C01</b>	Standard Type (High-heat Resistance Type/Top Adjustment)
<b>PVZ3</b>	<b>F01</b>	High Characteristic Carbon Type (only PVZ3G)
	<b>E01</b>	High-heat Resistance Type (for Rear Adjustment)
	<b>C01</b>	Standard Type
<b>PVM4</b>	<b>D01</b>	High-liability Type
	<b>A01</b>	Standard Type
<b>PV32/PV12</b>	<b>A01</b>	Standard Type
<b>PVG3/ PV36/PV37</b>	<b>C01</b>	Standard Type
<b>PVG5</b>	<b>C03</b>	Standard Type

#### ⑥ Packaging

Code	Packaging
<b>B00</b>	Bulk
<b>R00</b>	Reel

## Selection Guide of Trimmer Potentiometers

### Mounting Method?

#### Surface Mount

#### PCB Insertion Sealed Construction

#### Construction?

#### Adjustment?

##### Open

##### Sealed

##### Top

##### Side

##### Carbon Resistive Element

##### Cermet Resistive Element

##### Cermet Resistive Element

##### Cermet Resistive Element

2mm size Single Turn

3mm size Single Turn

6mm size Single Turn

6mm size Single Turn



**PVZ2A\_C04**  
Low Profile (0.85mm max.)



**PVG3A**  
for Automatic Adjustment  
with Rotational Stop



**PV32H**  
with Rotational Stop



**PV32N**  
with Rotational Stop



**PVZ2R**  
Rear Adjustment Low Profile with  
Smaller Foot Print (0.9mm max.)



**PVG3G**  
with Rotational Stop

7mm size 4 Turns

7mm size 4 Turns

3mm size Single Turn

4mm size Single Turn



**PV12P**



**PV12T**



**PVZ3A**  
for Automatic Adjustment



**PVM4**

6mm size 12 Turns

6mm size 12 Turns



**PVZ3G**  
Top Adjustment Low Profile  
(1.25mm max.)



5mm size 11 Turns



**PV37W**



**PV37X**



**PVZ3H**  
Top Adjustment

10mm size 25 Turns

10mm size 25 Turns



**PVZ3K**  
Rear Adjustment



**PV36W**



**PV36X**

##### Cermet Resistive Element

2mm size Single Turn



**PVA2**  
for Automatic Adjustment  
(0.9mm max.)

# Trimmer Potentiometers



## SMD Open Type 2mm Size PVZ2/PVA2 Series

### PVZ2 Series

#### ■ Features

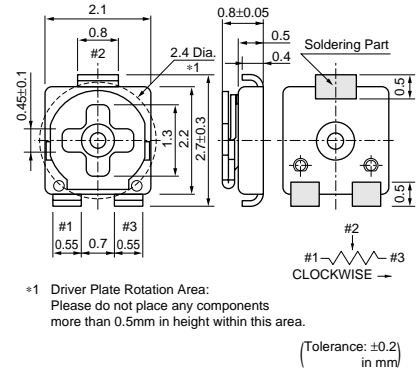
1. Ultra-small and thin external dimensions of 2.1(W)x2.7(L)x0.85 max. (T)mm.  
(Top adjustment type: PVZ2A\_C04 Series)
2. Ultra-small and thin external dimensions of 2.1(W)x4.8(L)x0.9 max. (T)mm.  
(Rear adjustment type: PVZ2R\_C04 Series)  
Compact PCB design is possible by smaller adjustment hole (3.0mm dia.) due to short wing length (4.8mm).
3. Au plated termination achieves a high density PCB mounting.
4. Cross-shaped driver slot allows for in-process automatic adjustment and it provides superior adjustability.
5. Two-piece parts construction achieves low cost and excellent quality.
6. Special resin substrate allows high peak temperature for reflow soldering. (PVZ2\_Cxx Series)
7. PVZ2 series comply with RoHS directive.

#### ■ Applications

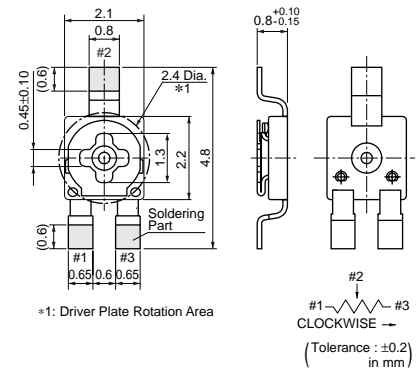
- |                   |                         |
|-------------------|-------------------------|
| 1. Pick-up module | 2. LCD                  |
| 3. Cellular-phone | 4. PHS                  |
| 5. Pager          | 6. DVC                  |
| 7. Digital camera | 8. Portable audio, etc. |
| 9. RKE            | 10. E-BOOK              |



PVZ2A



PVZ2R



### Top Adjustment

Part Number	Power Rating (W)	Number of Turns (Effective Rotation Angle)	Mechanical Angle	Total Resistance Value	TCR (ppm/°C)
PVZ2A471C04	0.1(50°C)	1(240±10°)	Continuous	470ohm ±30%	±500
PVZ2A102C04	0.05(50°C)	1(240±10°)	Continuous	1k ohm ±30%	±500
PVZ2A222C04	0.1(50°C)	1(240±10°)	Continuous	2.2k ohm ±30%	±500
PVZ2A472C04	0.1(50°C)	1(240±10°)	Continuous	4.7k ohm ±30%	±500
PVZ2A103C04	0.05(50°C)	1(240±10°)	Continuous	10k ohm ±30%	±500
PVZ2A223C04	0.1(50°C)	1(240±10°)	Continuous	22k ohm ±30%	±500
PVZ2A473C04	0.1(50°C)	1(240±10°)	Continuous	47k ohm ±30%	±500
PVZ2A104C04	0.05(50°C)	1(240±10°)	Continuous	100k ohm ±30%	±500
PVZ2A224C04	0.1(50°C)	1(240±10°)	Continuous	220k ohm ±30%	±500
PVZ2A474C04	0.1(50°C)	1(240±10°)	Continuous	470k ohm ±30%	±500
PVZ2A105C04	0.05(50°C)	1(240±10°)	Continuous	1M ohm ±30%	±500

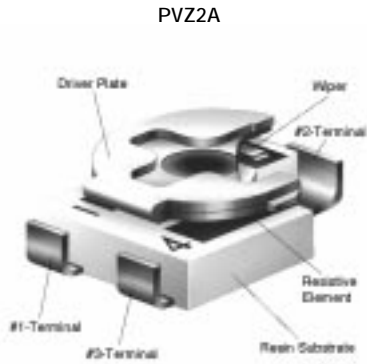
\*Available for other resistance value.  
 Operating Temperature Range: -25 to 85 °C  
 Soldering Method: Reflow/Soldering Iron

## Rear Adjustment

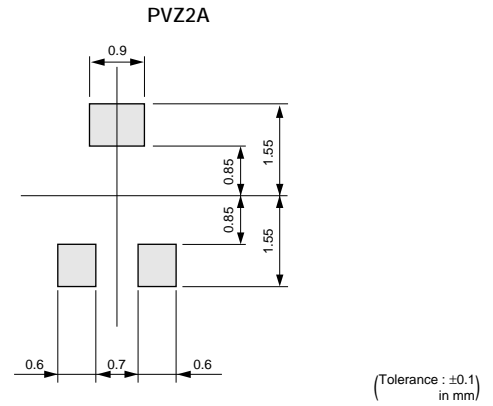
Part Number	Power Rating (W)	Number of Turns (Effective Rotation Angle)	Mechanical Angle	Total Resistance Value	TCR (ppm/°C)
PVZ2R471C04	0.1(50°C)	1(240±10°)	Continuous	470ohm ±30%	±500
PVZ2R102C04	0.1(50°C)	1(240±10°)	Continuous	1k ohm ±30%	±500
PVZ2R222C04	0.1(50°C)	1(240±10°)	Continuous	2.2k ohm ±30%	±500
PVZ2R472C04	0.1(50°C)	1(240±10°)	Continuous	4.7k ohm ±30%	±500
PVZ2R103C04	0.1(50°C)	1(240±10°)	Continuous	10k ohm ±30%	±500
PVZ2R223C04	0.1(50°C)	1(240±10°)	Continuous	22k ohm ±30%	±500
PVZ2R473C04	0.1(50°C)	1(240±10°)	Continuous	47k ohm ±30%	±500
PVZ2R104C04	0.1(50°C)	1(240±10°)	Continuous	100k ohm ±30%	±500
PVZ2R224C04	0.1(50°C)	1(240±10°)	Continuous	220k ohm ±30%	±500
PVZ2R474C04	0.1(50°C)	1(240±10°)	Continuous	470k ohm ±30%	±500
PVZ2R105C04	0.1(50°C)	1(240±10°)	Continuous	1M ohm ±30%	±500

\*Available for other resistance value.  
 Operating Temperature Range: -25 to 85 °C  
 Soldering Method: Reflow/Soldering Iron

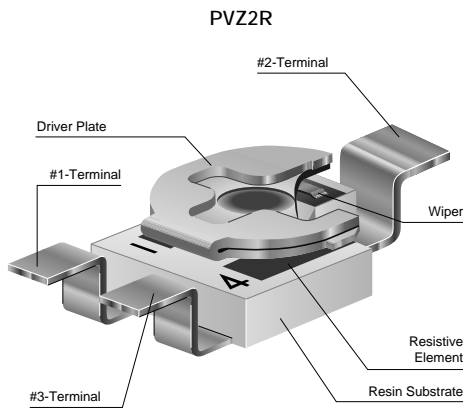
### Construction



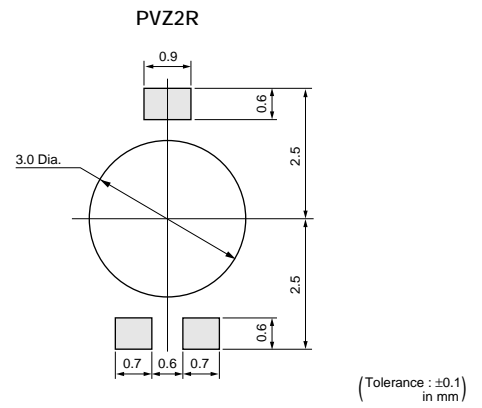
### Standard Land Pattern



### Construction



### Standard Land Pattern



Continued on the following page.

Continued from the preceding page.

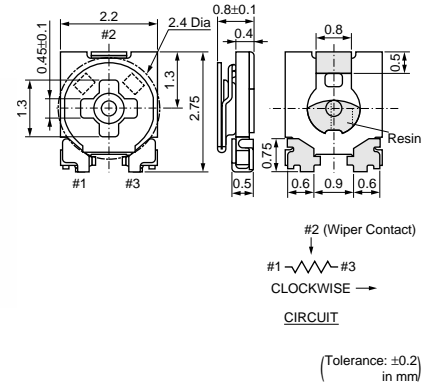
## Characteristics

Humidity Exposure	Res. Change: +10, -2%
High Temperature Exposure	Res. Change: $R \leq 50\text{kohm} \dots +2, -10\%$ $50\text{kohm} < R \dots +2, -15\%$
Humidity Load Life	Res. Change: $\pm 10\%$
Load Life	Res. Change: $R \leq 50\text{kohm} \dots +2, -10\%$ $50\text{kohm} < R \dots +2, -15\%$
Temperature Cycle	Res. Change: $\pm 5\%$
Rotational Life	Res. Change: $\pm 10\%$ (10 cycles)

## PVA2 Series

### Features

1. Ultra-small and thin external dimensions of 2.2(W)x2.75(L)x0.90 max.(T)mm.
2. For the terminal attachment method of construction which uses neither solder nor adhesives, good solderability and terminal attachment intensity are realized.
3. Because of multi-contact wiper structure, PVA2 has a stable characteristics (low noise).
4. PVA2 series do not use a solder, flux and cleaning solvent, so they are environmentally friendly products.
5. Heat resistance performance enables high temperature peak re-flow soldering.
6. PVA2 series comply with RoHS directive.



### Applications

1. Thin-model optical pick-up module
2. LCD module
3. Optical communication module
4. Small sensor module
5. Digital camera
6. Small telecommunications equipment, etc.
7. E-BOOK

Part Number	Power Rating (W)	Number of Turns (Effective Rotation Angle)	Mechanical Angle	Total Resistance Value	TCR (ppm/°C)
PVA2A101A01	0.1(70°C)	1(260±10°)	Continuous	100ohm ±25%	±250
PVA2A221A01	0.1(70°C)	1(260±10°)	Continuous	220ohm ±25%	±250
PVA2A471A01	0.1(70°C)	1(260±10°)	Continuous	470ohm ±25%	±250
PVA2A102A01	0.1(70°C)	1(260±10°)	Continuous	1k ohm ±25%	±250
PVA2A222A01	0.1(70°C)	1(260±10°)	Continuous	2.2k ohm ±25%	±250
PVA2A472A01	0.1(70°C)	1(260±10°)	Continuous	4.7k ohm ±25%	±250
PVA2A103A01	0.1(70°C)	1(260±10°)	Continuous	10k ohm ±25%	±250
PVA2A223A01	0.1(70°C)	1(260±10°)	Continuous	22k ohm ±25%	±250
PVA2A473A01	0.1(70°C)	1(260±10°)	Continuous	47k ohm ±25%	±250
PVA2A104A01	0.1(70°C)	1(260±10°)	Continuous	100k ohm ±25%	±250
PVA2A224A01	0.1(70°C)	1(260±10°)	Continuous	220k ohm ±25%	±250
PVA2A474A01	0.1(70°C)	1(260±10°)	Continuous	470k ohm ±25%	±250
PVA2A105A01	0.1(70°C)	1(260±10°)	Continuous	1M ohm ±25%	±250
PVA2A225A01	0.1(70°C)	1(260±10°)	Continuous	2.2M ohm ±25%	±250

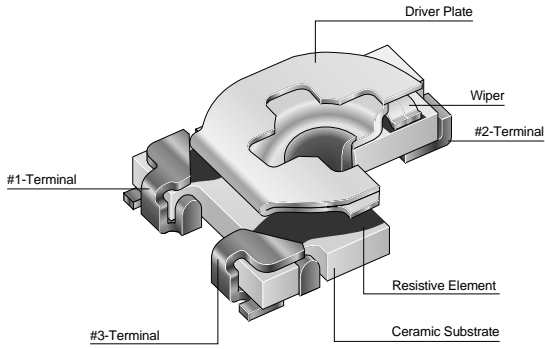
\*Available for other resistance value.

Operating Temperature Range: -55 to 125 °C

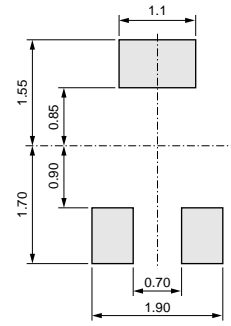
Soldering Method: Reflow/Soldering Iron



■ Construction



■ Standard Land Pattern



( Tolerance : ±0.1 in mm )

■ Characteristics

Humidity Exposure	Res. Change: ±3%
High Temperature Exposure	Res. Change: ±3%
Humidity Load Life	Res. Change: ±3%
Load Life	Res. Change: ±3%
Temperature Cycle	Res. Change: ±3%
Rotational Life	Res. Change: ±10% (10 cycles)

## PVZ2/PVA2 Series Notice

### ■ Notice (Operating and Storage Conditions)

1. Store in temperatures of -10 to +40 deg. C and relative humidity of 30-85%.
2. Do not store in or near corrosive gases.
3. Use within six months after delivery.
4. Open the package just before using.
5. Do not store under direct sunlight.
6. If you use the trimmer potentiometer in an environment other than listed below, please consult with a Murata factory representative prior to using.

The trimmer potentiometer should not be used under the following environmental conditions:

- (1) Corrosive gaseous atmosphere  
(Ex. Chlorine gas, Hydrogen sulfide gas, Ammonia gas, Sulfuric acid gas, Nitric oxide gas, etc.)
- (2) In liquid  
(Ex. Oil, Medical liquid, Organic solvent, etc.)
- (3) Dusty/dirty atmosphere
- (4) Direct sunlight
- (5) Static voltage nor electric/magnetic fields
- (6) Direct sea breeze
- (7) Other variations of the above

### ■ Notice (Rating)

1. When using with partial load (rheostat), minimize the power depending on the resistance value.
2. The maximum input voltage to a trimmer potentiometer should not exceed  $(P \cdot R)^{1/2}$  or the maximum operating voltage, whichever is smaller.
3. If the trimmer potentiometer is used in DC and high humidity conditions, please connect wiper (#2) for plus and resistive element (#1 or #3) for minus.  
(PVZ Series only)

### ■ Notice (Soldering and Mounting)

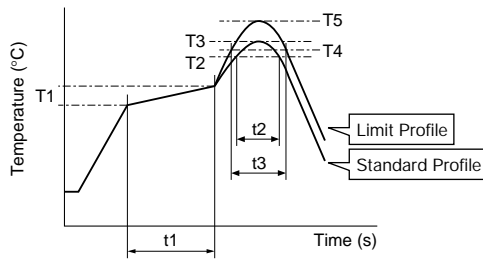
1. Soldering
  - (1) Reflow soldering method and soldering iron are available. Cannot be soldered using the flow soldering method (dipping). If you use the flow soldering method, the trimmer potentiometer may not function.
  - (2) Use our standard land dimension. Excessive land area causes displacement due to the effect of the surface tension of the solder. Insufficient land area leads to insufficient soldering strength of the chip.
  - (3) Soldering condition  
Refer to the temperature profile.  
If the soldering conditions are not suitable, e.g., excessive time and/or excessive temperature, the trimmer potentiometer may deviate from the specified characteristics.
  - (4) Apply the appropriate amount of solder paste.  
The thickness of solder paste should be printed from 100 micro m to 150 micro m and the dimension of land pattern used should be Murata's standard land pattern at reflow soldering.  
Insufficient amounts of solder can lead to insufficient soldering strength on PCB.  
Excessive amounts of solder may cause bridging between the terminals.
  - (5) The soldering iron should not come in contact with the case of the trimmer potentiometer. If such contact does occur, the trimmer potentiometer may be damaged.
2. Mounting
  - (1) Do not apply excessive force, preferably 4.9N max. (Ref. 500gf) when the trimmer potentiometer is mounted to the PCB.
  - (2) Do not warp and/or bend PC board to prevent trimmer potentiometer from breakage.
  - (3) In chip placers, the recommended size of the cylindrical pick-up nozzle should be outer dimension 1.5-1.8mm dia. and inner dimension 1.3mm dia.
3. Cleaning
  - (1) In case there is flux on the resistive element, clean sufficiently with cleaning solvents and completely remove all residual flux.
  - (2) Isopropyl-alcohol and Ethyl-alcohol are applicable solvents for cleaning. If you use any other types of solvents, please evaluate performance with your product.

## PVZ2/PVA2 Series Notice

### ■ Soldering Profile

#### ● Reflow Soldering Profile

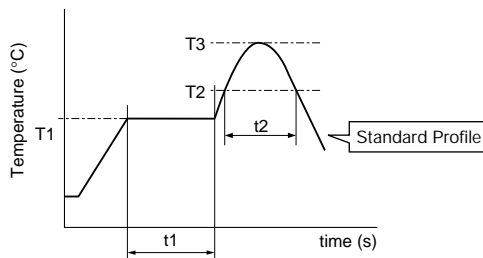
1. Soldering profile for Lead-free solder (96.5Sn/3.0Ag/0.5Cu)



Series	Standard Profile						Limit Profile					
	Pre-heating		Heating		Peak Temperature (T3)	Cycle of Reflow	Pre-heating		Heating		Peak Temperature (T5)	Cycle of Reflow
	Temp. (T1)	Time (t1)	Temp. (T2)	Time (t2)			Temp. (T1)	Time (t1)	Temp. (T4)	Time (t3)		
°C	sec.	°C	sec.	°C	Time	°C	sec.	°C	sec.	°C	Time	
<b>PVA2</b>	150 to 180	60 to 120	220	30 to 60	245±3	2	150 to 180	60 to 120	220	30 to 60	260 +5/-0	2
<b>PVZ2</b>	150 to 180	60 to 120	220	30 to 60	245±3	2	150 to 180	60 to 120	220	30 to 60	260	2

2. Soldering profile for Eutectic solder (63Sn/37Pb)

(Limit profile: refer to 1)



Series	Standard Profile					
	Pre-heating		Heating		Peak Temperature (T3)	Cycle of Reflow
	Temp. (T1)	Time (t1)	Temp. (T2)	Time (t2)		
°C	sec.	°C	sec.	°C	Time	
<b>PVA2</b>	150	60 to 120	183	30	230	1
<b>PVZ2</b>	150	60 to 120	183	30	230	1

#### ● Soldering Iron

Series	Standard Condition			
	Temperature of Soldering Iron Tip	Soldering Time	Soldering Iron Power Output	Cycle of Soldering Iron
	°C	sec.	W	Time
<b>PVA2</b>	350±10	3 max.	30 max.	1
<b>PVZ2</b>	350±10	3 max.	30 max.	1

#### ■ Notice (Handling)

- Use suitable screwdrivers that fit comfortably in driver slot. We recommend the screwdriver below.  
 \* Recommended screwdriver for manual adjustment  
 Murata P/N: KMDR190
- The screwdriver should be set in the products vertically, do not apply more than 4.9N (Ref. 500gf) of twist and stress after mounting onto PCB to prevent contact intermittence. If excessive force is applied, the trimmer potentiometer may not function.
- Please use within the effective rotational angle.  
 The trimmer potentiometer does not have a mechanical stop for over rotation. In cases out of effective rotational angle, the trimmer potentiometer may not function.
- When using a lock paint to fix slot position or cover the rotor, please evaluate performance with your product. Lock paint may cause corrosion or electrical contact problems.

#### ■ Notice (Other)

- Please make sure that your product has been evaluated and confirmed against your specifications when our product is mounted to your product.
- Murata cannot guarantee trimmer potentiometer integrity when used under conditions other than those specified in this document.

# Trimmer Potentiometers



## SMD Open Type 3mm Size PVZ3 Series

2

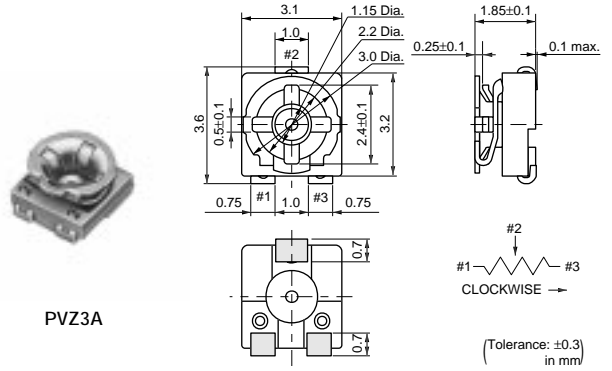
### PVZ3 Series

#### ■ Features

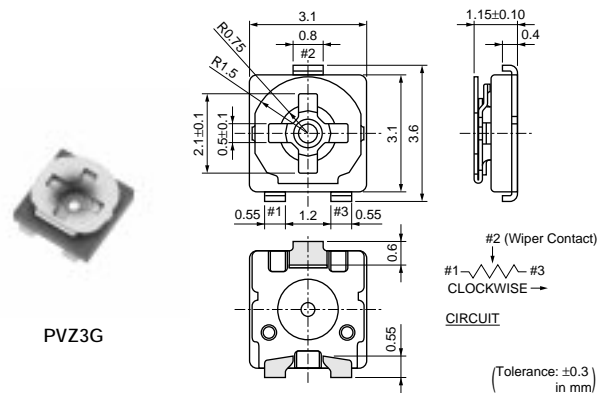
1. Excellent solderability characteristics are achieved via special plating techniques on each termination.
2. Specially designed substrate prevents wicking of flux onto the top of the part body.
3. Funnel shaped adjustment slot allows for in-process automatic adjustment.  
(PVZ3A/PVZ3H/PVZ3K Series)
4. High-heat resistance type is available  
(PVZ3A\_C01/PVZ3K\_E01).
5. Enlarged bottom termination enhances soldering strength while reducing the necessary land area required promoting high-density PCB mounting  
(PVZ3A/PVZ3H/PVZ3G Series).
6. The standard position of driver plate is adjusted at the center normally, but another position is also available.
7. This product meets PB-free standards.
8. Complies with RoHS directive.

#### ■ Applications

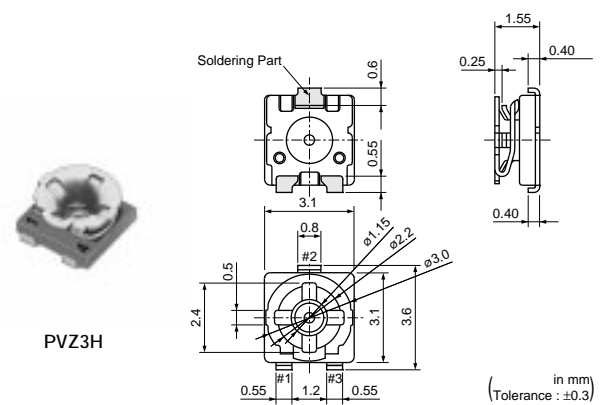
- |                      |                        |
|----------------------|------------------------|
| 1. Optical pick up   | 2. Cordless telephones |
| 3. CD players        | 4. E-BOOK              |
| 5. Motor             | 6. CD-ROMs             |
| 7. Car stereos       | 8. TFT-LCD TV sets     |
| 9. Headphone stereos |                        |



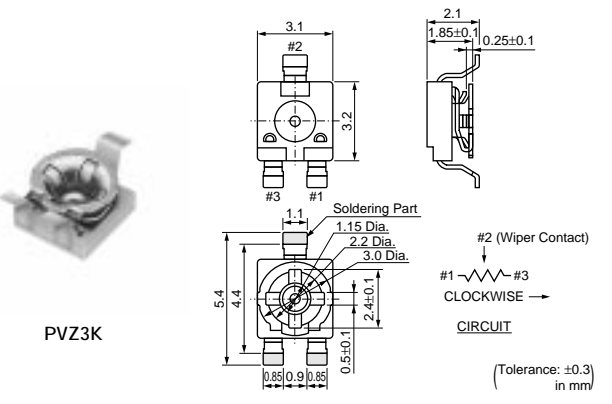
PVZ3A



PVZ3G



PVZ3H



PVZ3K



### Top Adjustment (H 1.85)

Part Number	Power Rating (W)	Number of Turns (Effective Rotation Angle)	Mechanical Angle	Total Resistance Value	TCR (ppm/°C)
PVZ3A221C01	0.1(50°C)	1(230±10°)	Continuous	220ohm ±30%	±500
PVZ3A471C01	0.1(50°C)	1(230±10°)	Continuous	470ohm ±30%	±500
PVZ3A102C01	0.1(50°C)	1(230±10°)	Continuous	1k ohm ±30%	±500
PVZ3A222C01	0.1(50°C)	1(230±10°)	Continuous	2.2k ohm ±30%	±500
PVZ3A472C01	0.1(50°C)	1(230±10°)	Continuous	4.7k ohm ±30%	±500
PVZ3A103C01	0.1(50°C)	1(230±10°)	Continuous	10k ohm ±30%	±500
PVZ3A223C01	0.1(50°C)	1(230±10°)	Continuous	22k ohm ±30%	±500
PVZ3A473C01	0.1(50°C)	1(230±10°)	Continuous	47k ohm ±30%	±500
PVZ3A104C01	0.1(50°C)	1(230±10°)	Continuous	100k ohm ±30%	±500
PVZ3A224C01	0.1(50°C)	1(230±10°)	Continuous	220k ohm ±30%	±500
PVZ3A474C01	0.1(50°C)	1(230±10°)	Continuous	470k ohm ±30%	±500
PVZ3A105C01	0.1(50°C)	1(230±10°)	Continuous	1M ohm ±30%	±500
PVZ3A225C01	0.1(50°C)	1(230±10°)	Continuous	2.2M ohm ±30%	±500

\*Available for other resistance value.

Operating Temperature Range: -25 to 85 °C Soldering Method: Reflow/Soldering Iron

### Top Adjustment (H 1.55)

Part Number	Power Rating (W)	Number of Turns (Effective Rotation Angle)	Mechanical Angle	Total Resistance Value	TCR (ppm/°C)
PVZ3H221C01	0.1(50°C)	1(230±10°)	Continuous	220ohm ±30%	±500
PVZ3H471C01	0.1(50°C)	1(230±10°)	Continuous	470ohm ±30%	±500
PVZ3H102C01	0.1(50°C)	1(230±10°)	Continuous	1k ohm ±30%	±500
PVZ3H222C01	0.1(50°C)	1(230±10°)	Continuous	2.2k ohm ±30%	±500
PVZ3H472C01	0.1(50°C)	1(230±10°)	Continuous	4.7k ohm ±30%	±500
PVZ3H103C01	0.1(50°C)	1(230±10°)	Continuous	10k ohm ±30%	±500
PVZ3H223C01	0.1(50°C)	1(230±10°)	Continuous	22k ohm ±30%	±500
PVZ3H473C01	0.1(50°C)	1(230±10°)	Continuous	47k ohm ±30%	±500
PVZ3H104C01	0.1(50°C)	1(230±10°)	Continuous	100k ohm ±30%	±500
PVZ3H224C01	0.1(50°C)	1(230±10°)	Continuous	220k ohm ±30%	±500
PVZ3H474C01	0.1(50°C)	1(230±10°)	Continuous	470k ohm ±30%	±500
PVZ3H105C01	0.1(50°C)	1(230±10°)	Continuous	1M ohm ±30%	±500
PVZ3H225C01	0.1(50°C)	1(230±10°)	Continuous	2.2M ohm ±30%	±500

\*Available for other resistance value.

Operating Temperature Range: -25 to 85 °C Soldering Method: Reflow/Soldering Iron

### Top Adjustment and Thin Type (H 1.15)

Part Number	Power Rating (W)	Number of Turns (Effective Rotation Angle)	Mechanical Angle	Total Resistance Value	TCR (ppm/°C)
PVZ3G221C01	0.1(50°C)	1(230±10°)	Continuous	220ohm ±30%	±500
PVZ3G471C01	0.1(50°C)	1(230±10°)	Continuous	470ohm ±30%	±500
PVZ3G102C01	0.1(50°C)	1(230±10°)	Continuous	1k ohm ±30%	±500
PVZ3G222C01	0.1(50°C)	1(230±10°)	Continuous	2.2k ohm ±30%	±500
PVZ3G472C01	0.1(50°C)	1(230±10°)	Continuous	4.7k ohm ±30%	±500
PVZ3G103C01	0.1(50°C)	1(230±10°)	Continuous	10k ohm ±30%	±500
PVZ3G223C01	0.1(50°C)	1(230±10°)	Continuous	22k ohm ±30%	±500
PVZ3G473C01	0.1(50°C)	1(230±10°)	Continuous	47k ohm ±30%	±500
PVZ3G104C01	0.1(50°C)	1(230±10°)	Continuous	100k ohm ±30%	±500
PVZ3G224C01	0.1(50°C)	1(230±10°)	Continuous	220k ohm ±30%	±500
PVZ3G474C01	0.1(50°C)	1(230±10°)	Continuous	470k ohm ±30%	±500
PVZ3G105C01	0.1(50°C)	1(230±10°)	Continuous	1M ohm ±30%	±500
PVZ3G225C01	0.1(50°C)	1(230±10°)	Continuous	2.2M ohm ±30%	±500

\*Available for other resistance value.

Operating Temperature Range: -25 to 85 °C Soldering Method: Reflow/Soldering Iron

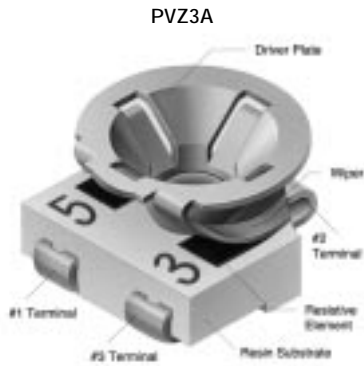
## Rear Adjustment

Part Number	Power Rating (W)	Number of Turns (Effective Rotation Angle)	Mechanical Angle	Total Resistance Value	TCR (ppm/°C)
PVZ3K221E01	0.1(50°C)	1(230±10°)	Continuous	220ohm ±30%	±500
PVZ3K471E01	0.1(50°C)	1(230±10°)	Continuous	470ohm ±30%	±500
PVZ3K102E01	0.1(50°C)	1(230±10°)	Continuous	1k ohm ±30%	±500
PVZ3K222E01	0.1(50°C)	1(230±10°)	Continuous	2.2k ohm ±30%	±500
PVZ3K472E01	0.1(50°C)	1(230±10°)	Continuous	4.7k ohm ±30%	±500
PVZ3K103E01	0.1(50°C)	1(230±10°)	Continuous	10k ohm ±30%	±500
PVZ3K223E01	0.1(50°C)	1(230±10°)	Continuous	22k ohm ±30%	±500
PVZ3K473E01	0.1(50°C)	1(230±10°)	Continuous	47k ohm ±30%	±500
PVZ3K104E01	0.1(50°C)	1(230±10°)	Continuous	100k ohm ±30%	±500
PVZ3K224E01	0.1(50°C)	1(230±10°)	Continuous	220k ohm ±30%	±500
PVZ3K474E01	0.1(50°C)	1(230±10°)	Continuous	470k ohm ±30%	±500
PVZ3K105E01	0.1(50°C)	1(230±10°)	Continuous	1M ohm ±30%	±500
PVZ3K225E01	0.1(50°C)	1(230±10°)	Continuous	2.2M ohm ±30%	±500

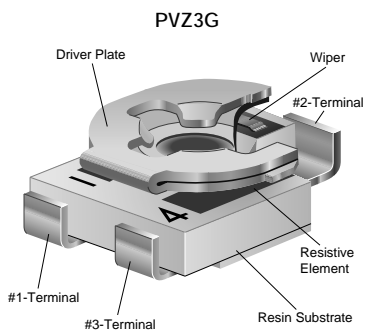
\*Available for other resistance value.

Operating Temperature Range: -25 to 85 °C Soldering Method: Reflow/Soldering Iron

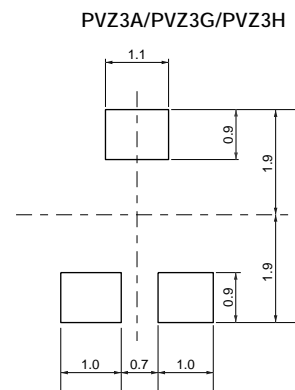
## Construction



## Construction

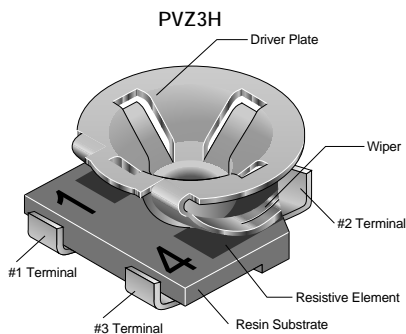


## Standard Land Pattern

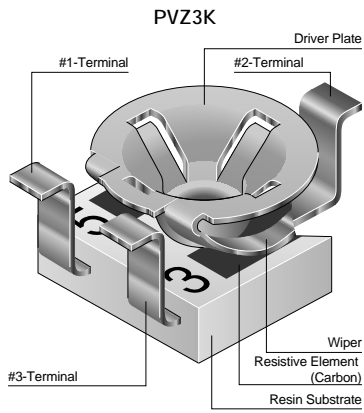


(Tolerance : ±0.1 in mm)

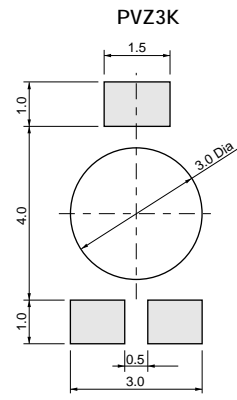
## Construction



## ■ Construction



## ■ Standard Land Pattern



(Tolerance : ±0.1 in mm)

2

## ■ Characteristics

Humidity Exposure	Res. Change: +10, -2%
High Temperature Exposure	Res. Change: $R \leq 100 \text{ kohm} \dots +2, -10\%$ $100 \text{ kohm} < R \dots +2, -15\%$
Humidity Load Life	Res. Change: ±10%
Load Life	Res. Change: $R \leq 100 \text{ kohm} \dots +2, -10\%$ $100 \text{ kohm} < R \dots +2, -15\%$
Temperature Cycle	Res. Change: ±5%
Rotational Life	Res. Change: ±10% (10 cycles)

## PVZ3 Series Notice

### ■ Notice (Operating and Storage Conditions)

1. Store in temperatures of -10 to +40 deg. C and relative humidity of 30-85%.
2. Do not store in or near corrosive gases.
3. Use within six months after delivery.
4. Open the package just before using.
5. Do not store under direct sunlight.
6. If you use the trimmer potentiometer in an environment other than listed below, please consult with a Murata factory representative prior to using.  
The trimmer potentiometer should not be used under the following environmental conditions:

- (1) Corrosive gaseous atmosphere  
(Ex. Chlorine gas, Hydrogen sulfide gas, Ammonia gas, Sulfuric acid gas, Nitric oxide gas, etc.)
- (2) In liquid  
(Ex. Oil, Medical liquid, Organic solvent, etc.)
- (3) Dusty/dirty atmosphere
- (4) Direct sunlight
- (5) Static voltage nor electric/magnetic fields
- (6) Direct sea breeze
- (7) Other variations of the above

### ■ Notice (Rating)

1. When using with partial load (rheostat), minimize the power depending on the resistance value.
2. The maximum input voltage to a trimmer potentiometer should not exceed  $(P \cdot R)^{1/2}$  or the maximum operating voltage, whichever is smaller.
3. If the trimmer potentiometer is used in DC and high humidity conditions, please connect wiper (#2) for plus and resistive element (#1 or #3) for minus.

### ■ Notice (Soldering and Mounting)

1. Soldering
  - (1) Soldering conditions  
Refer to the temperature profile.  
If the soldering conditions are not suitable, e.g., excessive time and/or excessive temperature, the trimmer potentiometer may deviate from the specified characteristics.  
Do not use flow soldering method (dipping).  
If you use the flow soldering method, the trimmer potentiometer may not function.
  - (2) Use our standard land dimension. Excessive land area causes displacement due to the effect of the surface tension of the solder. Insufficient land area leads to insufficient soldering strength of the chip.
  - (3) Apply the appropriate amount of solder paste.  
The thickness of solder paste should be printed from 100 micro m to 150 micro m and the dimension of land pattern used should be Murata's standard land pattern at reflow soldering. Insufficient amounts of solder can lead to insufficient soldering strength on PCB.  
Excessive amounts of solder may cause bridging between the terminals.
  - (4) The soldering iron should not come in contact with the case of the trimmer potentiometer. If such contact does occur, the trimmer potentiometer may be damaged. (PVZ Series only)
2. Mounting
  - (1) Do not apply excessive force, preferably 4.9N max. (Ref. 500gf) when the trimmer potentiometer is mounted to the PCB.
  - (2) Do not warp and/or bend PC board to prevent trimmer potentiometer from breakage.
  - (3) In chip placers, the recommended size of the cylindrical pick-up nozzle should be outer dimension 2.5-2.8mm dia. and inner dimension 2mm dia.
3. Cleaning
  - (1) In case there is flux on the resistive element, clean sufficiently with cleaning solvents and completely remove all residual flux.
  - (2) Isopropyl-alcohol and Ethyl-alcohol are applicable solvents for cleaning. If you use any other types of solvents, please evaluate performance with your product.



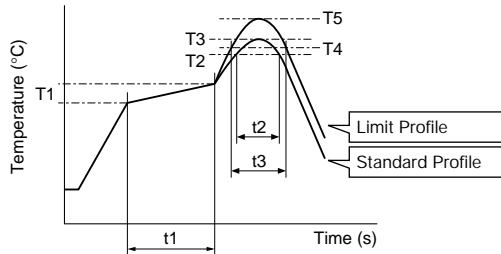
## PVZ3 Series Notice

2

### ■ Soldering Profile

#### ● Reflow Soldering Profile

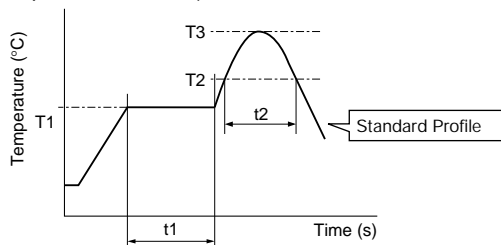
1. Soldering profile for Lead-free solder (96.5Sn/3.0Ag/0.5Cu)



Series	Standard Profile						Limit Profile					
	Pre-heating		Heating		Peak Temperature (T3)	Cycle of Reflow	Pre-heating		Heating		Peak Temperature (T5)	Cycle of Reflow
	Temp. (T1)	Time (t1)	Temp. (T2)	Time (t2)			Temp. (T1)	Time (t1)	Temp. (T4)	Time (t3)		
°C	sec.	°C	sec.	°C	Time	°C	sec.	°C	sec.	°C	Time	
<b>PVZ3</b>	150 to 180	60 to 120	220	30 to 60	245±3	2	150 to 180	60 to 120	220	30 to 60	260	2

2. Soldering profile for Eutectic solder (63Sn/37Pb)

(Limit profile: refer to 1)



Series	Standard Profile					
	Pre-heating		Heating		Peak Temperature (T3)	Cycle of Reflow
	Temp. (T1)	Time (t1)	Temp. (T2)	Time (t2)		
°C	sec.	°C	sec.	°C	Time	
<b>PVZ3</b>	150	60 to 120	183	30	230 max.	1

#### ● Soldering Iron

Series	Standard Condition			
	Temperature of Soldering Iron Tip	Soldering Time	Soldering Iron Power Output	Cycle of Solder Iron
	°C	sec.	W	Time
<b>PVZ3</b>	350±10	3 max.	30 max.	1

#### ■ Notice (Handling)

- Use suitable screwdrivers that fit comfortably in driver slot. We recommend the screwdrivers below.
  - \* Recommended screwdriver for manual adjustment  
>VESSEL MFG.: NO.9000+1.7x30  
(Murata P/N: KMDR080)
  - \* Recommended screwdriver for automatic adjustment  
>TORAY MFG.: JB-2225 (Murata P/N: KMBT070)
- Don't apply more than 4.9N (Ref.; 500gf) of twist and stress after mounting onto PCB to prevent contact intermittence. If excessive force is applied, the trimmer potentiometer may not function.
- Please use within the effective rotational angle. Do not have a mechanical stop for over rotation. In cases out of effective rotational angle, the trimmer potentiometer may not function.
- When using a lock paint to fix slot position or cover the rotor, please evaluate performance by your product. Lock paint may cause corrosion or electrical contact problems.

#### ■ Notice (Other)

- Please make sure that your product has been evaluated and confirmed against your specifications when our product is mounted to your product.
- Murata cannot guarantee trimmer potentiometer integrity when used under conditions other than those specified in this document.

# Trimmer Potentiometers



## SMD Sealed Type 3mm Size PVG3 Series

### ■ Features

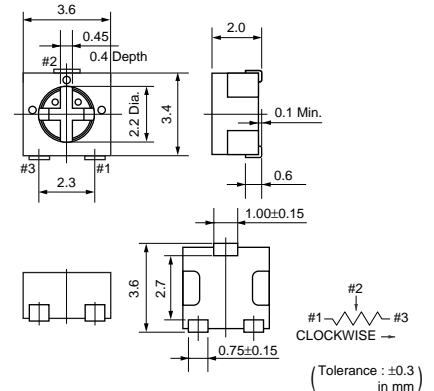
1. Sealed construction protects the interior from dust and liquid, which achieves stable performance.
2. Driver plate with cross-slot is suitable for automatic adjustment.
3. Rotor with large diameter and deep groove improves driver insertion.
4. 3mm and 4mm land pattern can be used without change. (Gull wing is suitable for 4mm size land pattern.)
5. Heat resistance performance enables high temperature peak re-flow soldering.
6. Complies with RoHS directive by new Cd free cermet resistive material. Pb free terminals with Sn plating.

### ■ Applications

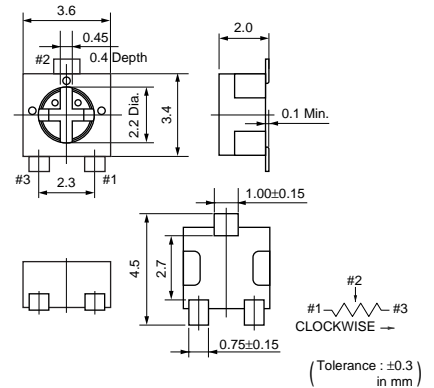
- |                         |                               |
|-------------------------|-------------------------------|
| 1. Small sensors        | 2. Optical Transceiver Module |
| 3. Copier               | 4. Printer                    |
| 5. Compact Power Supply | 6. Wireless Radio module      |
| 7. Corner Sensor        | 8. E-BOOK                     |



PVG3A



PVG3G



### Top Adjustment (Standard Type)

Part Number	Power Rating (W)	Number of Turns (Effective Rotation Angle)	Mechanical Angle	Total Resistance Value	TCR (ppm/°C)
PVG3A100C01	0.25(70°C)	1(210±10°)	250±10°	10ohm ±20%	±150
PVG3A200C01	0.25(70°C)	1(210±10°)	250±10°	20ohm ±20%	±150
PVG3A500C01	0.25(70°C)	1(210±10°)	250±10°	50ohm ±20%	±150
PVG3A101C01	0.25(70°C)	1(210±10°)	250±10°	100ohm ±20%	±150
PVG3A201C01	0.25(70°C)	1(210±10°)	250±10°	200ohm ±20%	±150
PVG3A501C01	0.25(70°C)	1(210±10°)	250±10°	500ohm ±20%	±150
PVG3A102C01	0.25(70°C)	1(210±10°)	250±10°	1k ohm ±20%	±150
PVG3A202C01	0.25(70°C)	1(210±10°)	250±10°	2k ohm ±20%	±150
PVG3A502C01	0.25(70°C)	1(210±10°)	250±10°	5k ohm ±20%	±150
PVG3A103C01	0.25(70°C)	1(210±10°)	250±10°	10k ohm ±20%	±150
PVG3A203C01	0.25(70°C)	1(210±10°)	250±10°	20k ohm ±20%	±150
PVG3A503C01	0.25(70°C)	1(210±10°)	250±10°	50k ohm ±20%	±150
PVG3A104C01	0.25(70°C)	1(210±10°)	250±10°	100k ohm ±20%	±150
PVG3A204C01	0.25(70°C)	1(210±10°)	250±10°	200k ohm ±20%	±150
PVG3A504C01	0.25(70°C)	1(210±10°)	250±10°	500k ohm ±20%	±150
PVG3A105C01	0.25(70°C)	1(210±10°)	250±10°	1M ohm ±20%	±150
PVG3A205C01	0.25(70°C)	1(210±10°)	250±10°	2M ohm ±20%	±150

Operating Temperature Range: -55 to 125 °C  
 Soldering Method: Reflow/Soldering Iron

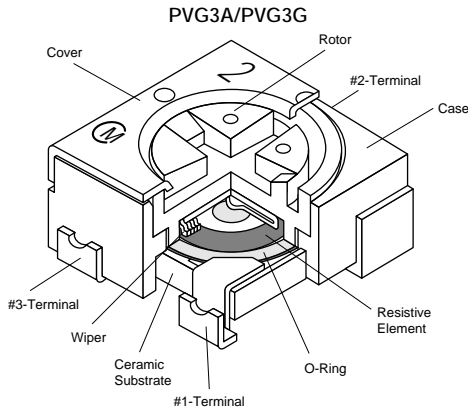
## Top Adjustment (Gull Wing Type)

Part Number	Power Rating (W)	Number of Turns (Effective Rotation Angle)	Mechanical Angle	Total Resistance Value	TCR (ppm/°C)
PVG3G100C01	0.25(70°C)	1(210±10°)	250±10°	10ohm ±20%	±150
PVG3G200C01	0.25(70°C)	1(210±10°)	250±10°	20ohm ±20%	±150
PVG3G500C01	0.25(70°C)	1(210±10°)	250±10°	50ohm ±20%	±150
PVG3G101C01	0.25(70°C)	1(210±10°)	250±10°	100ohm ±20%	±150
PVG3G201C01	0.25(70°C)	1(210±10°)	250±10°	200ohm ±20%	±150
PVG3G501C01	0.25(70°C)	1(210±10°)	250±10°	500ohm ±20%	±150
PVG3G102C01	0.25(70°C)	1(210±10°)	250±10°	1k ohm ±20%	±150
PVG3G202C01	0.25(70°C)	1(210±10°)	250±10°	2k ohm ±20%	±150
PVG3G502C01	0.25(70°C)	1(210±10°)	250±10°	5k ohm ±20%	±150
PVG3G103C01	0.25(70°C)	1(210±10°)	250±10°	10k ohm ±20%	±150
PVG3G203C01	0.25(70°C)	1(210±10°)	250±10°	20k ohm ±20%	±150
PVG3G503C01	0.25(70°C)	1(210±10°)	250±10°	50k ohm ±20%	±150
PVG3G104C01	0.25(70°C)	1(210±10°)	250±10°	100k ohm ±20%	±150
PVG3G204C01	0.25(70°C)	1(210±10°)	250±10°	200k ohm ±20%	±150
PVG3G504C01	0.25(70°C)	1(210±10°)	250±10°	500k ohm ±20%	±150
PVG3G105C01	0.25(70°C)	1(210±10°)	250±10°	1M ohm ±20%	±150
PVG3G205C01	0.25(70°C)	1(210±10°)	250±10°	2M ohm ±20%	±150

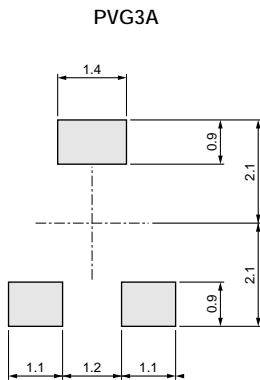
Operating Temperature Range: -55 to 125 °C  
 Soldering Method: Reflow/Soldering Iron

3

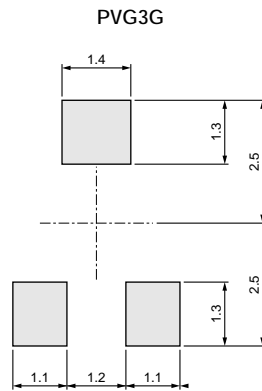
## Construction



## Standard Land Pattern




(Tolerance : ±0.1 in mm)



(Tolerance : ±0.1 in mm)

Continued on the following page. ↗

 Continued from the preceding page.

### ■ Characteristics

Temperature Cycle	ΔTR : ±2% ΔV.S.S.: ±1%
Humidity	ΔTR : ±2% ΔV.S.S.: ±1% IR : 10M ohm min.
Vibration (20G)	ΔTR : ±1% ΔV.S.S.: ±1%
Shock (100G)	ΔTR : ±1% ΔV.S.S.: ±1%
Temperature Load Life	ΔTR : ±3% or 3 ohm max., whichever is greater ΔV.S.S.: ±1%
Low Temperature Exposure	ΔTR : ±2% ΔV.S.S.: ±2%
High Temperature Exposure	ΔTR : ±3% ΔV.S.S.: ±2%
Rotational Life	ΔTR : R≤100 kohm ... ±3% or 2 ohm max., whichever is greater R>100 kohm ... +0/-10% (50 cycles)

ΔTR : Total Resistance Change  
 ΔV.S.S.: Voltage Setting Stability  
 IR : Insulation Resistance  
 R : Standard Total Resistance

## PVG3 Series Notice

### ■ Notice (Operating and Storage Conditions)

1. Store in temperatures of -10 to +40 deg. C and relative humidity of 30-85%.
2. Do not store in or near corrosive gases.
3. Use within six months after delivery.
4. Open the package just before using.
5. Do not store under direct sunlight.
6. If you use the trimmer potentiometer in an environment other than listed below, please consult with a Murata factory representative prior to using.  
The trimmer potentiometer should not be used under the following environmental conditions:

- (1) Corrosive gaseous atmosphere  
(Ex. Chlorine gas, Hydrogen sulfide gas, Ammonia gas, Sulfuric acid gas, Nitric oxide gas, etc.)
- (2) In liquid  
(Ex. Oil, Medical liquid, Organic solvent, etc.)
- (3) Dusty/dirty atmosphere
- (4) Direct sunlight
- (5) Static voltage nor electric/magnetic fields
- (6) Direct sea breeze
- (7) Other variations of the above

### ■ Notice (Rating)

1. When using with partial load (rheostat), minimize the power depending on the resistance value.
2. The maximum input voltage to a trimmer potentiometer should not exceed  $(P \cdot R)^{1/2}$  or the maximum operating voltage, whichever is smaller.

### ■ Notice (Soldering and Mounting)

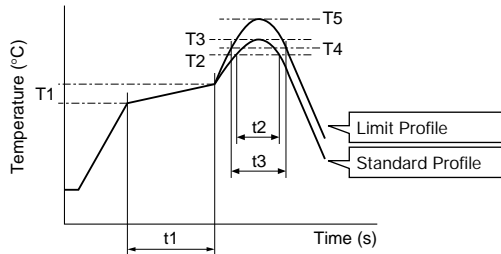
1. Soldering
  - (1) Soldering conditions  
Refer to the temperature profile.  
If the soldering conditions are not suitable, e.g., excessive time and/or excessive temperature, the trimmer potentiometer may deviate from the specified characteristics.
  - (2) Cannot be soldered using the flow soldering method. If you use the flow soldering method, the trimmer potentiometer may not function.
  - (3) The soldering iron should not come in contact with the case of the trimmer potentiometer. If such contact does occur, the trimmer potentiometer may be damaged.
  - (4) Apply the appropriate amount of solder paste.  
If the amount of solder paste applied to the land is insufficient, the required adhesive strength cannot be obtained. If an excessive amount of solder paste is applied, solder bridging or flux overflow to the resistive element surface can occur.
2. Mounting
  - (1) Use our standard land dimension. Excessive land area causes displacement due to the effect of the surface tension of the solder. Insufficient land area leads to insufficient soldering strength of the chip.
  - (2) Do not apply excessive force, preferably 4.9N max. (Ref. 500gf) when the trimmer potentiometer is mounted to the PCB.
  - (3) Do not warp and/or bend PC board to prevent trimmer potentiometer from breakage.
  - (4) In chip placers, the size of the cylindrical pick-up nozzle should be outer dimension 2.5-3.0mm dia. and inner dimension 2.0-2.5mm dia.
3. Cleaning  
Isopropyl-alcohol and Ethyl-alcohol are applicable solvents for cleaning. If you use any other types of solvents, please consult with a Murata factory representative prior to using.

## PVG3 Series Notice

### ■ Soldering Profile

#### ● Reflow Soldering Profile

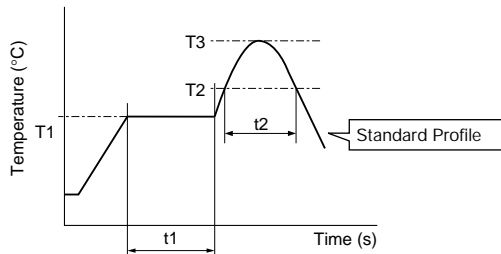
1. Soldering profile for Lead-free solder (96.5Sn/3.0Ag/0.5Cu)



Series	Standard Profile						Limit Profile					
	Pre-heating		Heating		Peak Temperature (T3)	Cycle of Reflow	Pre-heating		Heating		Peak Temperature (T5)	Cycle of Reflow
	Temp. (T1)	Time (t1)	Temp. (T2)	Time (t2)			Temp. (T1)	Time (t1)	Temp. (T4)	Time (t3)		
°C	sec.	°C	sec.	°C	Time	°C	sec.	°C	sec.	°C	Time	
<b>PVG3</b>	150 to 180	60 to 120	220	30 to 60	245±3	1	150 to 180	60 to 120	230	30 to 50	260 +5/-0	2

2. Soldering profile for Eutectic solder (63Sn/37Pb)

(Limit profile: refer to 1)



Series	Standard Profile					
	Pre-heating		Heating		Peak Temperature (T3)	Cycle of Reflow
	Temp. (T1)	Time (t1)	Temp. (T2)	Time (t2)		
°C	sec.	°C	sec.	°C	Time	
<b>PVG3</b>	150	60 to 120	183	30	230	1

### ● Soldering Iron

Series	Standard Condition			
	Temperature of Soldering Iron Tip	Soldering Time	Soldering Iron Power Output	Cycle of Soldering Iron
	°C	sec.	W	Time
<b>PVG3</b>	350±10	3 max.	30 max.	1

### ■ Notice (Handling)

1. Use suitable screwdrivers that fit comfortably in driver slot.

\* Recommended screwdriver for manual adjustment  
 TORAY INDUSTRIES, INC.: SA-2225  
 (Murata P/N: KMDR070)

\* Recommended screwdriver bit for automatic adjustment  
 TORAY INDUSTRIES, INC.: JB-2225  
 (Murata P/N: KMBT070)

We can supply the screwdrivers above.

If you place order, please specify the Murata P/N.

2. Do not apply more than 9.8N (Ref. 1kgf) of twist and stress after mounting onto PCB to prevent contact intermittence.

3. When adjusting with an adjustment tool, the applied force to the adjustment screw should not exceed 4.9N (Ref. 500gf). If excessive force is applied, the trimmer potentiometer may not function due to damage.

4. The rotational torque at the position of the adjustment range should not exceed the stop strength.

5. When using a lock paint to fix slot position, please use adhesive resin without chlorine or sulfur (Three-bond "1401 series") and evaluate performance with your product. Lock paint may cause corrosion or electrical contact problems.

### ■ Notice (Other)

1. Please make sure that your product has been evaluated and confirmed against your specifications when our product is mounted to your product.

2. Murata cannot guarantee trimmer potentiometer integrity when used under conditions other than those specified in this document.

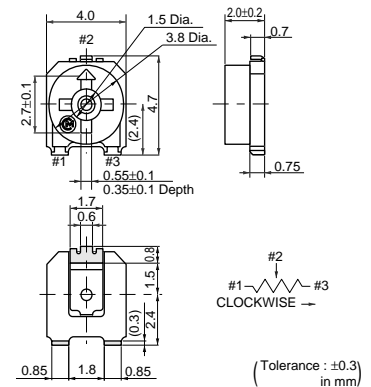
# Trimmer Potentiometers



## SMD Sealed Type 4mm Size PVM4 Series

### ■ Features

1. Sealed construction protects the interior from dust and liquid, which achieves stable performance.
2. Available for flow and reflow soldering method while maintaining unique sealed construction.
3. Simple construction by 3-piece parts achieves high reliability.
4. Large diameter slot of rotor improves driver insertion.
5. Available for cleaning after soldering
6. High grade version is available (PVM4AxxxD01).
7. To be complied with RoHS directive by new Cd free cermet resistive material. Pb free terminals with Sn plating.



### ■ Applications

1. Security
2. OA, FA equipments
3. Measuring equipments
4. Professional cameras
5. Encoders
6. Sensors
7. RKE

### Top Adjustment (Standard Type)

Part Number	Power Rating (W)	Number of Turns (Effective Rotation Angle)	Mechanical Angle	Total Resistance Value	TCR (ppm/°C)
PVM4A101C01	0.1(70°C)	1(240±10°)	Continuous	100ohm ±25%	±250
PVM4A201C01	0.1(70°C)	1(240±10°)	Continuous	200ohm ±25%	±250
PVM4A501C01	0.1(70°C)	1(240±10°)	Continuous	500ohm ±25%	±250
PVM4A102C01	0.1(70°C)	1(240±10°)	Continuous	1k ohm ±25%	±250
PVM4A202C01	0.1(70°C)	1(240±10°)	Continuous	2k ohm ±25%	±250
PVM4A502C01	0.1(70°C)	1(240±10°)	Continuous	5k ohm ±25%	±250
PVM4A103C01	0.1(70°C)	1(240±10°)	Continuous	10k ohm ±25%	±250
PVM4A203C01	0.1(70°C)	1(240±10°)	Continuous	20k ohm ±25%	±250
PVM4A503C01	0.1(70°C)	1(240±10°)	Continuous	50k ohm ±25%	±250
PVM4A104C01	0.1(70°C)	1(240±10°)	Continuous	100k ohm ±25%	±250
PVM4A204C01	0.1(70°C)	1(240±10°)	Continuous	200k ohm ±25%	±250
PVM4A504C01	0.1(70°C)	1(240±10°)	Continuous	500k ohm ±25%	±250
PVM4A105C01	0.1(70°C)	1(240±10°)	Continuous	1M ohm ±25%	±250
PVM4A205C01	0.1(70°C)	1(240±10°)	Continuous	2M ohm ±25%	±250

Operating Temperature Range: -55 to 125 °C  
 Soldering Method: Flow/Reflow/Soldering Iron

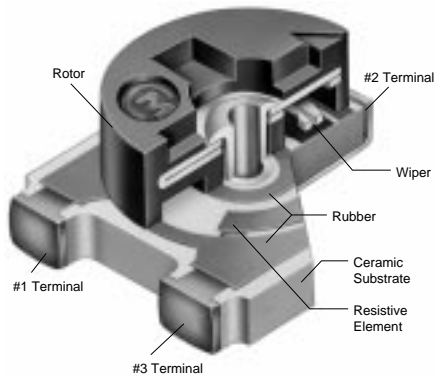
## Top Adjustment (High-Liability Type)

Part Number	Power Rating (W)	Number of Turns (Effective Rotation Angle)	Mechanical Angle	Total Resistance Value	TCR (ppm/°C)
PVM4A101D01	0.25(70°C)	1(240±10°)	Continuous	100ohm ±20%	±100
PVM4A201D01	0.25(70°C)	1(240±10°)	Continuous	200ohm ±20%	±100
PVM4A501D01	0.25(70°C)	1(240±10°)	Continuous	500ohm ±20%	±100
PVM4A102D01	0.25(70°C)	1(240±10°)	Continuous	1k ohm ±20%	±200
PVM4A202D01	0.25(70°C)	1(240±10°)	Continuous	2k ohm ±20%	±200
PVM4A502D01	0.25(70°C)	1(240±10°)	Continuous	5k ohm ±20%	±200
PVM4A103D01	0.25(70°C)	1(240±10°)	Continuous	10k ohm ±20%	±150
PVM4A203D01	0.25(70°C)	1(240±10°)	Continuous	20k ohm ±20%	±150
PVM4A503D01	0.25(70°C)	1(240±10°)	Continuous	50k ohm ±20%	±150
PVM4A104D01	0.25(70°C)	1(240±10°)	Continuous	100k ohm ±20%	±150
PVM4A204D01	0.25(70°C)	1(240±10°)	Continuous	200k ohm ±20%	±150
PVM4A504D01	0.25(70°C)	1(240±10°)	Continuous	500k ohm ±20%	±150
PVM4A105D01	0.25(70°C)	1(240±10°)	Continuous	1M ohm ±20%	±150
PVM4A205D01	0.25(70°C)	1(240±10°)	Continuous	2M ohm ±20%	±150

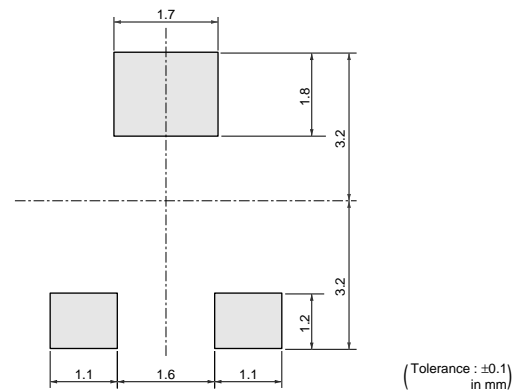
Operating Temperature Range: -55 to 125 °C  
 Soldering Method: Flow/Reflow/Soldering Iron

4

### Construction



### Standard Land Pattern



### Characteristics

Item	PVM4A□□□C01	PVM4A□□□D01
Humidity Exposure	Res. Change: ±3%	Res. Change: ±2%
High Temperature Exposure	Res. Change: ±3%	Res. Change: ±2%
Humidity Load Life	Res. Change: ±3%	Res. Change: ±3%
Temperature Load Life	Res. Change: ±3%	Res. Change: ±3%
Temperature Cycle	Res. Change: ±3%	Res. Change: ±2%
Rotational Life	Res. Change: ±10% (20 cycles)	Res. Change: ±5% (100 cycles)



## PVM4 Series Notice

### ■ Notice (Operating and Storage Conditions)

1. Store in temperatures of -10 to +40 deg. C and relative humidity of 30-85%.
2. Do not store in or near corrosive gases.
3. Use within six months after delivery.
4. Open the package just before using.
5. Do not store under direct sunlight.
6. If you use the trimmer potentiometer in an environment other than listed below, please consult with a Murata factory representative prior to using.  
The trimmer potentiometer should not be used under the following environmental conditions:

- (1) Corrosive gaseous atmosphere  
(Ex. Chlorine gas, Hydrogen sulfide gas, Ammonia gas, Sulfuric acid gas, Nitric oxide gas, etc.)
- (2) In liquid  
(Ex. Oil, Medical liquid, Organic solvent, etc.)
- (3) Dusty/dirty atmosphere
- (4) Direct sunlight
- (5) Static voltage nor electric/magnetic fields
- (6) Direct sea breeze
- (7) Other variations of the above

### ■ Notice (Rating)

1. When using with partial load (rheostat), minimize the power depending on the resistance value.
2. The maximum input voltage to a trimmer potentiometer should not exceed  $(P \cdot R)^{1/2}$  or the maximum operating voltage, whichever is smaller.

### ■ Notice (Soldering and Mounting)

1. Soldering
  - (1) Can be soldered by reflow soldering method, flow soldering method, and soldering iron.
  - (2) Use our standard land dimension. Excessive land area causes displacement due to the effect of the surface tension of the solder. Insufficient land area leads to insufficient soldering strength of the chip.
  - (3) Soldering condition  
Refer to the temperature profile.  
If the soldering conditions are not suitable, e.g., excessive time and/or excessive temperature, the trimmer potentiometer may deviate from the specified characteristics.
  - (4) Apply the appropriate amount of solder paste.  
The thickness of solder paste should be printed from 100 micro m to 150 micro m and the dimension of land pattern used should be Murata's standard land pattern at reflow soldering.  
Insufficient amounts of solder can lead to insufficient soldering strength on PCB.  
Excessive amounts of solder may cause bridging between the terminals.

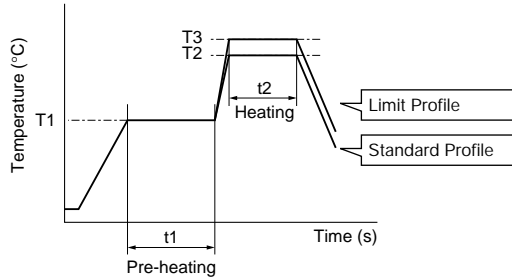
- (5) The soldering iron should not come in contact with the case of the trimmer potentiometer. If such contact does occur, the trimmer potentiometer may be damaged.
2. Mounting
  - (1) Do not apply excessive force, preferably 9.8N max. (Ref. 1kgf) when the trimmer potentiometer is mounted to the PCB.
  - (2) Do not warp and/or bend PC board to prevent trimmer potentiometer from breakage.
  - (3) In chip placers, the recommended size of the cylindrical pick-up nozzle should be outer dimension 4.0mm dia. and inner dimension 2.0mm dia.
3. Cleaning  
Isopropyl alcohol and Ethyl alcohol are available materials for cleaning.  
For other materials, please consult with a Murata factory representative prior to using.

## PVM4 Series Notice

### ■ Soldering Profile

#### ● Flow Soldering Profile

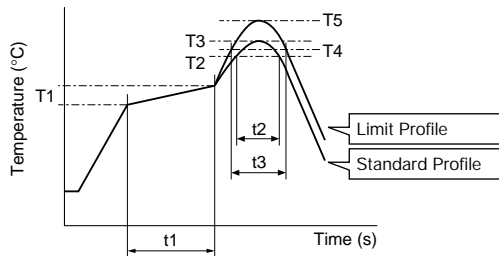
Soldering profile for Lead-free solder (96.5Sn/3.0Ag/0.5Cu), Eutectic solder (63Sn/37Pb)



Series	Standard Profile					Limit Profile				
	Pre-heating		Heating		Cycle of Flow	Pre-heating		Heating		Cycle of Flow
	Temp. (T1)	Time (t1)	Temp. (T2)	Time (t2)		Temp. (T1)	Time (t1)	Temp. (T3)	Time (t2)	
	°C	sec.	°C	sec.	Time	°C	sec.	°C	sec.	Time
<b>PVM4</b>	150	60 to 120	250	5 max.	1	150	60 to 120	265±3	5 max.	2

#### ● Reflow Soldering Profile

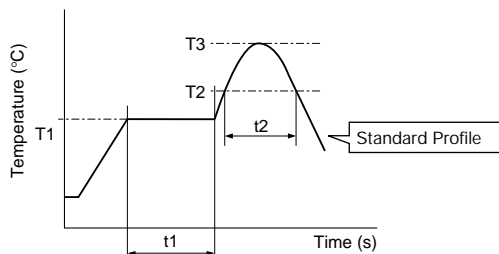
1. Soldering profile for Lead-free solder (96.5Sn/3.0Ag/0.5Cu)



Series	Standard Profile						Limit Profile					
	Pre-heating		Heating		Peak Temperature (T3)	Cycle of Reflow	Pre-heating		Heating		Peak Temperature (T5)	Cycle of Reflow
	Temp. (T1)	Time (t1)	Temp. (T2)	Time (t2)			Temp. (T1)	Time (t1)	Temp. (T4)	Time (t3)		
	°C	sec.	°C	sec.	°C	Time	°C	sec.	°C	sec.	°C	Time
<b>PVM4</b>	150 to 180	60 to 120	220	30 to 60	245±3	2	150 to 180	60 to 120	230	30 to 50	260 +5/-0	2

2. Soldering profile for Eutectic solder (63Sn/37Pb)

(Limit profile: refer to 1)



Series	Standard Profile					
	Pre-heating		Heating		Peak Temperature (T3)	Cycle of Reflow
	Temp. (T1)	Time (t1)	Temp. (T2)	Time (t2)		
	°C	sec.	°C	sec.	°C	Time
<b>PVM4</b>	150	60 to 120	183	30	230	1

#### ● Soldering Iron

Series	Standard Condition			
	Temperature of Soldering Iron Tip	Soldering Time	Soldering Iron Power Output	Cycle of Soldering Iron
	°C	sec.	W	Time
<b>PVM4</b>	350±10	3 max.	30 max.	1

## PVM4 Series Notice

### ■ Notice (Handling)

1. Use suitable screwdrivers that fit comfortably in driver slot. We recommend the screwdriver below.  
\* Recommended screwdriver for manual adjustment  
VESSEL MFG.: NO. 9000-2.6x30  
(Murata P/N: KMDR120)  
We can supply the screwdrivers above.  
If you place order, please specify the Murata P/N.
2. Do not apply more than 4.9N (Ref. 500gf) of twist and stress after mounting onto PCB to prevent contact intermittence. If excessive force is applied, the trimmer potentiometer may not function.

3. Please use within the effective rotational angle.  
The potentiometer does not have a mechanical stop for over rotation. In cases out of effective rotational angle, the trimmer potentiometer may not function.
4. When using a lock paint to fix slot position, please use adhesive resin without chlorine or sulfur (Three-bond "1401 series") and evaluate performance with your product. Lock paint may cause corrosion or electrical contact problems.

### ■ Notice (Other)

1. Please make sure that your product has been evaluated and confirmed against your specifications when our product is mounted to your product.
2. Murata cannot guarantee trimmer potentiometer integrity when used under conditions other than those specified in this document.

# Trimmer Potentiometers



## SMD Sealed Type Multi-turn PVG5 Series

### ■ Features

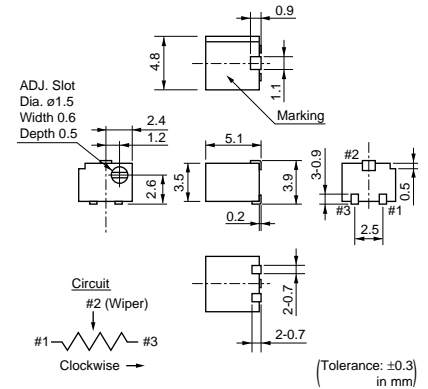
1. Sealed construction protects the interior from dust and liquid, which achieves stable performance.
2. Available with reflow soldering method
3. Available for ultrasonic cleaning after soldering
4. Clutch mechanism prevents excessive wiper rotation.
5. Both Top and side adjustment directions
6. Ultra smaller volume (1/5-1/2) than leaded multi-turn potentiometer.
7. Complies with RoHS directive by new Cd free cermet resistive material. Pb free terminals with Sn plating.

### ■ Applications

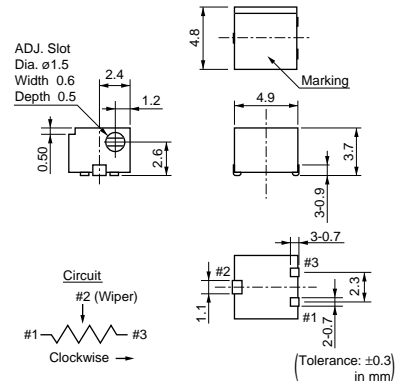
1. Measuring instruments
2. OA equipment
3. Medical equipment
4. Power supply
5. Sensors
6. Base station for cellular phone



PVG5A



PVG5H



5

### Top Adjustment

Part Number	Power Rating (W)	Number of Turns (Effective Rotation Angle)	Total Resistance Value	TCR (ppm/°C)
PVG5A100C03	0.25(70°C)	11	10ohm ±10%	±150
PVG5A200C03	0.25(70°C)	11	20ohm ±10%	±150
PVG5A500C03	0.25(70°C)	11	50ohm ±10%	±150
PVG5A101C03	0.25(70°C)	11	100ohm ±10%	±150
PVG5A201C03	0.25(70°C)	11	200ohm ±10%	±150
PVG5A501C03	0.25(70°C)	11	500ohm ±10%	±150
PVG5A102C03	0.25(70°C)	11	1k ohm ±10%	±150
PVG5A202C03	0.25(70°C)	11	2k ohm ±10%	±150
PVG5A502C03	0.25(70°C)	11	5k ohm ±10%	±150
PVG5A103C03	0.25(70°C)	11	10k ohm ±10%	±150
PVG5A203C03	0.25(70°C)	11	20k ohm ±10%	±150
PVG5A503C03	0.25(70°C)	11	50k ohm ±10%	±150
PVG5A104C03	0.25(70°C)	11	100k ohm ±10%	±150
PVG5A204C03	0.25(70°C)	11	200k ohm ±10%	±150
PVG5A504C03	0.25(70°C)	11	500k ohm ±10%	±150
PVG5A105C03	0.25(70°C)	11	1M ohm ±10%	±150
PVG5A205C03	0.25(70°C)	11	2M ohm ±10%	±150

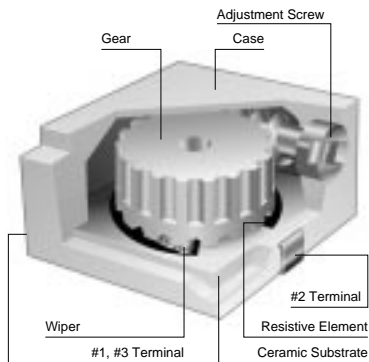
Operating Temperature Range: -55 to 125 °C  
 Soldering Method: Reflow/Soldering Iron

## Side Adjustment

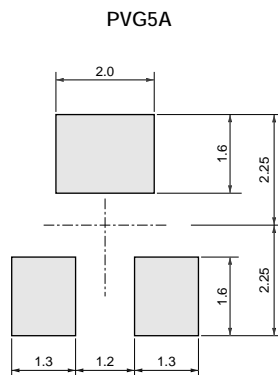
Part Number	Power Rating (W)	Number of Turns (Effective Rotation Angle)	Total Resistance Value	TCR (ppm/°C)
PVG5H100C03	0.25(70°C)	11	10ohm ±10%	±150
PVG5H200C03	0.25(70°C)	11	20ohm ±10%	±150
PVG5H500C03	0.25(70°C)	11	50ohm ±10%	±150
PVG5H101C03	0.25(70°C)	11	100ohm ±10%	±150
PVG5H201C03	0.25(70°C)	11	200ohm ±10%	±150
PVG5H501C03	0.25(70°C)	11	500ohm ±10%	±150
PVG5H102C03	0.25(70°C)	11	1k ohm ±10%	±150
PVG5H202C03	0.25(70°C)	11	2k ohm ±10%	±150
PVG5H502C03	0.25(70°C)	11	5k ohm ±10%	±150
PVG5H103C03	0.25(70°C)	11	10k ohm ±10%	±150
PVG5H203C03	0.25(70°C)	11	20k ohm ±10%	±150
PVG5H503C03	0.25(70°C)	11	50k ohm ±10%	±150
PVG5H104C03	0.25(70°C)	11	100k ohm ±10%	±150
PVG5H204C03	0.25(70°C)	11	200k ohm ±10%	±150
PVG5H504C03	0.25(70°C)	11	500k ohm ±10%	±150
PVG5H105C03	0.25(70°C)	11	1M ohm ±10%	±150
PVG5H205C03	0.25(70°C)	11	2M ohm ±10%	±150

Operating Temperature Range: -55 to 125 °C  
 Soldering Method: Reflow/Soldering Iron

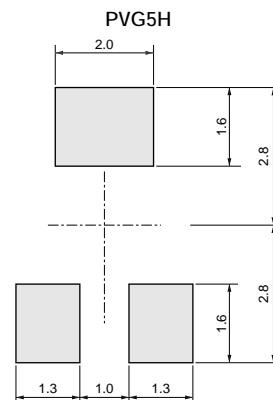
## Construction



## Standard Land Pattern




(Tolerance: ±0.1 in mm)



(Tolerance: ±0.1 in mm)

Continued on the following page. ↗

 Continued from the preceding page.

## ■ Characteristics

Temperature Cycle	$\Delta TR$ : $\pm 2\%$ $\Delta V.S.S.$ : $\pm 1\%$
Humidity	$\Delta TR$ : $\pm 2\%$ IR : 10M ohm min.
Vibration (20G)	$\Delta TR$ : $\pm 1\%$ $\Delta V.S.S.$ : $\pm 1\%$
Shock (100G)	$\Delta TR$ : $\pm 1\%$ $\Delta V.S.S.$ : $\pm 1\%$
Temperature Load Life	$\Delta TR$ : $\pm 3\%$ or 3 ohm max., whichever is greater $\Delta V.S.S.$ : $\pm 1\%$
Low Temperature Exposure	$\Delta TR$ : $\pm 1\%$ $\Delta V.S.S.$ : $\pm 1\%$
High Temperature Exposure	$\Delta TR$ : $\pm 2\%$ $\Delta V.S.S.$ : $\pm 1\%$
Rotational Life	$\Delta TR$ : $\pm 3\%$ or 3 ohm max., whichever is greater (100 cycles)

$\Delta TR$  : Total Resistance Change

$\Delta V.S.S.$ : Voltage Setting Stability

IR : Insulation Resistance

## PVG5 Series Notice

### ■ Notice (Operating and Storage Conditions)

1. Store in temperatures of -10 to +40 deg. C and relative humidity of 30-85%.
2. Do not store in or near corrosive gases.
3. Use within six months after delivery.
4. Open the package just before using.
5. Do not store under direct sunlight.
6. If you use the trimmer potentiometer in an environment other than listed below, please consult with a Murata factory representative prior to using.  
The trimmer potentiometer should not be used under the following environmental conditions:

- (1) Corrosive gaseous atmosphere  
(Ex. Chlorine gas, Hydrogen sulfide gas, Ammonia gas, Sulfuric acid gas, Nitric oxide gas, etc.)
- (2) In liquid  
(Ex. Oil, Medical liquid, Organic solvent, etc.)
- (3) Dusty/dirty atmosphere
- (4) Direct sunlight
- (5) Static voltage nor electric/magnetic fields
- (6) Direct sea breeze
- (7) Other variations of the above

### ■ Notice (Rating)

1. When using with partial load (rheostat), minimize the power depending on the resistance value.
2. The maximum input voltage to a trimmer potentiometer should not exceed  $(P \cdot R)^{1/2}$  or the maximum operating voltage, whichever is smaller.

### ■ Notice (Soldering and Mounting)

1. Soldering
  - (1) Soldering condition  
Refer to the temperature profile.  
If the soldering conditions are not suitable, e.g., excessive time and/or excessive temperature, the trimmer capacitor may deviate from the specified characteristics.
  - (2) Cannot be soldered using the flow soldering method. If you use the flow soldering method, the trimmer potentiometer may not function.
  - (3) The soldering iron should not come in contact with the case of the trimmer potentiometer. If such contact does occur, the trimmer potentiometer may be damaged.
  - (4) Insufficient amounts of solder can lead to insufficient soldering strength on PCB.  
Excessive amounts of solder may cause bridging between the terminals.

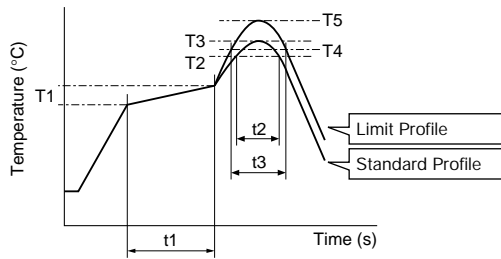
2. Mounting
  - (1) Use our standard land dimension. Excessive land area causes displacement due to the effect of the surface tension of the solder. Insufficient land area leads to insufficient soldering strength of the chip.
  - (2) Do not apply excessive force, preferably 9.8N max. (Ref. 1kgf) when the trimmer potentiometer is mounted to the PCB.
  - (3) Do not warp and/or bend PC board to prevent trimmer potentiometer from breakage.
  - (4) In chip placers, the recommended size of the cylindrical pick-up nozzle should be outer dimension 4.0mm dia. and inner dimension 2.0mm dia.
3. Cleaning  
Isopropyl-alcohol and Ethyl-alcohol are applicable solvents for cleaning. If you use any other types of solvents, please consult with a Murata factory representative prior to using.

## PVG5 Series Notice

### ■ Soldering Profile

#### ● Reflow Soldering Profile

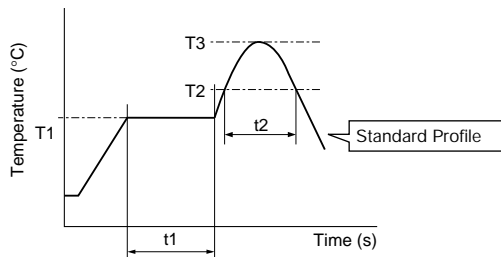
1. Soldering profile for Lead-free solder (96.5Sn/3.0Ag/0.5Cu)



Series	Standard Profile						Limit Profile					
	Pre-heating		Heating		Peak Temperature (T3)	Cycle of Reflow	Pre-heating		Heating		Peak Temperature (T5)	Cycle of Reflow
	Temp. (T1)	Time (t1)	Temp. (T2)	Time (t2)			Temp. (T1)	Time (t1)	Temp. (T4)	Time (t3)		
°C	sec.	°C	sec.	°C	Time	°C	sec.	°C	sec.	°C	Time	
<b>PVG5</b>	150 to 180	60 to 120	220	30 to 60	245±3	2	150 to 180	60 to 120	230	30 to 50	260 +5/-0	2

2. Soldering profile for Eutectic solder (63Sn/37Pb)

(Limit profile: refer to 1)



Series	Standard Profile					
	Pre-heating		Heating		Peak Temperature (T3)	Cycle of Reflow
	Temp. (T1)	Time (t1)	Temp. (T2)	Time (t2)		
°C	sec.	°C	sec.	°C	Time	
<b>PVG5</b>	150	60 to 120	183	30	230	1

### ● Soldering Iron

Series	Standard Condition			
	Temperature of Soldering Iron Tip	Soldering Time	Soldering Iron Power Output	Cycle of Soldering Iron
	°C	sec.	W	Time
<b>PVG5</b>	350±10	3 max.	30 max.	1

### ■ Notice (Handling)

- Use suitable screwdrivers that fit comfortably in driver slot. We recommend the screwdrivers below.  
 \* Recommended screwdrivers for manual adjustment <PVG5 series>  
 VESSEL MFG.: NO.9000-1.3x30  
 (Murata P/N: KMDR130)  
 We can supply the screwdrivers above.  
 If you place order, please specify Murata P/N.
- Do not apply more than 9.8N (Ref. 1kgf) of twist and stress after mounting onto PCB to prevent contact intermittence. If excessive force is applied, the trimmer potentiometer may not function.

- When adjusting with a screwdriver, do not apply excessive force, preferable 4.9N max. (Ref 500gf).
- When using a lock paint to fix slot position, please use adhesive resin without chlorine or sulfur (Three-bond "1401 series") and evaluate performance with your product. Lock paint may cause corrosion or electrical problems.

### ■ Notice (Other)

- Please make sure that your product has been evaluated and confirmed against your specifications when our product is mounted to your product.
- Murata cannot guarantee trimmer potentiometer integrity when used under conditions other than those specified in this document.



# Trimmer Potentiometers



## Lead Sealed Type Single-turn PV32 Series

### ■ Features

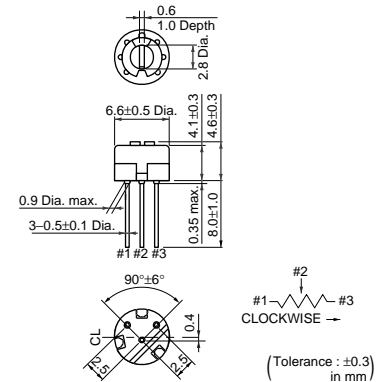
1. Round shaped body enables smaller area mount than same 6mm square potentiometer.
2. Sealed construction protects the interior from dust and liquid, which achieves stable performance.
3. Available for ultrasonic cleaning after soldering
4. Flammability: UL94V-0
5. PV32 series comply with RoHS directive.

### ■ Applications

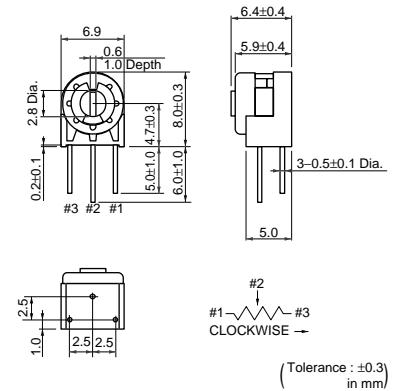
1. HDTVs
2. Professional cameras
3. CATV
4. FAX
5. Printers
6. Sensors
7. Power supply



PV32H



PV32N



### Top Adjustment

Part Number	Power Rating (W)	Number of Turns (Effective Rotation Angle)	Mechanical Angle	Total Resistance Value	TCR (ppm/°C)
PV32H100A01	0.5(70°C)	1(230±5°)	270±5°	10ohm ±20%	±100
PV32H200A01	0.5(70°C)	1(230±5°)	270±5°	20ohm ±20%	±100
PV32H500A01	0.5(70°C)	1(230±5°)	270±5°	50ohm ±20%	±100
PV32H101A01	0.5(70°C)	1(230±5°)	270±5°	100ohm ±20%	±100
PV32H201A01	0.5(70°C)	1(230±5°)	270±5°	200ohm ±20%	±100
PV32H501A01	0.5(70°C)	1(230±5°)	270±5°	500ohm ±20%	±100
PV32H102A01	0.5(70°C)	1(230±5°)	270±5°	1k ohm ±20%	±100
PV32H202A01	0.5(70°C)	1(230±5°)	270±5°	2k ohm ±20%	±100
PV32H502A01	0.5(70°C)	1(230±5°)	270±5°	5k ohm ±20%	±100
PV32H103A01	0.5(70°C)	1(230±5°)	270±5°	10k ohm ±20%	±100
PV32H203A01	0.5(70°C)	1(230±5°)	270±5°	20k ohm ±20%	±100
PV32H503A01	0.5(70°C)	1(230±5°)	270±5°	50k ohm ±20%	±100
PV32H104A01	0.5(70°C)	1(230±5°)	270±5°	100k ohm ±20%	±100
PV32H204A01	0.5(70°C)	1(230±5°)	270±5°	200k ohm ±20%	±100
PV32H504A01	0.5(70°C)	1(230±5°)	270±5°	500k ohm ±20%	±100
PV32H105A01	0.5(70°C)	1(230±5°)	270±5°	1M ohm ±20%	±100
PV32H205A01	0.5(70°C)	1(230±5°)	270±5°	2M ohm ±20%	±100
PV32H505A01	0.5(70°C)	1(230±5°)	270±5°	5M ohm ±20%	±100

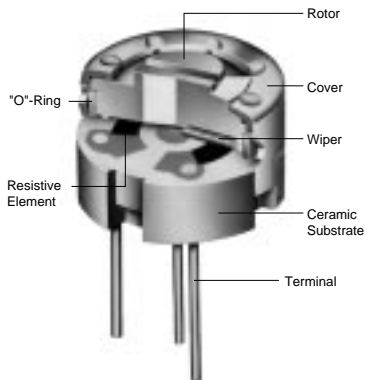
Operating Temperature Range: -55 to 125 °C  
 Soldering Method: Flow/Soldering Iron

## Side Adjustment

Part Number	Power Rating (W)	Number of Turns (Effective Rotation Angle)	Mechanical Angle	Total Resistance Value	TCR (ppm/°C)
PV32N100A01	0.5(70°C)	1(230±5°)	270±5°	10ohm ±20%	±100
PV32N200A01	0.5(70°C)	1(230±5°)	270±5°	20ohm ±20%	±100
PV32N500A01	0.5(70°C)	1(230±5°)	270±5°	50ohm ±20%	±100
PV32N101A01	0.5(70°C)	1(230±5°)	270±5°	100ohm ±20%	±100
PV32N201A01	0.5(70°C)	1(230±5°)	270±5°	200ohm ±20%	±100
PV32N501A01	0.5(70°C)	1(230±5°)	270±5°	500ohm ±20%	±100
PV32N102A01	0.5(70°C)	1(230±5°)	270±5°	1k ohm ±20%	±100
PV32N202A01	0.5(70°C)	1(230±5°)	270±5°	2k ohm ±20%	±100
PV32N502A01	0.5(70°C)	1(230±5°)	270±5°	5k ohm ±20%	±100
PV32N103A01	0.5(70°C)	1(230±5°)	270±5°	10k ohm ±20%	±100
PV32N203A01	0.5(70°C)	1(230±5°)	270±5°	20k ohm ±20%	±100
PV32N503A01	0.5(70°C)	1(230±5°)	270±5°	50k ohm ±20%	±100
PV32N104A01	0.5(70°C)	1(230±5°)	270±5°	100k ohm ±20%	±100
PV32N204A01	0.5(70°C)	1(230±5°)	270±5°)	200k ohm ±20%	±100
PV32N504A01	0.5(70°C)	1(230±5°)	270±5°)	500k ohm ±20%	±100
PV32N105A01	0.5(70°C)	1(230±5°)	270±5°)	1M ohm ±20%	±100
PV32N205A01	0.5(70°C)	1(230±5°)	270±5°)	2M ohm ±20%	±100
PV32N505A01	0.5(70°C)	1(230±5°)	270±5°)	5M ohm ±20%	±100

Operating Temperature Range: -55 to 125 °C  
 Soldering Method: Flow/Soldering Iron

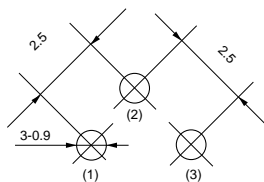
## Construction



6

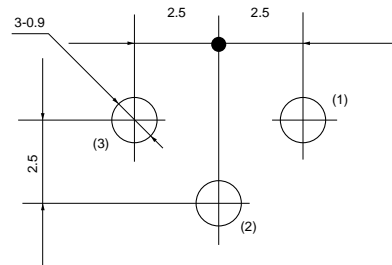
## Standard Mounting Holes

PV32H



(Tolerance: ±0.1 in mm)

PV32N



(Tolerance: ±0.1 in mm)

## ■ Characteristics

Temperature Cycle	$\Delta TR$ : $\pm 2\%$ $\Delta V.S.S.$ : $\pm 1\%$
Humidity	$\Delta TR$ : $\pm 2\%$ IR : 100M ohm min.
Vibration (20G)	$\Delta TR$ : $\pm 1\%$ $\Delta V.S.S.$ : $\pm 1\%$
Shock (100G)	$\Delta TR$ : $\pm 1\%$ $\Delta V.S.S.$ : $\pm 1\%$
Temperature Load Life	$\Delta TR$ : $\pm 2\%$ $\Delta V.S.S.$ : $\pm 2\%$
Low Temperature Exposure	$\Delta TR$ : $\pm 2\%$ $\Delta V.S.S.$ : $\pm 1\%$
High Temperature Exposure	$\Delta TR$ : $\pm 2\%$ $\Delta V.S.S.$ : $\pm 1\%$
Rotational Life	$\Delta TR$ : $\pm 4\%$ (200 cycles)

$\Delta TR$  : Total Resistance Change  
 $\Delta V.S.S.$ : Voltage Setting Stability  
 IR : Insulation Resistance

## PV32 Series Notice

### ■ Notice (Operating and Storage Conditions)

1. Store in temperatures of -10 to +40 deg. C and relative humidity of 30-85%.
2. Do not store in or near corrosive gases.
3. Use within six months after delivery.
4. Open the package just before using.
5. Do not store under direct sunlight.
6. If you use the trimmer potentiometer in an environment other than listed below, please consult with a Murata factory representative prior to using.  
The trimmer potentiometer should not be used under the following environmental conditions:

- (1) Corrosive gaseous atmosphere  
(Ex. Chlorine gas, Hydrogen sulfide gas, Ammonia gas, Sulfuric acid gas, Nitric oxide gas, etc.)
- (2) In liquid  
(Ex. Oil, Medical liquid, Organic solvent, etc.)
- (3) Dusty/dirty atmosphere
- (4) Direct sunlight
- (5) Static voltage nor electric/magnetic fields
- (6) Direct sea breeze
- (7) Other variations of the above

### ■ Notice (Rating)

1. When using with partial load (rheostat), minimize the power depending on the resistance value.
2. The maximum input voltage to a trimmer potentiometer should not exceed  $(P \cdot R)^{1/2}$  or the maximum operating voltage, whichever is smaller.

### ■ Notice (Soldering and Mounting)

1. Soldering
  - (1) Soldering condition  
Refer to the temperature profile.  
If the soldering conditions are not suitable, e.g., excessive time and/or excessive temperature, the trimmer potentiometer may deviate from the specified characteristics.
  - (2) To minimize mechanical stress when adjusting, the trimmer potentiometer should be mounted onto PCB without gap.
  - (3) The soldering iron should not come in contact with the case of the trimmer potentiometer. If such contact does occur, the trimmer potentiometer may be damaged.

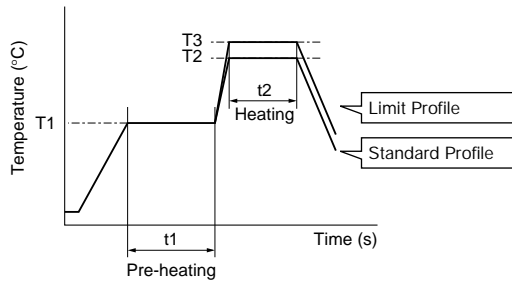
2. Mounting
  - (1) Use PCB hole to meet the pin of the trimmer potentiometer. If the trimmer potentiometer installs into insufficient PCB hole, the trimmer potentiometer may be damaged by mechanical stress.
  - (2) Do not apply excessive force, preferably 9.8N max. (Ref. 1kgf) when the trimmer potentiometer is mounted to the PCB.
3. Cleaning  
Isopropyl-alcohol and Ethyl-alcohol are applicable solvents for cleaning. If you use any other types of solvents, please consult with a Murata factory representative prior to using.

## PV32 Series Notice

### ■ Soldering Profile

#### ● Flow Soldering Profile

Soldering profile for Lead-free solder (96.5Sn/3.0Ag/0.5Cu), Eutectic solder (63Sn/37Pb)



Series	Standard Profile					Limit Profile				
	Pre-heating		Heating		Cycle of Flow	Pre-heating		Heating		Cycle of Flow
	Temp. (T1)	Time (t1)	Temp. (T2)	Time (t2)		Temp. (T1)	Time (t1)	Temp. (T3)	Time (t2)	
	°C	sec.	°C	sec.	Time	°C	sec.	°C	sec.	Time
<b>PV32</b>	150	60 to 120	250	5 max.	1	150	60 to 120	260	3 max.	1

#### ● Soldering Iron

Series	Standard Condition			
	Temperature of Soldering Iron Tip	Soldering Time	Soldering Iron Power Output	Cycle of Soldering Iron
	°C	sec.	W	Time
<b>PV32</b>	350±10	3 max.	30 max.	1

#### ■ Notice (Handling)

- Use suitable screwdrivers that fit comfortably in driver slot. We recommend the screwdrivers below.  
 \* Recommended screwdriver for manual adjustment  
 <PV32 series>  
 ENGINEER INC.: DA-40  
 (Murata P/N: KMDR180)  
 We can supply the screwdrivers above.  
 If you place an order, please specify the Murata P/N.
- Do not apply more than 9.8N (Ref. 1kgf) of twist and stress after mounting onto PCB to prevent contact intermittence. If excessive force is applied, the trimmer potentiometer may not function.
- When adjusting with an adjustment tool, the applied force to the adjustment screw should not exceed 4.9N (Ref. 500gf). If excessive force is applied, the trimmer potentiometer may not function due to damage.
- The rotational torque at the position of the adjustment range should not exceed the stop strength.
- When using a lock paint to fix slot position, please use adhesive resin without chlorine or sulfur (Three-bond "1401 series") and evaluate performance with your product. Lock paint may cause corrosion or electrical contact problems.

#### ■ Notice (Other)

- Please make sure that your product has been evaluated and confirmed against your specifications when our product is mounted to your product.
- Murata cannot guarantee trimmer potentiometer integrity when used under conditions other than those specified in this document.

# Trimmer Potentiometers



## Lead Sealed Type Multi-turn PV12/PV37/PV36 Series

### PV12 Series

#### ■ Features

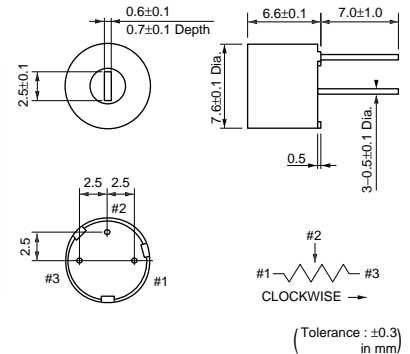
1. The unique inner gear system recognizes the position of the center of the shaft of the potentiometer.
2. Sealed construction protects the interior from dust and liquid, which achieves stable performance.
3. Available for ultrasonic cleaning after soldering
4. Clutch mechanism prevents excessive wiper rotation.
5. PV12 series comply with RoHS directive.

#### ■ Applications

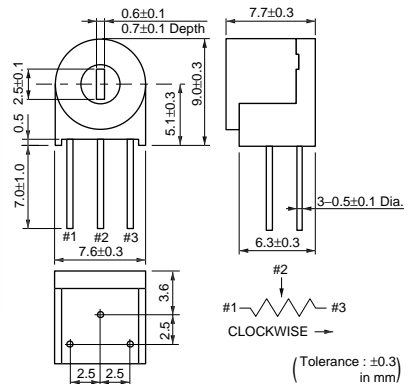
- |                             |                         |
|-----------------------------|-------------------------|
| 1. HDTVs                    | 2. Professional cameras |
| 3. CATV                     | 4. FAX                  |
| 5. Printers                 | 6. Sensors              |
| 7. Switching power supplies |                         |



PV12P



PV12T



### Top Adjustment

Part Number	Power Rating (W)	Number of Turns (Effective Rotation Angle)	Total Resistance Value	TCR (ppm/°C)
PV12P100A01	0.5(70°C)	4	10ohm ±10%	±100
PV12P200A01	0.5(70°C)	4	20ohm ±10%	±100
PV12P500A01	0.5(70°C)	4	50ohm ±10%	±100
PV12P101A01	0.5(70°C)	4	100ohm ±10%	±100
PV12P201A01	0.5(70°C)	4	200ohm ±10%	±100
PV12P501A01	0.5(70°C)	4	500ohm ±10%	±100
PV12P102A01	0.5(70°C)	4	1k ohm ±10%	±100
PV12P202A01	0.5(70°C)	4	2k ohm ±10%	±100
PV12P502A01	0.5(70°C)	4	5k ohm ±10%	±100
PV12P103A01	0.5(70°C)	4	10k ohm ±10%	±100
PV12P203A01	0.5(70°C)	4	20k ohm ±10%	±100
PV12P503A01	0.5(70°C)	4	50k ohm ±10%	±100
PV12P104A01	0.5(70°C)	4	100k ohm ±10%	±100
PV12P204A01	0.5(70°C)	4	200k ohm ±10%	±100
PV12P504A01	0.5(70°C)	4	500k ohm ±10%	±100
PV12P105A01	0.5(70°C)	4	1M ohm ±10%	±100
PV12P205A01	0.5(70°C)	4	2M ohm ±10%	±100

Operating Temperature Range: -55 to 125 °C

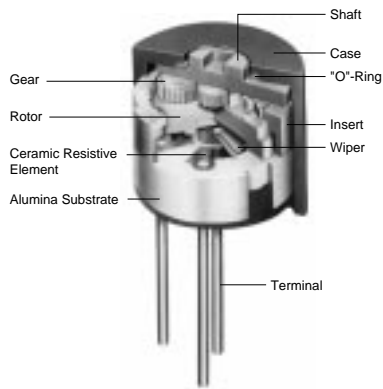
Soldering Method: Flow/Soldering Iron

## Side Adjustment

Part Number	Power Rating (W)	Number of Turns (Effective Rotation Angle)	Total Resistance Value	TCR (ppm/°C)
PV12T100A01	0.5(70°C)	4	10ohm ±10%	±100
PV12T200A01	0.5(70°C)	4	20ohm ±10%	±100
PV12T500A01	0.5(70°C)	4	50ohm ±10%	±100
PV12T101A01	0.5(70°C)	4	100ohm ±10%	±100
PV12T201A01	0.5(70°C)	4	200ohm ±10%	±100
PV12T501A01	0.5(70°C)	4	500ohm ±10%	±100
PV12T102A01	0.5(70°C)	4	1k ohm ±10%	±100
PV12T202A01	0.5(70°C)	4	2k ohm ±10%	±100
PV12T502A01	0.5(70°C)	4	5k ohm ±10%	±100
PV12T103A01	0.5(70°C)	4	10k ohm ±10%	±100
PV12T203A01	0.5(70°C)	4	20k ohm ±10%	±100
PV12T503A01	0.5(70°C)	4	50k ohm ±10%	±100
PV12T104A01	0.5(70°C)	4	100k ohm ±10%	±100
PV12T204A01	0.5(70°C)	4	200k ohm ±10%	±100
PV12T504A01	0.5(70°C)	4	500k ohm ±10%	±100
PV12T105A01	0.5(70°C)	4	1M ohm ±10%	±100
PV12T205A01	0.5(70°C)	4	2M ohm ±10%	±100

Operating Temperature Range: -55 to 125 °C  
 Soldering Method: Flow/Soldering Iron

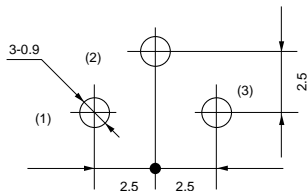
## Construction



7

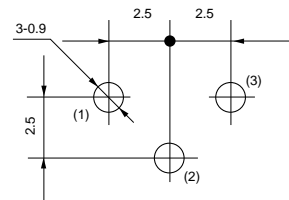
## Standard Mounting Holes

PV12P



(Tolerance: ±0.1 in mm)

PV12T



(Tolerance: ±0.1 in mm)

## ■ Characteristics

Temperature Cycle	$\Delta TR$ : $\pm 2\%$ $\Delta V.S.S.$ : $\pm 1\%$
Humidity	$\Delta TR$ : $\pm 2\%$ IR : 100M ohm min.
Vibration (20G)	$\Delta TR$ : $\pm 1\%$ $\Delta V.S.S.$ : $\pm 1\%$
Shock (100G)	$\Delta TR$ : $\pm 1\%$ $\Delta V.S.S.$ : $\pm 1\%$
Temperature Load Life	$\Delta TR$ : $\pm 3\%$ $\Delta V.S.S.$ : $\pm 2\%$
Low Temperature Exposure	$\Delta TR$ : $\pm 3\%$ $\Delta V.S.S.$ : $\pm 1.5\%$
High Temperature Exposure	$\Delta TR$ : $\pm 3\%$ $\Delta V.S.S.$ : $\pm 1.5\%$
Rotational Life	$\Delta TR$ : $\pm 3\%$ (200 cycles)

$\Delta TR$  : Total Resistance Change  
 $\Delta V.S.S.$ : Voltage Setting Stability  
 IR : Insulation Resistance



## PV37 Series

### ■ Features

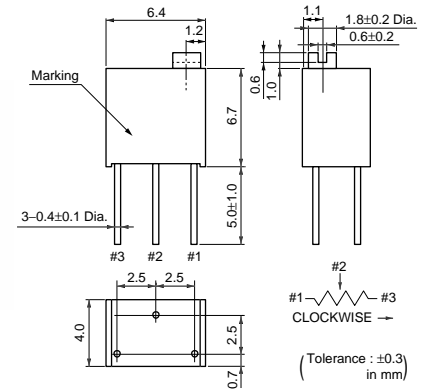
1. Smaller volume (about one-third) than 25-turns potentiometer
2. Sealed construction protects the interior from dust and liquid, which achieves stable performance.
3. Available for ultrasonic cleaning after soldering
4. Clutch mechanism prevents excessive wiper rotation.
5. Both top and side adjustment directions
6. Complies with RoHS directive by new Cd free cermet resistive material. Pb free terminals with Sn plating.

### ■ Applications

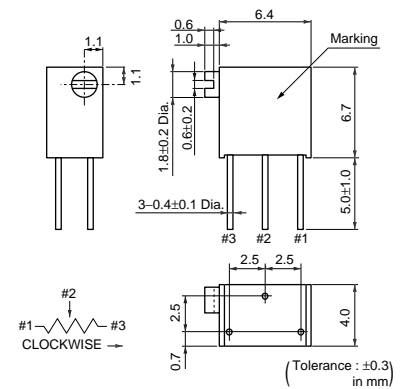
1. Measuring instruments
2. OA equipment
3. Medical equipment
4. Power supply
5. Base station for cellular phone



PV37W



PV37X



### Top Adjustment

Part Number	Power Rating (W)	Number of Turns (Effective Rotation Angle)	Total Resistance Value	TCR (ppm/°C)
PV37W100C01	0.25(85°C)	12	10ohm ±10%	±150
PV37W200C01	0.25(85°C)	12	20ohm ±10%	±150
PV37W500C01	0.25(85°C)	12	50ohm ±10%	±150
PV37W101C01	0.25(85°C)	12	100ohm ±10%	±150
PV37W201C01	0.25(85°C)	12	200ohm ±10%	±150
PV37W501C01	0.25(85°C)	12	500ohm ±10%	±150
PV37W102C01	0.25(85°C)	12	1k ohm ±10%	±150
PV37W202C01	0.25(85°C)	12	2k ohm ±10%	±150
PV37W502C01	0.25(85°C)	12	5k ohm ±10%	±150
PV37W103C01	0.25(85°C)	12	10k ohm ±10%	±150
PV37W203C01	0.25(85°C)	12	20k ohm ±10%	±150
PV37W503C01	0.25(85°C)	12	50k ohm ±10%	±150
PV37W104C01	0.25(85°C)	12	100k ohm ±10%	±150
PV37W204C01	0.25(85°C)	12	200k ohm ±10%	±150
PV37W504C01	0.25(85°C)	12	500k ohm ±10%	±150
PV37W105C01	0.25(85°C)	12	1M ohm ±10%	±150
PV37W205C01	0.25(85°C)	12	2M ohm ±10%	±150

Operating Temperature Range: -55 to 125 °C

Soldering Method: Flow/Soldering Iron

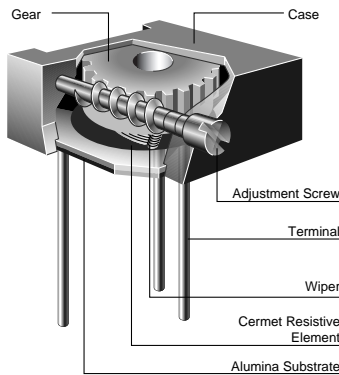
## Side Adjustment

Part Number	Power Rating (W)	Number of Turns (Effective Rotation Angle)	Total Resistance Value	TCR (ppm/°C)
PV37X100C01	0.25(85°C)	12	10ohm ±10%	±150
PV37X200C01	0.25(85°C)	12	20ohm ±10%	±150
PV37X500C01	0.25(85°C)	12	50ohm ±10%	±150
PV37X101C01	0.25(85°C)	12	100ohm ±10%	±150
PV37X201C01	0.25(85°C)	12	200ohm ±10%	±150
PV37X501C01	0.25(85°C)	12	500ohm ±10%	±150
PV37X102C01	0.25(85°C)	12	1k ohm ±10%	±150
PV37X202C01	0.25(85°C)	12	2k ohm ±10%	±150
PV37X502C01	0.25(85°C)	12	5k ohm ±10%	±150
PV37X103C01	0.25(85°C)	12	10k ohm ±10%	±150
PV37X203C01	0.25(85°C)	12	20k ohm ±10%	±150
PV37X503C01	0.25(85°C)	12	50k ohm ±10%	±150
PV37X104C01	0.25(85°C)	12	100k ohm ±10%	±150
PV37X204C01	0.25(85°C)	12	200k ohm ±10%	±150
PV37X504C01	0.25(85°C)	12	500k ohm ±10%	±150
PV37X105C01	0.25(85°C)	12	1M ohm ±10%	±150
PV37X205C01	0.25(85°C)	12	2M ohm ±10%	±150

Operating Temperature Range: -55 to 125 °C

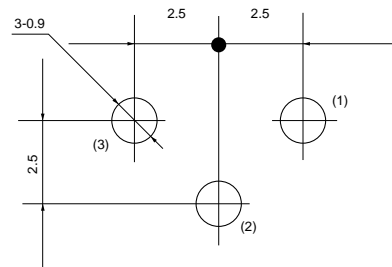
Soldering Method: Flow/Soldering Iron

### Construction



### Standard Mounting Holes

PV37W/PV37X



(Tolerance: ±0.1 in mm)

7

### Characteristics

Temperature Cycle	ΔTR : ±1% ΔV.S.S.: ±1%
Humidity	ΔTR : ±2% IR : 100M ohm min.
Vibration (20G)	ΔTR : ±1% ΔV.S.S.: ±1%
Shock (100G)	ΔTR : ±1% ΔV.S.S.: ±1%
Temperature Load Life	ΔTR : ±2% ΔV.S.S.: ±1%
Low Temperature Exposure	ΔTR : ±1% ΔV.S.S.: ±1%
High Temperature Exposure	ΔTR : ±2% ΔV.S.S.: ±1%
Rotational Life	ΔTR : R≤100 ohm ... ±3% R>100 ohm ... ±2% (200 cycles)

ΔTR : Total Resistance Change  
 ΔV.S.S.: Voltage Setting Stability  
 IR : Insulation Resistance  
 R : Standard Total Resistance

## PV36 Series

### ■ Features

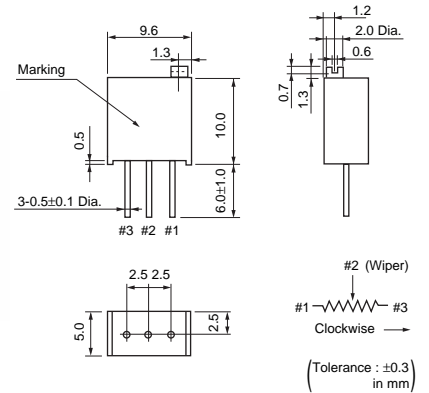
1. High resolution 25-turns enables precision adjustment easily.
2. Sealed construction protects the interior from dust and liquid, which achieves stable performance.
3. Available for ultrasonic cleaning after soldering
4. Clutch mechanism prevents excessive wiper rotation.
5. Both top and side adjustment directions.
6. Complies with RoHS directive by new Cd free cermet resistive material. Pb free terminals with Sn plating.

### ■ Applications

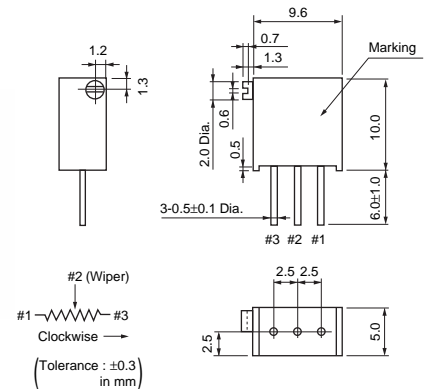
1. Measuring instruments
2. OA equipment
3. Medical equipment
4. Power supply
5. Base station for cellular phone



PV36W



PV36X



### Top Adjustment

Part Number	Power Rating (W)	Number of Turns (Effective Rotation Angle)	Total Resistance Value	TCR (ppm/°C)
PV36W100C01	0.5(70°C)	25	10ohm ±10%	±150
PV36W200C01	0.5(70°C)	25	20ohm ±10%	±150
PV36W500C01	0.5(70°C)	25	50ohm ±10%	±150
PV36W101C01	0.5(70°C)	25	100ohm ±10%	±150
PV36W201C01	0.5(70°C)	25	200ohm ±10%	±100
PV36W501C01	0.5(70°C)	25	500ohm ±10%	±100
PV36W102C01	0.5(70°C)	25	1k ohm ±10%	±100
PV36W202C01	0.5(70°C)	25	2k ohm ±10%	±100
PV36W502C01	0.5(70°C)	25	5k ohm ±10%	±100
PV36W103C01	0.5(70°C)	25	10k ohm ±10%	±100
PV36W203C01	0.5(70°C)	25	20k ohm ±10%	±100
PV36W503C01	0.5(70°C)	25	50k ohm ±10%	±100
PV36W104C01	0.5(70°C)	25	100k ohm ±10%	±100
PV36W204C01	0.5(70°C)	25	200k ohm ±10%	±100
PV36W504C01	0.5(70°C)	25	500k ohm ±10%	±100
PV36W105C01	0.5(70°C)	25	1M ohm ±10%	±100
PV36W205C01	0.5(70°C)	25	2M ohm ±10%	±100

Operating Temperature Range: -55 to 125 °C

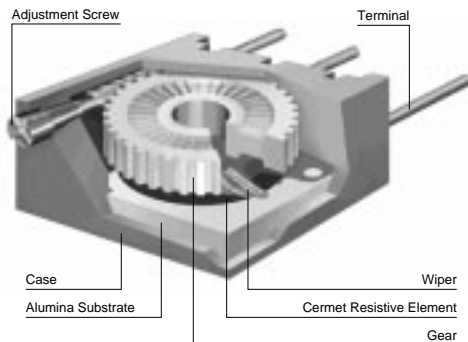
Soldering Method: Flow/Soldering Iron

## Side Adjustment

Part Number	Power Rating (W)	Number of Turns (Effective Rotation Angle)	Total Resistance Value	TCR (ppm/°C)
PV36X100C01	0.5(70°C)	25	10ohm ±10%	±150
PV36X200C01	0.5(70°C)	25	20ohm ±10%	±150
PV36X500C01	0.5(70°C)	25	50ohm ±10%	±150
PV36X101C01	0.5(70°C)	25	100ohm ±10%	±150
PV36X201C01	0.5(70°C)	25	200ohm ±10%	±100
PV36X501C01	0.5(70°C)	25	500ohm ±10%	±100
PV36X102C01	0.5(70°C)	25	1k ohm ±10%	±100
PV36X202C01	0.5(70°C)	25	2k ohm ±10%	±100
PV36X502C01	0.5(70°C)	25	5k ohm ±10%	±100
PV36X103C01	0.5(70°C)	25	10k ohm ±10%	±100
PV36X203C01	0.5(70°C)	25	20k ohm ±10%	±100
PV36X503C01	0.5(70°C)	25	50k ohm ±10%	±100
PV36X104C01	0.5(70°C)	25	100k ohm ±10%	±100
PV36X204C01	0.5(70°C)	25	200k ohm ±10%	±100
PV36X504C01	0.5(70°C)	25	500k ohm ±10%	±100
PV36X105C01	0.5(70°C)	25	1M ohm ±10%	±100
PV36X205C01	0.5(70°C)	25	2M ohm ±10%	±100

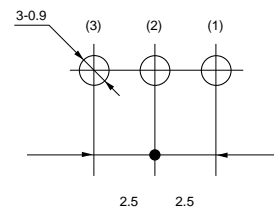
Operating Temperature Range: -55 to 125 °C  
 Soldering Method: Flow/Soldering Iron

### Construction



### Standard Mounting Holes

PV36W/X



(Tolerance: ±0.1 in mm)

7

### Characteristics

Temperature Cycle	ΔTR : ±2% ΔV.S.S.: ±1%
Humidity	ΔTR : ±2% IR : 100M ohm min.
Vibration (20G)	ΔTR : ±1% ΔV.S.S.: ±1%
Shock (100G)	ΔTR : ±1% ΔV.S.S.: ±1%
Temperature Load Life	ΔTR : ±3% ΔV.S.S.: ±1%
Low Temperature Exposure	ΔTR : ±2% ΔV.S.S.: ±1%
High Temperature Exposure	ΔTR : ±3% ΔV.S.S.: ±1%
Rotational Life	ΔTR : R≤1k ohm, R≥500k ohm ... ±5% 1k ohm<R<500k ohm ... ±3% (200 cycles)

ΔTR : Total Resistance Change  
 ΔV.S.S.: Voltage Setting Stability  
 IR : Insulation Resistance  
 R : Standard Total Resistance

## PV12/PV37/PV36 Series Notice

### ■ Notice (Operating and Storage Conditions)

1. Store in temperatures of -10 to +40 deg. C and relative humidity of 30-85%.
2. Do not store in or near corrosive gases.
3. Use within six months after delivery.
4. Open the package just before using.
5. Do not store under direct sunlight.
6. If you use the trimmer potentiometer in an environment other than listed below, please consult with a Murata factory representative prior to using.  
The trimmer potentiometer should not be used under the following environmental conditions:

- (1) Corrosive gaseous atmosphere  
(Ex. Chlorine gas, Hydrogen sulfide gas, Ammonia gas, Sulfuric acid gas, Nitric oxide gas, etc.)
- (2) In liquid  
(Ex. Oil, Medical liquid, Organic solvent, etc.)
- (3) Dusty/dirty atmosphere
- (4) Direct sunlight
- (5) Static voltage nor electric/magnetic fields
- (6) Direct sea breeze
- (7) Other variations of the above

### ■ Notice (Rating)

1. When using with partial load (rheostat), minimize the power depending on the resistance value.
2. The maximum input voltage to a trimmer potentiometer should not exceed  $(P \cdot R)^{1/2}$  or the maximum operating voltage, whichever is smaller.

### ■ Notice (Soldering and Mounting)

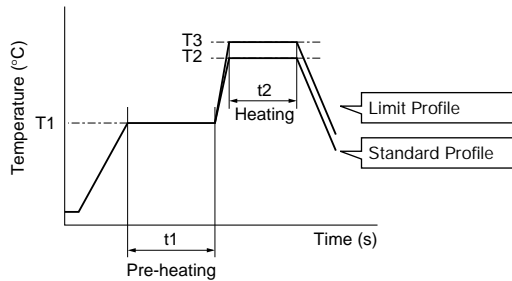
1. Soldering
  - (1) Soldering condition  
Refer to the temperature profile.  
If the soldering conditions are not suitable, e.g., excessive time and/or excessive temperature, the trimmer potentiometer may deviate from the specified characteristics.
  - (2) To minimize mechanical stress when adjusting, the trimmer potentiometer should be mounted onto PCB without gap.
  - (3) The soldering iron should not come in contact with the case of the trimmer potentiometer. If such contact does occur, the trimmer potentiometer may be damaged.
2. Mounting
  - (1) Use PCB hole to meet the pin of the trimmer potentiometer. If the trimmer potentiometer installs into insufficient PCB hole, the trimmer potentiometer may be damaged by mechanical stress.
  - (2) Do not apply excessive force, preferably 9.8N max. (Ref. 1kgf) when the trimmer potentiometer is mounted to the PCB.
3. Cleaning  
Isopropyl-alcohol and Ethyl-alcohol are applicable solvents for cleaning. If you use any other types of solvents, please consult with a Murata factory representative prior to using.

## PV12/PV37/PV36 Series Notice

### ■ Soldering Profile

#### ● Flow Soldering Profile

Soldering profile for Lead-free solder (96.5Sn/3.0Ag/0.5Cu), Eutectic solder (63Sn/37Pb)



Series	Standard Profile					Limit Profile				
	Pre-heating		Heating		Cycle of Flow	Pre-heating		Heating		Cycle of Flow
	Temp. (T1)	Time (t1)	Temp. (T2)	Time (t2)		Temp. (T1)	Time (t1)	Temp. (T3)	Time (t2)	
	°C	sec.	°C	sec.	Time	°C	sec.	°C	sec.	Time
PV12 PV37 PV36	150	60 to 120	250	5 max.	1	150	60 to 120	260	3 max.	1

### ● Soldering Iron

Series	Standard Condition			
	Temperature of Soldering Iron Tip	Soldering Time	Soldering Iron Power Output	Cycle of Soldering Iron
	°C	sec.	W	Time
PV12 PV37 PV36	350±10	3 max.	30 max.	1

### ■ Notice (Handling)

- Use suitable screwdrivers that fit comfortably in driver slot. We recommend the screwdrivers below.  
 \* Recommended screwdriver for manual adjustment  
 ENGINEER INC.: DA-40  
 (Murata P/N: KMDR180)  
 We can supply the screwdrivers above.  
 If you place order, please specify the Murata P/N.
- Do not apply more than 9.8N (Ref. 1kgf) of twist and stress after mounting onto PCB to prevent contact intermittence. If excessive force is applied, the trimmer potentiometer may not function.
- When adjusting with an adjustment tool, the applied force to the adjustment screw should not exceed 4.9N (Ref. 500gf). If excessive force is applied, the trimmer potentiometer may not function due to damage.
- When using a lock paint to fix slot position, please use adhesive resin without chlorine or sulfur (Three-bond "1401 series") and evaluate performance with your product. Lock paint may cause corrosion or electrical contact problems.

### ■ Notice (Other)

- Please make sure that your product has been evaluated and confirmed against your specifications when our product is mounted to your product.
- Murata cannot guarantee trimmer potentiometer integrity when used under conditions other than those specified in this document.

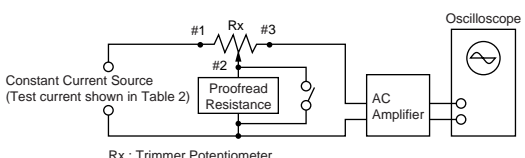
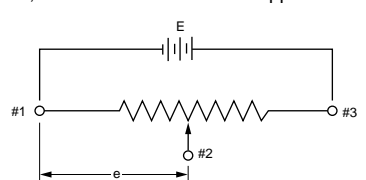
## SMD Open Type (PVZ2/A2/Z3)/SMD Sealed Type (PVM4A\_C01 Series) Specifications and Test Methods


The tests and measurements should be conducted under the condition of 15 to 35°C of temperature, 25 to 75% of relative humidity and 86 to 106 kpa of atmospheric pressure unless otherwise specified. If questionable results occur that have been measured in accordance with the above mentioned conditions, the tests and measurements should be conducted under the condition of 25±2°C of temperature, 45 to 55% of relative humidity and 86 to 106 kpa of atmospheric pressure.

No.	Item	Test Methods																																
1	Residual Resistance	Position the contact arm at the extreme counterclockwise limit of mechanical travel and measure the resistance between the contact arm and the corresponding end terminal. Then, position the contact arm at the extreme clockwise limit of mechanical travel and measure the resistance between the contact arm and the corresponding end terminal. During this test, take suitable precautions to ensure that the rated current of the resistance element is not exceeded.																																
2	Contact Resistance	<p>Contact resistance variation should be measured with the measuring circuit shown below, or its equivalent. The operating wiper should be rotated in both directions through 90% of the actual effective-electrical travel for a total of 6 cycles.</p> <p>The rate of rotation of the operating wiper should be such that the wiper completes 1 count in determining whether or not a contact resistance variation is observed at least twice in the same location. The test current should follow the value given in Table 2 unless otherwise limited by the power rating.</p> <p>• PVZ/PVA2</p> <table border="1"> <thead> <tr> <th>Standard Total Resistance R (ohm)</th> <th>Test Current</th> </tr> </thead> <tbody> <tr> <td>100 ≤ R &lt; 10k</td> <td>20mA max.</td> </tr> <tr> <td>10k ≤ R &lt; 100k</td> <td>1mA max.</td> </tr> <tr> <td>100k ≤ R</td> <td>100µA max.</td> </tr> </tbody> </table> <p>• PVM4A□□□C01</p> <table border="1"> <thead> <tr> <th>Standard Total Resistance R (ohm)</th> <th>Test Current</th> <th>Standard Total Resistance R (ohm)</th> <th>Test Current</th> </tr> </thead> <tbody> <tr> <td>R ≤ 100</td> <td>20mA</td> <td>50k ≤ R &lt; 200k</td> <td>200µA</td> </tr> <tr> <td>100 &lt; R &lt; 500</td> <td>10mA</td> <td>200k ≤ R &lt; 1M</td> <td>100µA</td> </tr> <tr> <td>500 ≤ R &lt; 1k</td> <td>4mA</td> <td>1M ≤ R &lt; 2M</td> <td>50µA</td> </tr> <tr> <td>1k ≤ R &lt; 2k</td> <td>2mA</td> <td>2M ≤ R</td> <td>30µA</td> </tr> <tr> <td>2k ≤ R &lt; 50k</td> <td>1mA</td> <td></td> <td></td> </tr> </tbody> </table> <p>Table 2: Test current for CRV</p> <p>Figure 1: CRV measuring circuit</p>	Standard Total Resistance R (ohm)	Test Current	100 ≤ R < 10k	20mA max.	10k ≤ R < 100k	1mA max.	100k ≤ R	100µA max.	Standard Total Resistance R (ohm)	Test Current	Standard Total Resistance R (ohm)	Test Current	R ≤ 100	20mA	50k ≤ R < 200k	200µA	100 < R < 500	10mA	200k ≤ R < 1M	100µA	500 ≤ R < 1k	4mA	1M ≤ R < 2M	50µA	1k ≤ R < 2k	2mA	2M ≤ R	30µA	2k ≤ R < 50k	1mA		
Standard Total Resistance R (ohm)	Test Current																																	
100 ≤ R < 10k	20mA max.																																	
10k ≤ R < 100k	1mA max.																																	
100k ≤ R	100µA max.																																	
Standard Total Resistance R (ohm)	Test Current	Standard Total Resistance R (ohm)	Test Current																															
R ≤ 100	20mA	50k ≤ R < 200k	200µA																															
100 < R < 500	10mA	200k ≤ R < 1M	100µA																															
500 ≤ R < 1k	4mA	1M ≤ R < 2M	50µA																															
1k ≤ R < 2k	2mA	2M ≤ R	30µA																															
2k ≤ R < 50k	1mA																																	
3	Humidity Exposure	The wiper contact point should be preset at about 50% position of effective rotational angle. After that, the potentiometer should be placed in a chamber at 40±2°C and 90 - 95% without loading for 500±12 hours. The resistance value should be measured after keeping the potentiometer in a room for 5±1/6 hours.																																
4	High Temperature Exposure	The wiper contact point should be preset at about 50% position of effective rotational angle. After that, the potentiometer should be placed in a chamber at 70±2°C without loading for 500±12 hours. The resistance value should be measured after keeping the potentiometer in a room for 1.5±1/6 hours.																																
5	Humidity Load Life	The wiper contact point should be preset at about 50% position of effective rotational angle. After that, the potentiometer should be placed in a chamber at 40±2°C and 90 - 95% with loading the 1/2 rated voltage between #1 and #2 terminals, intermittently 1.5 hours ON and 0.5 hours OFF for 1000±12 hours. The resistance value should be measured after keeping the potentiometer in a room for 5±1/6 hours.																																
6	Load Life	The wiper contact point should be preset at about 50% position of effective rotational angle. After that, the potentiometer should be placed in a chamber at 70±2°C (50±2°C for PVZ) with loading the 1/2 rated voltage between #1 and #2 terminals, intermittently 1.5 hours ON and 0.5 hours OFF for 1000±12 hours. The resistance value should be measured after keeping the potentiometer in a room for 1 to 2 hours.																																
7	Temperature Cycle	<p>The wiper contact point should be preset at about 50% position of effective rotational angle. After that, the potentiometer should be subjected to Table 3, Table 4 temperature for 5 cycles. The resistance value should be measured after keeping the potentiometer in a room for 1 to 2 hours.</p> <table border="1"> <thead> <tr> <th>Sequence</th> <th>1</th> <th>2</th> <th>3</th> <th>4</th> </tr> </thead> <tbody> <tr> <td>Temp. (°C)</td> <td>-25±3</td> <td>+25±2</td> <td>+85±3</td> <td>+25±2</td> </tr> <tr> <td>Time (min.)</td> <td>30±3</td> <td>10 max.</td> <td>30±3</td> <td>10 max.</td> </tr> </tbody> </table> <p>Table 3: PVZ</p> <table border="1"> <thead> <tr> <th>Sequence</th> <th>1</th> <th>2</th> <th>3</th> <th>4</th> </tr> </thead> <tbody> <tr> <td>Temp. (°C)</td> <td>-55±3</td> <td>+25±2</td> <td>+125±3</td> <td>+25±2</td> </tr> <tr> <td>Time (min.)</td> <td>30±3</td> <td>10 max.</td> <td>30±3</td> <td>10 max.</td> </tr> </tbody> </table> <p>Table 4: PVA2/PVM4A□□□C01</p>	Sequence	1	2	3	4	Temp. (°C)	-25±3	+25±2	+85±3	+25±2	Time (min.)	30±3	10 max.	30±3	10 max.	Sequence	1	2	3	4	Temp. (°C)	-55±3	+25±2	+125±3	+25±2	Time (min.)	30±3	10 max.	30±3	10 max.		
Sequence	1	2	3	4																														
Temp. (°C)	-25±3	+25±2	+85±3	+25±2																														
Time (min.)	30±3	10 max.	30±3	10 max.																														
Sequence	1	2	3	4																														
Temp. (°C)	-55±3	+25±2	+125±3	+25±2																														
Time (min.)	30±3	10 max.	30±3	10 max.																														
8	Temperature Coefficient of Resistance	<p>The trimmer potentiometer should be subjected to each of the following temperatures (see Table 5, Table 6) for 30 to 40 minutes. The resistance value should be measured in the chamber.</p> $TCR = \frac{R_2 - R_1}{R_1 (T_2 - T_1)} \times 10^6 \text{ (ppm/°C)}$ <p>T<sub>1</sub> : Reference temperature in degrees celsius              R<sub>1</sub> : Resistance at reference temperature in ohm</p> <p>T<sub>2</sub> : Test temperature in degrees celsius              R<sub>2</sub> : Resistance at test temperature in ohm</p> <table border="1"> <thead> <tr> <th>Sequence</th> <th>1*</th> <th>2</th> <th>3*</th> <th>4</th> </tr> </thead> <tbody> <tr> <td>Temp. (°C)</td> <td>+25±2</td> <td>-25±3</td> <td>+25±2</td> <td>+85±3</td> </tr> </tbody> </table> <p>Table 5: PVZ</p> <table border="1"> <thead> <tr> <th>Sequence</th> <th>1*</th> <th>2</th> <th>3*</th> <th>4</th> </tr> </thead> <tbody> <tr> <td>Temp. (°C)</td> <td>+25±2</td> <td>-55±3</td> <td>+25±2</td> <td>+125±3</td> </tr> </tbody> </table> <p>Table 6: PVA2/PVM4A□□□C01</p> <p>Note*: Norm temp.</p>	Sequence	1*	2	3*	4	Temp. (°C)	+25±2	-25±3	+25±2	+85±3	Sequence	1*	2	3*	4	Temp. (°C)	+25±2	-55±3	+25±2	+125±3												
Sequence	1*	2	3*	4																														
Temp. (°C)	+25±2	-25±3	+25±2	+85±3																														
Sequence	1*	2	3*	4																														
Temp. (°C)	+25±2	-55±3	+25±2	+125±3																														
9	Rotational Life	The wiper should be rotated over 90% of the effective rotational angle without loading at a speed of 10 cycles per minute, for 10 cycles continuously. The resistance value should be measured after keeping the potentiometer in a room for 10±5 minutes.																																

## SMD Sealed Type (PVG3/M4A\_D01/G5)/Lead Sealed Type (PV32/12/37/36) Specifications and Test Methods

The following describes trimmer potentiometer testing conducted by Murata Manufacturing Co., Ltd. in accordance with MIL-R-22097 (Military specification for variable resistors, non-wirewound) and MIL-STD-202 (Test methods for electronic and electrical component parts).

No.	Item	Test Methods																				
1	Total Resistance	<p>Measure total resistance between the resistance element and terminals (#1 and #3) with the contact arm positioned against a stop. The positioning of the contact arm and terminal should be the same for subsequent total resistance measurements on the same device. Use the test voltage specified in Table 1 for total resistance measurements. This voltage should be used for all subsequent total resistance measurements.</p> <table border="1"> <thead> <tr> <th>Total Resistance, Nominal (ohm)</th> <th>Maximum Test Voltage (V)</th> </tr> </thead> <tbody> <tr> <td><math>10 \leq R \leq 100</math></td> <td>1.0</td> </tr> <tr> <td><math>100 &lt; R \leq 1k</math></td> <td>3.0</td> </tr> <tr> <td><math>1k &lt; R \leq 10k</math></td> <td>10.0</td> </tr> <tr> <td><math>10k &lt; R \leq 100k</math></td> <td>30.0</td> </tr> <tr> <td><math>100k &lt; R</math></td> <td>100.0</td> </tr> </tbody> </table> <p>Table 1: Total resistance test voltage</p>	Total Resistance, Nominal (ohm)	Maximum Test Voltage (V)	$10 \leq R \leq 100$	1.0	$100 < R \leq 1k$	3.0	$1k < R \leq 10k$	10.0	$10k < R \leq 100k$	30.0	$100k < R$	100.0								
Total Resistance, Nominal (ohm)	Maximum Test Voltage (V)																					
$10 \leq R \leq 100$	1.0																					
$100 < R \leq 1k$	3.0																					
$1k < R \leq 10k$	10.0																					
$10k < R \leq 100k$	30.0																					
$100k < R$	100.0																					
2	Residual Resistance	<p>Position the contact arm at the extreme counterclockwise limit of mechanical travel and measure the resistance between the contact arm and the corresponding end terminal. Then, position the contact arm at the extreme clockwise limit of mechanical travel and measure the resistance between the contact arm and the corresponding end terminal. During this test, take suitable precautions to ensure that the rated current of the resistance element is not exceeded.</p>																				
3	Contact Resistance Variation	<p>Contact resistance variation should be measured with the measuring circuit shown in Figure 1, or its equivalent. The adjustment rotor (screw) should be rotated in both directions through 90% of the actual effective-electrical rotational angle (number of turns) for a total of 6 cycles. Only the last 3 cycles should count in determining whether or not a contact resistance variation is observed at least twice in the same location, exclusive of the roll-on or roll-off points where the contact arm moves from the termination, on or off, the resistance element. The rate of rotation of the adjustment rotor (screw) should be such that the adjustment rotor (screw) completes 1 cycle for 5 seconds minimum to 2 minutes maximum. The test current used should follow the value given in Table 2 unless otherwise limited by power rating.</p> <table border="1"> <thead> <tr> <th>Standard Total Resistance R (ohm)</th> <th>Test Current</th> </tr> </thead> <tbody> <tr> <td><math>R \leq 100</math></td> <td>20mA</td> </tr> <tr> <td><math>100 &lt; R &lt; 500</math></td> <td>10mA</td> </tr> <tr> <td><math>500 \leq R &lt; 1k</math></td> <td>4mA</td> </tr> <tr> <td><math>1k \leq R &lt; 2k</math></td> <td>2mA</td> </tr> <tr> <td><math>2k \leq R &lt; 50k</math></td> <td>1mA</td> </tr> <tr> <td><math>50k \leq R &lt; 200k</math></td> <td>200μA</td> </tr> <tr> <td><math>200k \leq R &lt; 1M</math></td> <td>100μA</td> </tr> <tr> <td><math>1M \leq R &lt; 2M</math></td> <td>50μA</td> </tr> <tr> <td><math>2M \leq R</math></td> <td>30μA</td> </tr> </tbody> </table> <p>Table 2: Test current for CRV</p>  <p>Figure 1: CRV measuring circuit</p>	Standard Total Resistance R (ohm)	Test Current	$R \leq 100$	20mA	$100 < R < 500$	10mA	$500 \leq R < 1k$	4mA	$1k \leq R < 2k$	2mA	$2k \leq R < 50k$	1mA	$50k \leq R < 200k$	200μA	$200k \leq R < 1M$	100μA	$1M \leq R < 2M$	50μA	$2M \leq R$	30μA
Standard Total Resistance R (ohm)	Test Current																					
$R \leq 100$	20mA																					
$100 < R < 500$	10mA																					
$500 \leq R < 1k$	4mA																					
$1k \leq R < 2k$	2mA																					
$2k \leq R < 50k$	1mA																					
$50k \leq R < 200k$	200μA																					
$200k \leq R < 1M$	100μA																					
$1M \leq R < 2M$	50μA																					
$2M \leq R$	30μA																					
4	Temperature Coefficient of Resistance	<p>The trimmer potentiometer should be subjected to each of the following temperatures (see Table 3) for 30-45 minutes. Temperature coefficient of resistance should be applied to the following formula.</p> $TCR = \frac{R_2 - R_1}{R_1 (T_2 - T_1)} \times 10^6 \text{ (ppm/}^\circ\text{C)}$ <p> <math>T_1</math> : Reference temperature in degrees celsius  <math>T_2</math> : Test temperature in degrees celsius  <math>R_1</math> : Resistance at reference temperature ohm  <math>R_2</math> : Resistance at test temperature in ohm                 </p> <table border="1"> <thead> <tr> <th>Sequence</th> <th>1*</th> <th>2</th> <th>3</th> <th>4*</th> <th>5</th> <th>6</th> </tr> </thead> <tbody> <tr> <td>Temperature (°C)</td> <td>+25</td> <td>-15</td> <td>Min. operating Temperature</td> <td>+25</td> <td>+65</td> <td>Max. operating Temperature</td> </tr> </tbody> </table> <p>Note*: Reference temperature</p> <p>Table 3: Test temperatures</p>	Sequence	1*	2	3	4*	5	6	Temperature (°C)	+25	-15	Min. operating Temperature	+25	+65	Max. operating Temperature						
Sequence	1*	2	3	4*	5	6																
Temperature (°C)	+25	-15	Min. operating Temperature	+25	+65	Max. operating Temperature																
5	Voltage Setting Stability	<p>The wiper should be set at approximately 40% of the actual effective-electrical rotational angle (number of turns). An adequate DC test potential should be applied between terminal #1 and terminal #3. The voltage between terminal #1 and terminal #3, and the voltage between terminal #1 and terminal #2, should be measured and applied to the following formula.</p> $\text{Voltage setting stability} = \left( \frac{e'}{E} - \frac{e}{E} \right) \times 100 \text{ (\%)}$ <p> <math>e</math> : Before test                      (The voltage between terminal #1 and terminal #2)  <math>e'</math> : After test                      (The voltage between terminal #1 and terminal #2)                 </p>  <p>Figure 2</p>																				

Continued on the following page. 



## SMD Sealed Type (PVG3/M4A\_D01/G5)/Lead Sealed Type (PV32/12/37/36) Specifications and Test Methods

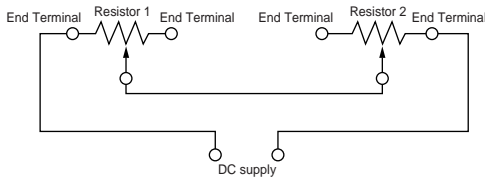
Continued from the preceding page.

No.	Item	Test Methods															
6	Temperature Cycle	<p>The trimmer potentiometer should be subjected to Table 4 temperature for 5 cycles. The trimmer potentiometer should be removed from the chamber, and maintained at a temperature of 25±5°C for 1-2 hours.</p> <table border="1"> <thead> <tr> <th>Sequence</th> <th>1</th> <th>2</th> <th>3</th> <th>4</th> </tr> </thead> <tbody> <tr> <td>Temp. (°C)</td> <td>PV□□ series -55±3</td> <td>+25±2</td> <td>+125±3</td> <td>+25±2</td> </tr> <tr> <td>Time (min.)</td> <td>30</td> <td>5 max.</td> <td>30</td> <td>5 max.</td> </tr> </tbody> </table> <p>Table 4: One cycle of temperature cycle.</p>	Sequence	1	2	3	4	Temp. (°C)	PV□□ series -55±3	+25±2	+125±3	+25±2	Time (min.)	30	5 max.	30	5 max.
Sequence	1	2	3	4													
Temp. (°C)	PV□□ series -55±3	+25±2	+125±3	+25±2													
Time (min.)	30	5 max.	30	5 max.													
7	Humidity	<p>1) PV12, PV32, PVM4A□□□D01 series The trimmer potentiometer should be placed in a chamber at a temperature of 40±2°C and a humidity of 90-95% without loading for 250±8 hours (500±12 hours for PVM4A□□□D01 series). The trimmer potentiometer should be removed from the chamber, and maintained at a temperature of 25±5°C for 5±1/6 hours.</p> <p>2) PVG3, PVG5, PV36, PV37 series The trimmer potentiometer should be subjected to the programmed humidity environment for 10cycle (see Figure 3). The trimmer potentiometer should be removed from the chamber, and maintained at a temperature of 25±5°C for 1.5±1/2 hours.</p> <p>Figure 3</p>															
8	Vibration	<p>1) PV□□ series The trimmer potentiometer should be vibrated throughout the frequency range at the 20G level. A complete frequency range, 10Hz to 2000Hz and back, should be made within 15 minutes for a total of 4 sweeps in each of the three axis directions for a total of 12 sweeps.</p>															
9	Shock	<p>1) PV□□ series The trimmer potentiometer should be shocked at the 100G level and should be subjected to 4 shocks in each of the three axis directions for a total of 12 shocks.</p> <p>2) PVM4A□□□D01 series The trimmer potentiometer should be shocked at the 100G level and should be subjected to 3 shocks in each of the six axis directions for a total of 18 shocks.</p>															
10	Temperature Road Life	<p>Full rated continuous working voltage not exceeding the maximum rated voltage should be applied intermittently between terminal #1 and terminal #3 of the trimmer potentiometer, 1.5 hours on and 0.5 hours off, for a total of 1000±12 hours, at a temperature of 70±2°C (85±2°C for PV37 series). The trimmer potentiometer should be removed from the chamber, and maintained at a temperature of 25±5°C for 1 to 2 hours.</p>															
11	High Temperature Exposure	<p>The trimmer potentiometer should be placed in a chamber at a temperature of 125±3°C 250±8 hours without loading. The trimmer potentiometer should be removed from the chamber, and maintained at a temperature of 25±5°C for 1 to 2 hours.</p>															
12	Low Temperature Exposure (Except for PVM4A□□□D01)	<p>The trimmer potentiometer should be placed in a chamber at a temperature of -55±3°C for 1 hours without loading. Full rated continuous working voltage not exceeding the maximum rated voltage should be applied for 45 minutes. The trimmer potentiometer should be removed from the chamber, and maintained at a temperature of 25±5°C for approximately 24 hours.</p>															
13	Low Temperature Operation (Only for PVM4A□□□D01)	<p>The trimmer potentiometer should be placed in a chamber at a temperature of -25±3°C (-55±3°C for PVM4A□□□D01 series) 48±4 hours without loading. The trimmer potentiometer should be removed from the chamber, and maintained at a temperature of 25±5°C for 1-2 hours.</p>															

Continued on the following page. ↗

## SMD Sealed Type (PVG3/M4A\_D01/G5)/Lead Sealed Type (PV32/12/37/36) Specifications and Test Methods

Continued from the preceding page.

No.	Item	Test Methods
14	Rotational Life	<p>1) PV□□ series                      Full rated continuous working voltage not exceeding the maximum rated voltage should be applied with the circuit shown in the figure. The adjustment rotor (screw) should be continuously cycled through not less than 90% of effective-electrical rotational angle (number of turns), at the rate of 1 cycle for 5 seconds minimum to 2.5 minutes maximum for total of 200 cycles.</p>  <p style="text-align: center;">Figure 4</p> <p>2) PVG3, PVG5 series                      The adjustment rotor (screw) should be continuously cycled though not less than 90% of effective-electrical rotational angle (number of turns), at the rate of 1 cycle for 5 seconds minimum to 2.5 minutes maximum for a total of 50 (100 for PVG5) cycles, without loading.</p> <p>3) PVM4A□□□D01 series                      The wiper should be rotated over 90% of the effective rotational angle without loading at a speed of 10 cycles per minute, for 100 cycles continuously.</p>

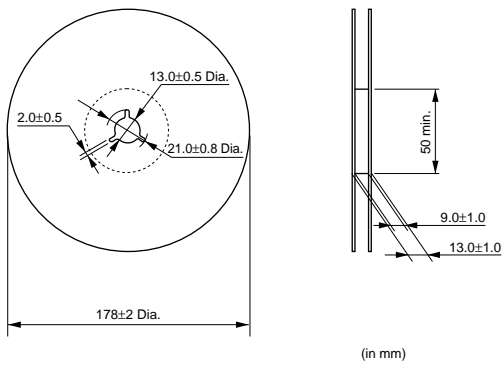
## Packaging

### ■ Minimum Quantity

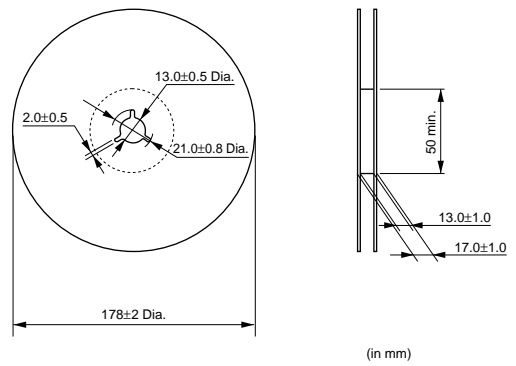
Part Number	Minimum Quantity (pcs.)	
	ø180mm reel	Bulk
PVZ2A	3000	1000
PVZ2R	3000	1000
PVA2	3000	1000
PVZ3A/H	2000	1000
PVZ3G	2500	1000
PVZ3K	1500	1000
PVG3A/G	1000	500
PVM4	500	500
PVG5A	250	100
PVG5H	500	100
PV32	—	100
PV12	—	50
PV36	—	100
PV37	—	100

### ■ Dimensions of Reel

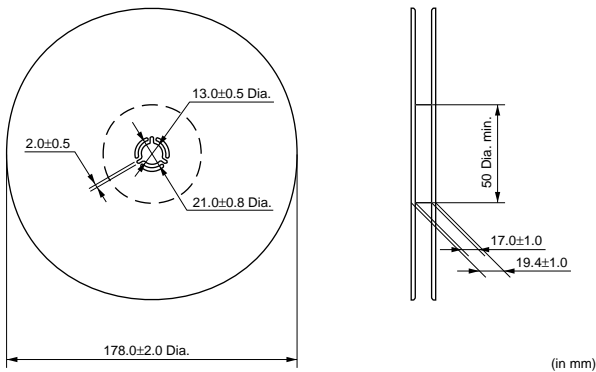
PVZ2A/PVA2/PVZ3A/PVZ3G/PVZ3H



PVZ2R/PVZ3K/PVM4/PVG3/PVG5H



PVG5A



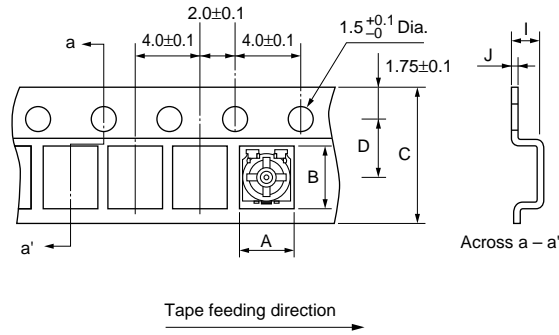
Continued on the following page.

## Packaging

Continued from the preceding page.

### ■ Dimensions of Plastic Tape

#### PVZ2 / PVA2 / PVZ3

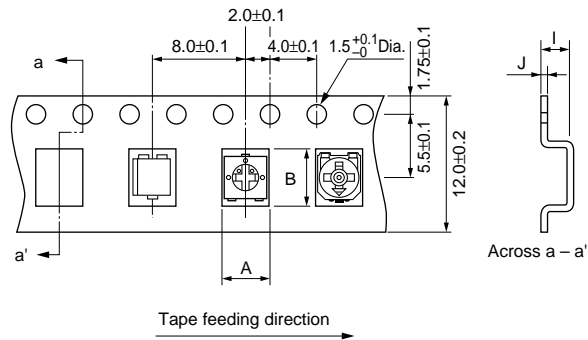


Part Number	A	B	C	D	I	J
PVZ2A	2.4±0.2	3.1±0.1	8.0±0.2	3.5±0.1	1.1±0.1	0.2±0.1
PVZ2R		5.1±0.2	12.0±0.2	5.5±0.1	1.0±0.1	0.3±0.1
PVA2		3.1±0.1	8.0±0.2	3.5±0.1	1.1±0.1	0.2±0.1
PVZ3A/H	3.8±0.2	1.95±0.1				
PVZ3G	5.8±0.2	1.3±0.1				
PVZ3K	5.8±0.2	12.0±0.2	5.5±0.1	2.3±0.1	0.3±0.1	

• The side containing terminals #1 and #3 faces the plastic tape pilot holes.

(in mm)

#### PVG3A / PVG3G / PVM4 / PVG5H



Part Number	A	B	I	J
PVG3A	4.0±0.1	4.0±0.1	2.1±0.1	0.3±0.1
PVG3G		4.9±0.1		
PVM4	4.5±0.2	5.5±0.2	2.15±0.1	0.3±0.1
PVG5H	5.4±0.2	5.8±0.2	4.0±0.1	0.4±0.1

• The side containing terminals #1 and #3 faces the plastic tape pilot holes (except PVG3).

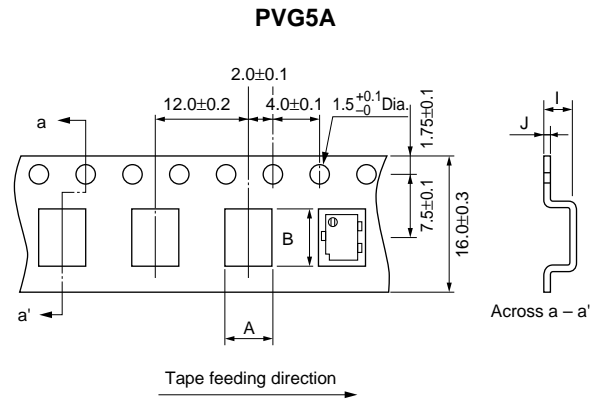
(in mm)

Continued on the following page.

# Packaging

Continued from the preceding page.

## ■ Dimensions of Plastic Tape



Part Number	A	B	I	J
<b>PVG5A</b>	4.3±0.2	5.4±0.2	5.4±0.1	0.4±0.1

(in mm)

## Recommended Adjustment Tools/Qualified Standards

### ■ Recommended Adjustment Tools

Trimmer Potentiometer Series	Manufacturers	Model Number	MURATA Model Number	Blade
<b>PVZ2/PVA2</b>	MURATA MFG.	KMDR190	KMDR190	+ Cross
<b>PVZ3G</b>	VESSEL MFG.	No.9000+1.7X30	KMDR080	+ Cross
<b>PVZ3A/PVZ3H/PVG3</b>	TORAY INDUSTRIES, INC.	SA-2225	KMDR070	- Minus (round edge)
<b>PVM4</b>	VESSEL MFG.	No.9000-2.6X30	KMDR120	- Minus
<b>PVG5</b>	VESSEL MFG.	No.9000-1.3X30	KMDR130	- Minus
	ENGINEER INC.	DA-54		- Minus
others	VESSEL MFG.	No.9000-1.8X30	KMDR110	- Minus

### ■ For Automatic Adjustment

Trimmer Potentiometer Series	Manufacturers	Model Number	MURATA Model Number	Blade
<b>PVZ3 PVG3</b>	TORAY INDUSTRIES, INC	JB-2225	KMBT070	- Minus (round edge)

### ■ Qualified Standards

The products listed here have been produced by the ISO9001 and ISO/TS16949 certified factory.

MURATA FACTORY	Qualified Date	Standard	Qualified Number
Wuxi Murata Electronics Co.,Ltd.	May 12, 1999	UNDERWRITERS LABORATORIES INC.	A7924

\* No ODCs (Ozone Depleting Chemicals) are used on all Murata's trimmer potentiometers.

**△Note:**

1. Export Control

<For customers outside Japan>

No Murata products should be used or sold, through any channels, for use in the design, development, production, utilization, maintenance or operation of, or otherwise contribution to (1) any weapons (Weapons of Mass Destruction [nuclear, chemical or biological weapons or missiles] or conventional weapons) or (2) goods or systems specially designed or intended for military end-use or utilization by military end-users.

<For customers in Japan>

For products which are controlled items subject to the "Foreign Exchange and Foreign Trade Law" of Japan, the export license specified by the law is required for export.

2. Please contact our sales representatives or product engineers before using the products in this catalog for the applications listed below, which require especially high reliability for the prevention of defects which might directly damage a third party's life, body or property, or when one of our products is intended for use in applications other than those specified in this catalog.

- |                             |  |
|-----------------------------|--|
| ① Aircraft equipment        | ② Aerospace equipment  |
| ③ Undersea equipment        | ④ Power plant equipment  |
| ⑤ Medical equipment         | ⑥ Transportation equipment (vehicles, trains, ships, etc.)   |
| ⑦ Traffic signal equipment  | ⑧ Disaster prevention / crime prevention equipment   |
| ⑨ Data-processing equipment | ⑩ Application of similar complexity and/or reliability requirements to the applications listed above |

3. Product specifications in this catalog are as of September 2010. They are subject to change or our products in it may be discontinued without advance notice. Please check with our sales representatives or product engineers before ordering. If there are any questions, please contact our sales representatives or product engineers.

4. Please read rating and △CAUTION (for storage, operating, rating, soldering, mounting and handling) in this catalog to prevent smoking and/or burning, etc.

5. This catalog has only typical specifications because there is no space for detailed specifications. Therefore, please approve our product specifications or transact the approval sheet for product specifications before ordering.

6. Please note that unless otherwise specified, we shall assume no responsibility whatsoever for any conflict or dispute that may occur in connection with the effect of our and/or a third party's intellectual property rights and other related rights in consideration of your use of our products and/or information described or contained in our catalogs. In this connection, no representation shall be made to the effect that any third parties are authorized to use the rights mentioned above under licenses without our consent.

7. No ozone depleting substances (ODS) under the Montreal Protocol are used in our manufacturing process.