



BU-00000-*

Part # color

* 0 - Black
 2 - Red
 4 - Yellow

5 - Green
 6 - Blue
 9 - White

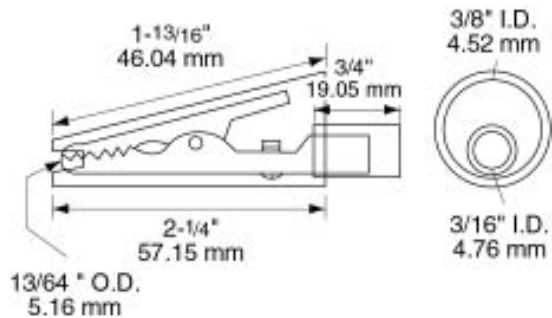
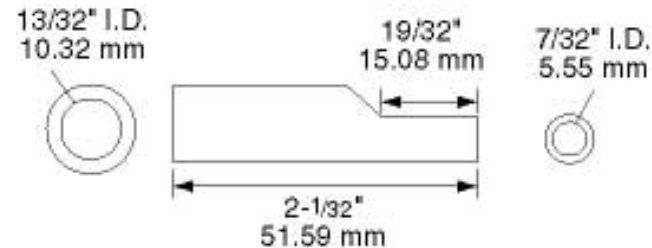
CLIPS & INSULATORS



BU-62-* Insulator for various Alligator Clip -
 10 Amps

[Enlarge](#)

- Tough flexible vinyl
- Available in black, red, yellow, green, blue and white
- Use with parts: 60, 60C, 60CS, 60PR2, 60S, 60TBO, 60U, 60X, and 61
- [Product Data Sheet](#)
- [Send us your questions about this product](#)



Insulated Alligator Clip - 10 Amp
BU-63 (Steel) BU-63C (Solid Copper)

- Skin tight, two piece, flexible vinyl insulator
- Available in black, red, yellow, green, blue and white
- Nose width 0.13"
- [Product Data Sheet](#)
- [Send us your questions about this product](#)



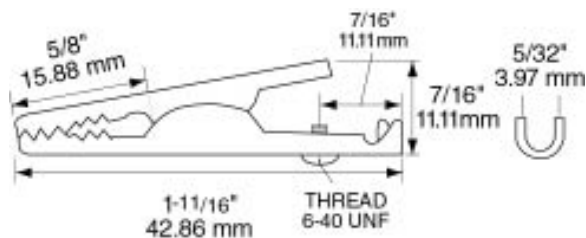
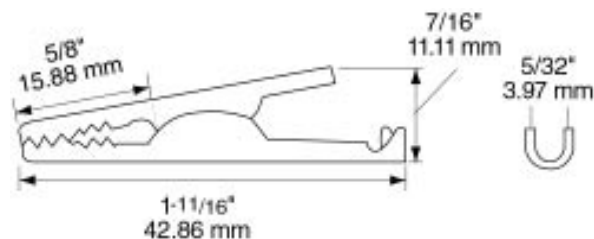
[Enlarge](#)



Enlarge

Alligator Clip with Acetate Handle & Screw - 10 Amp
BU-70 (Steel 5 Amp)
BU-70C (Solid Copper 10 Amp)

- 5/16" (7.9mm) max. jaw opening
- [Product Data Sheet](#)
- [Send us your questions about this product](#)



Alligator Clip with Screw:
BU-70S (Steel 5 Amp)
BU-70CS (Solid Copper 10 Amp)

- Includes a 6-40 Screw
- Crimp or screw connection
- Federal Spec.: Type TCC-1 W-C-440B (BU-70CS)
- [Product Data Sheet](#)
- [Send us your questions about this product](#)



Enlarge

[Insulated BNCs](#) | [Test Leads](#) | [Insulated Test Accessories](#)
[Accessories & Probes](#) | [Kits](#) | [Cross Reference](#)

©2003 Mueller Electric Company. All rights reserved.
 Problems with the site should be reported to the [webmaster](#).