

MICRO SWITCH

FREERPORT ILLINOIS, U.S.A
A DIVISION OF HONEYWELL

FED. MFG. CODE 91929

SWITCH-BASIC

CATALOG LISTING

YE-2RB-A4

CATALOG LISTING
YE-2RB-A4
PAGE 1 OF 1

RELEASE NO. **PR-4534**

REPLACES

DRAWING NUMBER
M

ISSUE
6

REVISIONS

A	CO-58782	WJM	24 JAN 86
B	CO-73287-G	JAL	20 OCT 93
C	CO-77588	TSM	29 MAR 94
D	CO-95750-B	CSL	3 APR 00
E	0000782	JAH	7 JUL 03

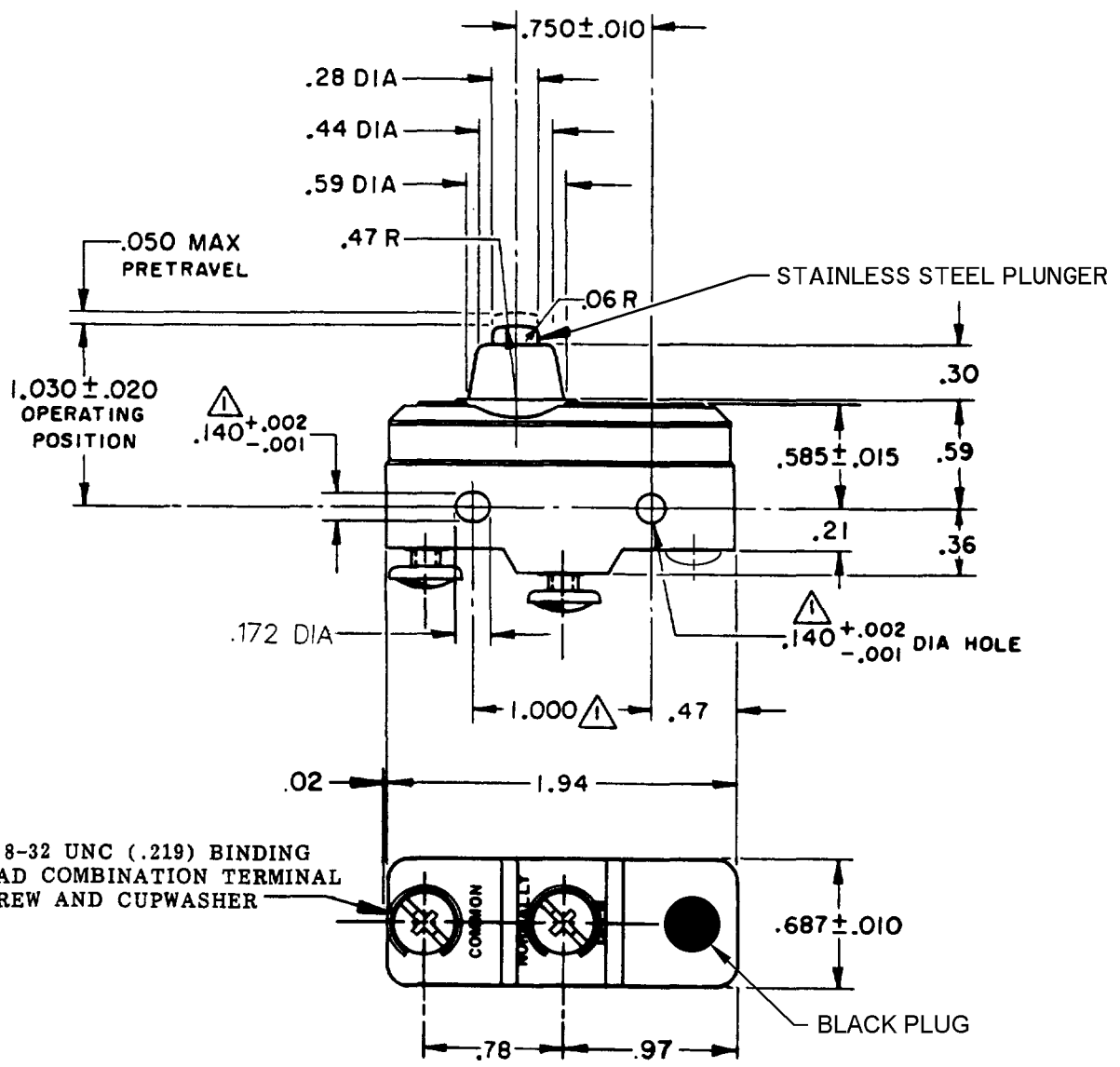
CHECK

29 OCT 74

29 OCT 74

GLH 26 OCT 74

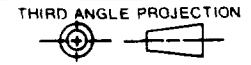
RASTER
FO-52848-A
DRAWN



2X 8-32 UNC (.219) BINDING HEAD COMBINATION TERMINAL SCREW AND CUPWASHER

NOTE
 MOUNTING HOLES WILL ACCEPT PINS OR SCREWS OF .139 MAX DIA ON 1.000 ± .002 CENTERS

THIS DRAWING COVERS A PROPRIETARY ITEM AND IS THE PROPERTY OF MICRO SWITCH, A DIVISION OF HONEYWELL. THIS DRAWING IS NOT TO BE COPIED OR USED WITHOUT THE APPROVAL OF MICRO SWITCH.



CHARACTERISTICS	
OPERATING FORCE	----14-22 OZ
RELEASE FORCE	----10 OZ MIN
DIFFERENTIAL TRAVEL	--.0020-.0075
OVERTRAVEL	----.094 MIN

ELECTRICAL DATA	
CONTACT ARRANGEMENT S P N O	
25A-125 or 250VAC 1HP-125VAC; 2HP-250VAC PILOT DUTY 750VA-125, 250, 277VAC 60/75°C(Cu)	

SCALE FULL				
DO NOT SCALE PRINT				
TOLERANCES				
APPLY TO DESIGN UNITS. CONVERSIONS ARE ONLY FOR REFERENCE. UNLESS NOTED, TOLERANCES ARE 3:				
	DIM. mm	TOL. mm/in	DIM. In	TOL. mm/in
NO PLACES	X	1/64	X	0.07/00
ONE PLACE	X,X	0.4/018	X,X	0.38/015
TWO PLACES	X,XX	0.18/008	X,XX	0.13/005
THREE PLACES	X,XXX		X,XXX	
ANGLES				
DESIGN UNITS	SI METRIC <input type="checkbox"/>		US CUSTOMARY <input checked="" type="checkbox"/>	
WEIGHT .064 LB				