

MICRO SWITCH

FREEPORT ILLINOIS, U.S.A
A DIVISION OF HONEYWELL
FED. MFG. CODE 91929

SWITCH-BASIC

CATALOG LISTING

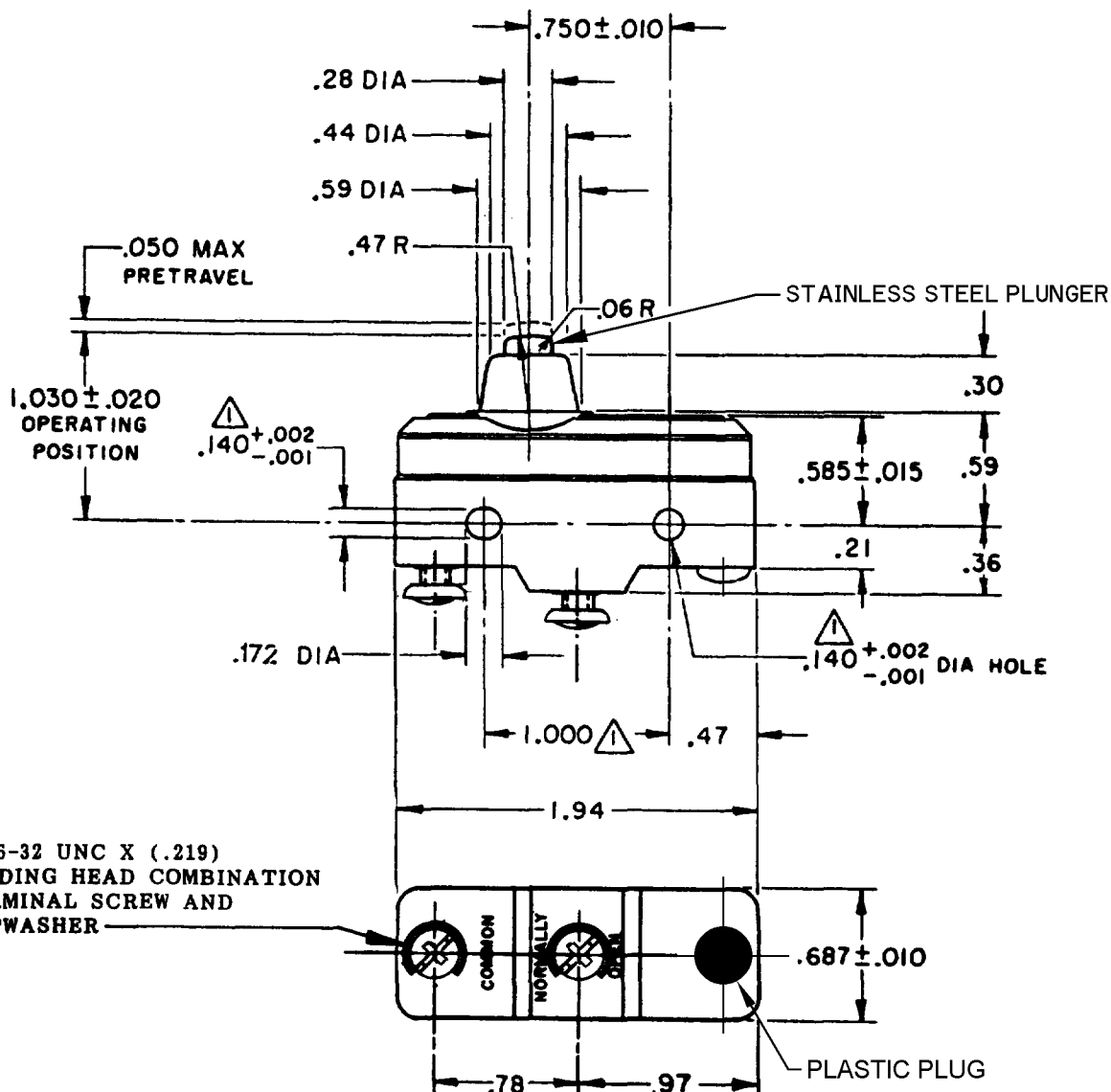
YE-2RB-A2

CATALOG LISTING
YE-2RB-A2
PAGE 1 OF 1
REPLACES
RELEASE NO. PR-16265

M
DRAWING NUMBER
ISSUE **5**

REVISIONS	
A	CO-73287-J JAL 22 NOV 93
B	CO-77568 KDR 29 MAR 94
C	CO-95750-B CSL 31 MAR 00
D	0000624 JAH 23 JUN 03

CHECK
7 MAR 88
DCS
88
DRAWN
J A P 3 MAR 88
FO-52848-A
RASTER



2X 6-32 UNC X (.219)
BINDING HEAD COMBINATION
TERMINAL SCREW AND
CUPWASHER

NOTE -
▲ MOUNTING HOLES WILL ACCEPT PINS OR SCREWS
OF .139 MAX DIA ON 1.000 ± .002 CENTERS

THIS DRAWING COVERS A PROPRIETARY ITEM AND IS THE PROPERTY OF MICRO SWITCH, A DIVISION OF HONEYWELL. THIS DRAWING IS NOT TO BE COPIED OR USED WITHOUT THE APPROVAL OF MICRO SWITCH.

THIRD ANGLE PROJECTION

CHARACTERISTICS

OPERATING FORCE ----- 14-22 OZ
RELEASE FORCE ----- 10 OZ MIN
DIFFERENTIAL TRAVEL -- .0020-.0075
OVERTRAVEL ----- .094 MIN

ELECTRICAL DATA

CONTACT ARRANGEMENT
S P N O

25A-125 or 250VAC
1HP-125VAC; 2HP-250VAC
PILOT DUTY 750VA-125, 250, 277VAC
60/75°C(Cu)

SCALE FULL

DO NOT SCALE PRINT

TOLERANCES

APPLY TO DIMEN UNITS. CONVERSIONS ARE ONLY FOR REFERENCE. UNLESS NOTED, TOLERANCES ARE ±

	DIM.	TOL.	DIM.	TOL.
	in	mm/in	in	mm/in
NO PLACES	X	1/64	X	0.254
ONE PLACE	X,X	0.07918	X,X	0.2032
TWO PLACES	X,XX	0.15736	X,XX	0.4064
THREE PLACES	X,XXX	0.31472	X,XXX	0.8128

DESIGN UNITS IN METRIC US CUSTOMARY

WEIGHT .064 LB