

CATALOG LISTING  
**YA-2RV54321-D6**

PAGE 1 OF 1

REPLACES

RELEASE NO. PR-24302

**M**

ISSUE

**3**

CHECK

REVISIONS

**A** CO-95964  
CSL  
3 MAR 00

**B** 0017742  
TSG  
09 JAN 06

RJ

CHECK

20 DEC 99

SAV

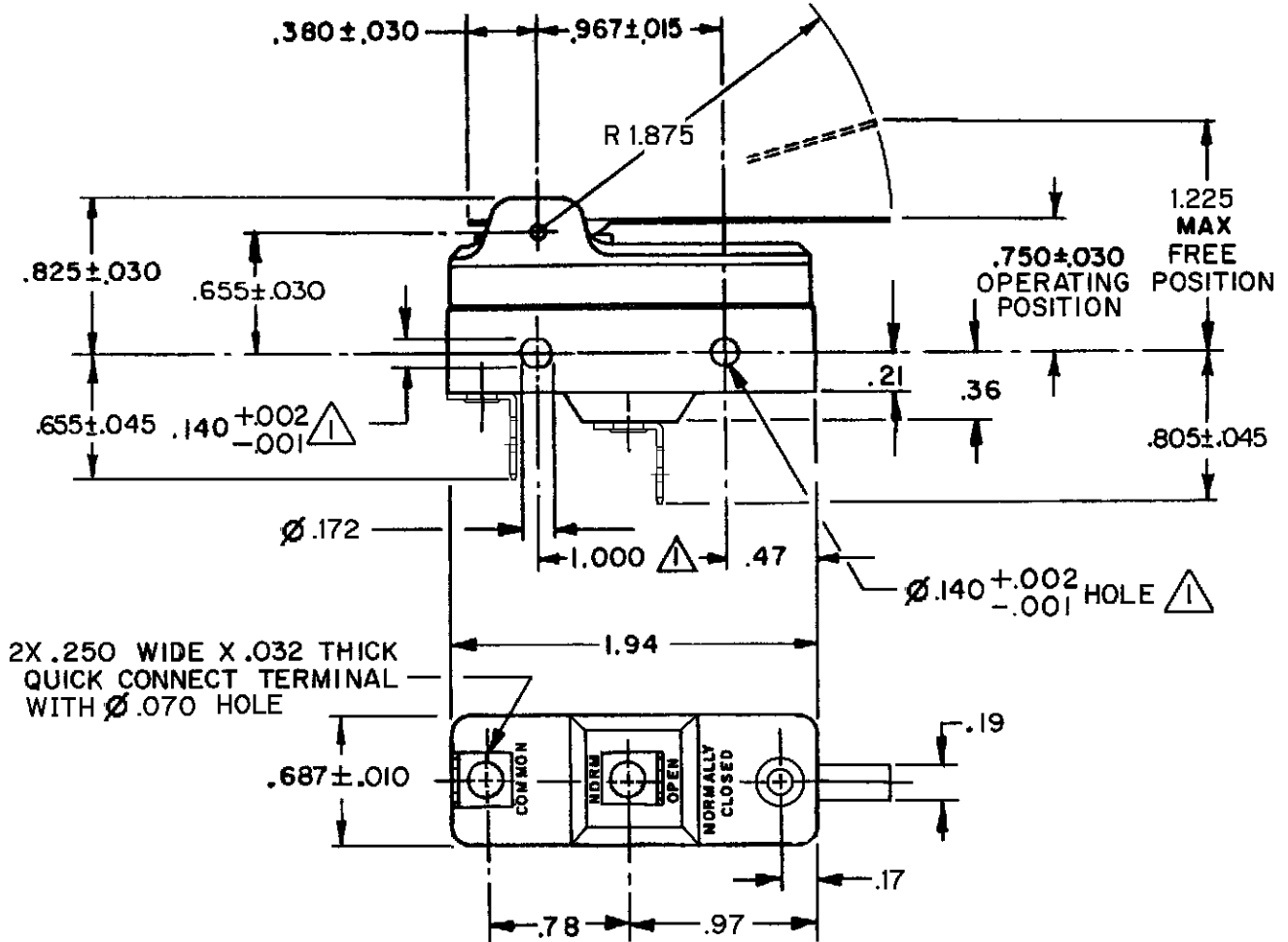
CHECK

20 DEC 99

G J W

FORMTEK

FORMTEK  
DRAWN

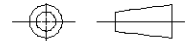


**NOTES**  
 ▴ MOUNTING HOLES WILL ACCEPT PINS OR SCREWS OF  $\varnothing$ .139 MAX ON 1.000  $\pm$ .002 CENTERS

**ANSI Y14.5M-1982 APPLIES**

THIS DRAWING COVERS A PROPRIETARY ITEM AND IS THE PROPERTY OF MICRO SWITCH, A DIVISION OF HONEYWELL. THIS DRAWING IS NOT TO BE COPIED OR USED WITHOUT THE APPROVAL OF MICRO SWITCH.

THIRD ANGLE PROJECTION



CHARACTERISTICS	ELECTRICAL DATA	SCALE FULL	DO NOT SCALE PRINT
OPERATING FORCE ----- 4 OZ MAX	CONTACT ARRANGEMENT <b>S P N O</b>	<b>UNLESS OTHERWISE SPECIFIED TOLERANCES ARE</b>	
RELEASE FORCE ----- 1/2 OZ MIN		ONE PLACE (.) $\pm$ .030	
PRETRAVEL ----- .450 MAX	L225 20A 125, 250 OR 277 VAC 1HP 125 VAC, 2HP 250 VAC	TWO PLACE (.00) $\pm$ .015	
DIFFERENTIAL TRAVEL ----- .080 MAX	L288	THREE PLACE (.000) $\pm$ .005	
OVERTRAVEL ----- .047 MIN		ANGLES $\pm$	
	20(3)A 250V $\sphericalangle$ T85 5E4	WEIGHT	