

CATALOG LISTING
WA-1RX12-A4

ISSUE
M
13

REVISIONS
A CO-84023
K D R
14 FEB 97
B C093346
DLT
23 SEP 98

FORMTEK
DRAWN
K D R
14 FEB 97

REPLACES

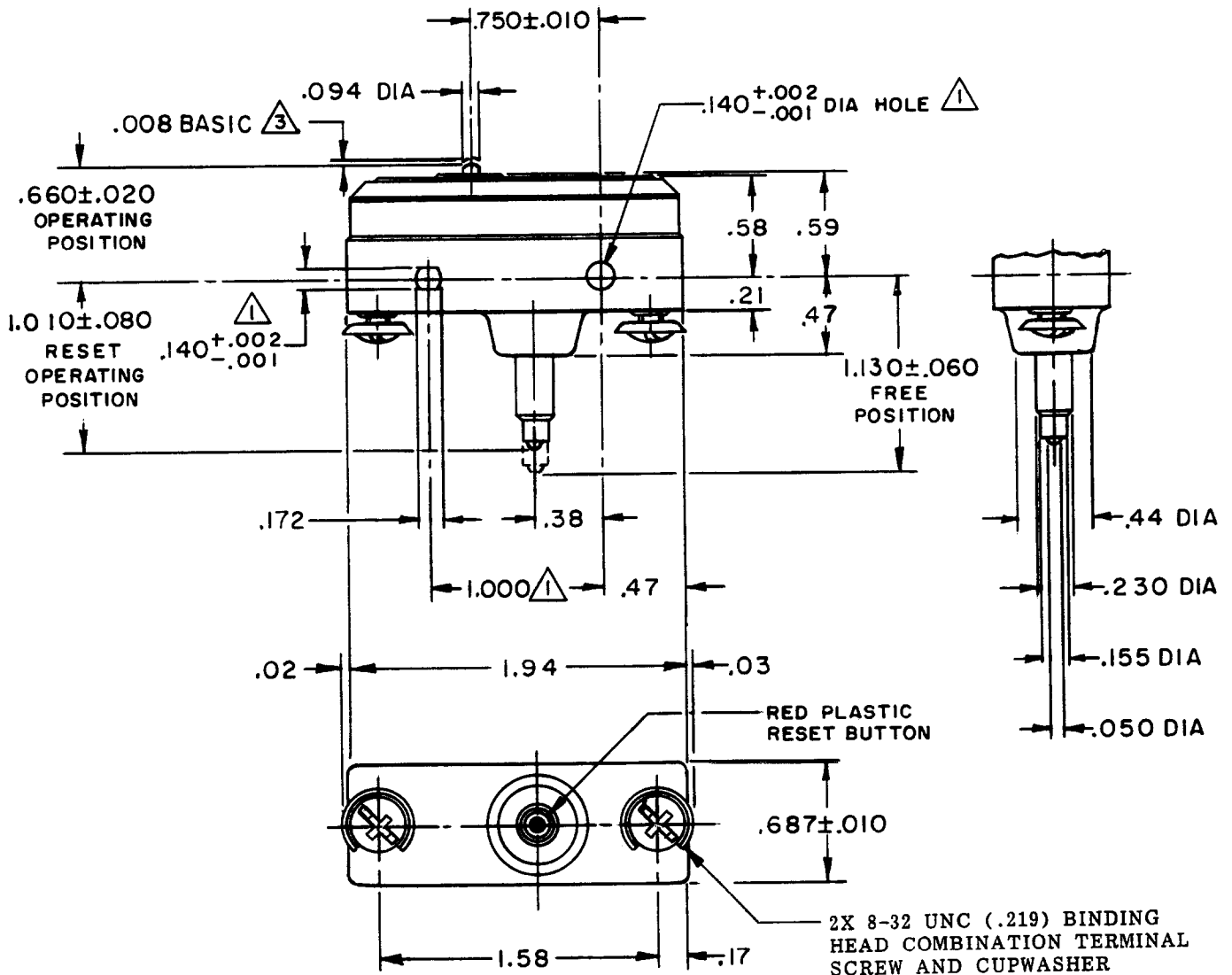
SR-11810

RELEASE NO.

CHECK

CHECK

CHECK

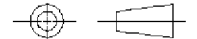


NOTES

- (1) MOUNTING HOLES WILL ACCEPT PINS OR SCREWS OF $.139$ MAX DIA ON $1.000 \pm .002$ CENTERS
- 2 - SWITCH WILL NOT RECYCLE OR ACT AS A MOMENTARY ACTION SWITCH IF PIN PLUNGER IS RELEASED WHEN RESET PLUNGER IS CONTINUALLY DEPRESSED
- (3) SWITCH MUST BE CAPABLE OF BEING RESET WHEN PIN PLUNGER IS RELEASED $.008$ BASIC FROM OPERATING POSITION

THIS DRAWING COVERS A PROPRIETARY ITEM AND IS THE PROPERTY OF MICRO SWITCH, A DIVISION OF HONEYWELL. THIS DRAWING IS NOT TO BE COPIED OR USED WITHOUT THE APPROVAL OF MICRO SWITCH.

THIRD ANGLE PROJECTION



CHARACTERISTICS

OPERATING FORCE - - - - - 4-16 OZ
OVERTRAVEL - - - - - .010 MIN

RESET CHARACTERISTICS

OPERATING FORCE - - - - - 32 OZ MAX
OVERTRAVEL - - - - - .040 MIN

ELECTRICAL DATA

CONTACT ARRANGEMENT
SINGLE POLE NORM CLOSED MAINTAINED CONTACT

L178
20A 125, 250, 277 VAC
3/4HP 125 VAC, 1 1/2HP 250 VAC

L288
L299
L308
20(3)A 250V \sim T85 5E4

SCALE FULL

DO NOT SCALE PRINT

UNLESS OTHERWISE SPECIFIED TOLERANCES ARE

ONE PLACE (.0)	$\pm .030$
TWO PLACE (.00)	$\pm .015$
THREE PLACE (.000)	$\pm .005$
ANGLES	\pm
WEIGHT	