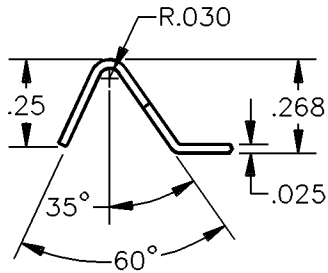


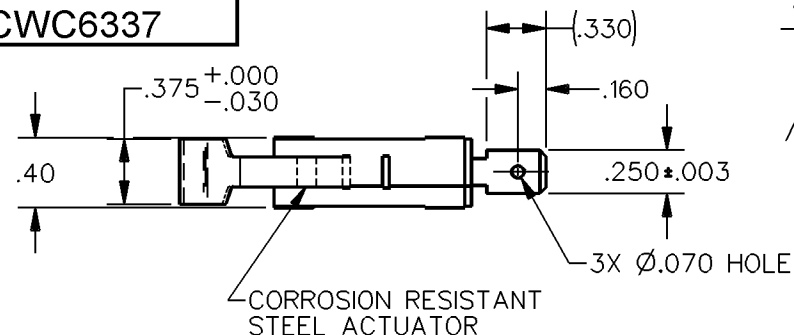
HONEYWELL  
PART NUMBER  
**V7-9W1AE9-357**  
**CWC6337**

REPLACES: X115903-V7

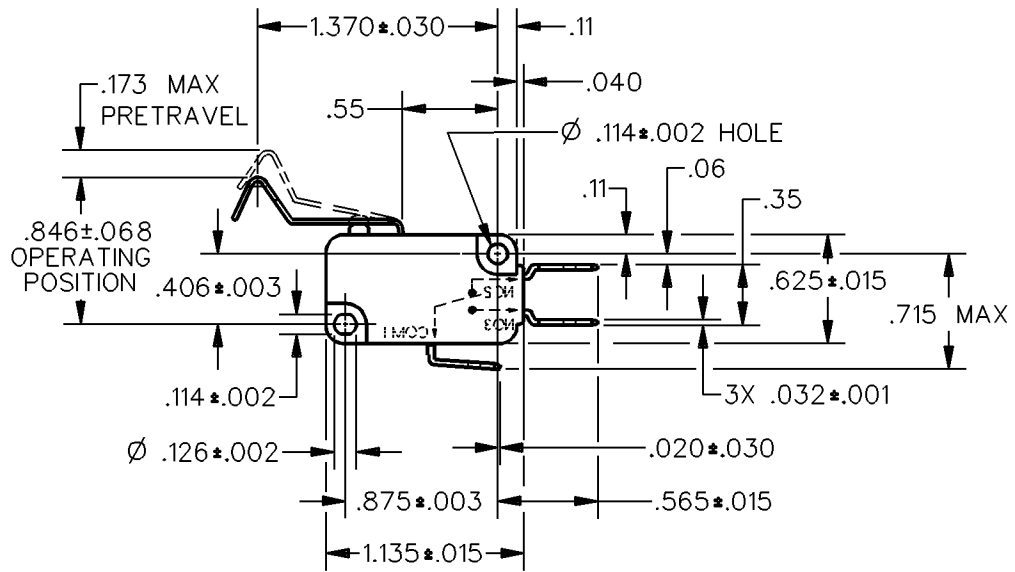
REV	DOCUMENT	CHANGED BY	CHECK
A	0009542	KSR 19NOV04	AK



LEVER DETAIL  
SCALE 2:1



CORROSION RESISTANT  
STEEL ACTUATOR



- NOTES:
1. MAXIMUM MECHANICAL DEAD BREAK OF .0128 MAY BE EXPECTED WITH THIS SWITCH CONSTRUCTION.
  2. SILVER PLATED TERMINALS
  3. SWITCH WILL FUNCTION A MINIMUM OF 1000 ACTUATIONS AT RATED LOAD WHILE EXPOSED TO A 350 F ENVIRONMENT FOR 600 HOURS

CHARACTERISTICS	ELECTRICAL DATA
OPERATING FORCE --- 110 GRAMS MAX	CONTACT ARRANGEMENT S P D T
RELEASE FORCE --- 6 GRAMS MIN	L264
DIFFERENTIAL TRAVEL --- .040 MAX	15.1A 125, <u>250</u> , 277 VAC
OVERTRAVEL --- .094 MIN	
RELEASE TRAVEL --- .024 MIN	



DESIGN UNITS: INCH  
TOLERANCES UNLESS NOTED:

NO PLACE	X	±	0.040
ONE PLACE	.X	±	0.030
TWO PLACE	.XX	±	0.015
THREE PLACE	.XXX	±	0.005
FOUR PLACE	.XXXX	±	0.0005
ANGLES		±	2

THIRD ANGLE PROJECTION

DRAWN	KSR	19NOV04
CHECK	AK	19NOV04

THIS DRAWING COVERS A PROPRIETARY ITEM AND IS THE PROPERTY OF HONEYWELL. THIS DRAWING IS NOT TO BE COPIED OR USED WITHOUT THE PERMISSION OF HONEYWELL.

INTERPRET PER ANSI Y14.5M-1982 OTHER HONEYWELL ENGINEERING STANDARDS MAY APPLY

RASTER

**Honeywell**

TITLE: **SWITCH BASIC**

SIZE	TYPE	DRAWING NAME	REV
<b>A</b>	<b>I</b>	<b>V7 - 9W1AE9 - 357</b>	<b>A</b>

SCALE 1:1 SHEET 1 OF 1