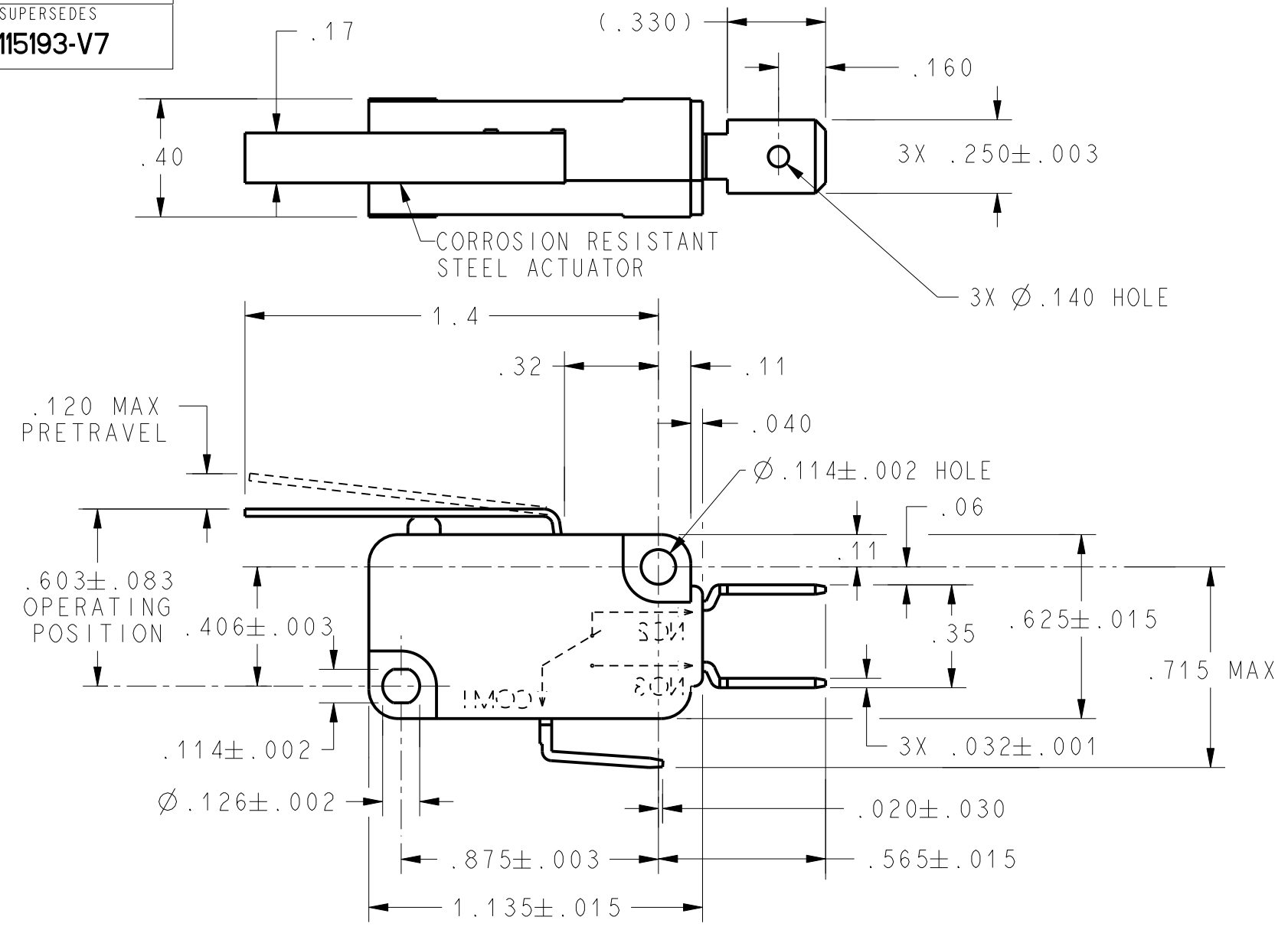


**CW-C6338**  
 SUPERSEDES  
**X115193-V7**

REV	DOCUMENT	CHANGED BY	CHECK
A	0001767	CSL 16 OCT 03	SAV



- NOTES
- 1 - MAXIMUM MECHANICAL DEAD BREAK OF .0135 CAN BE EXPECTED WITH THIS SWITCH CONSTRUCTION
  - 2 - SILVER PLATED TERMINALS
  - 3 - SWITCH WILL FUNCTION A MINIMUM OF 1000 ACTUATIONS AT RATED LOAD WHILE EXPOSED TO A 350°F ENVIRONMENT FOR 600 HOURS

CHARACTERISTICS	
OPERATING FORCE	---- 162 GRAMS MAX
RELEASE FORCE	----- 8 GRAMS MIN
DIFFERENTIAL TRAVEL	----- .028 MAX
OVERTRAVEL	----- .071 MIN
RELEASE TRAVEL	----- .017 MIN

ELECTRICAL DATA	
CONTACT ARRANGEMENT S P D T	
L264 15.1A 125, 250, 277 VAC	

UNLESS OTHERWISE SPECIFIED TOLERANCES ARE:			
	<input checked="" type="checkbox"/> US (inch) CUSTOMARY	<input type="checkbox"/> SI (mm) METRIC	
NO PLACE	X	±.040	±1
ONE PLACE	.X	±.030	±0,4
TWO PLACE	.XX	±.015	±0,15
THREE PLACE	.XXX	±.005	±
ANGLES		±	±
RAW MATERIAL-COMMERCIAL STANDARD			
THIRD ANGLE PROJECTION			

DRAWN	C S L	16 OCT 03
CHECK	S A V	16 OCT 03
THIS DRAWING COVERS A PROPRIETARY ITEM AND IS THE PROPERTY OF HONEYWELL. THIS DRAWING IS NOT TO BE COPIED OR USED WITHOUT THE PERMISSION OF HONEYWELL.		
SIZE	DWG TYPE	DRAWING NAME
<b>B</b>	<b>I</b>	<b>V7-9W1AE9-022</b>
PTC 2D	ASME Y14.5M-1994	

<b>Honeywell</b>			
TITLE <b>SWITCH, BASIC</b>			
SCALE	2:1	WEIGHT	SHEET 1 OF 1