

MICRO SWITCH
a Honeywell Division

FED. MFG. CODE 91 929

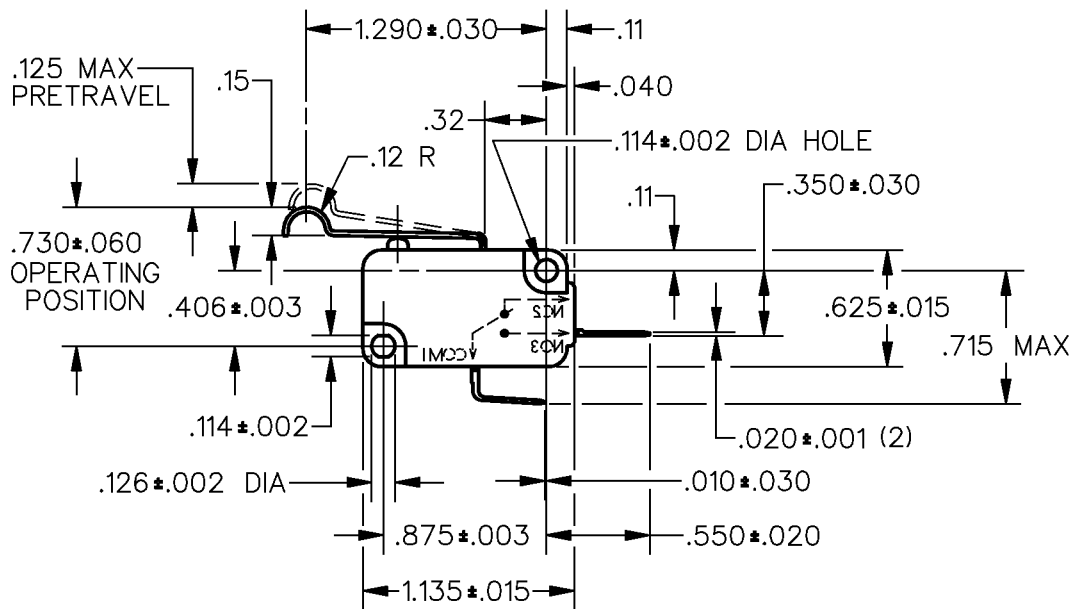
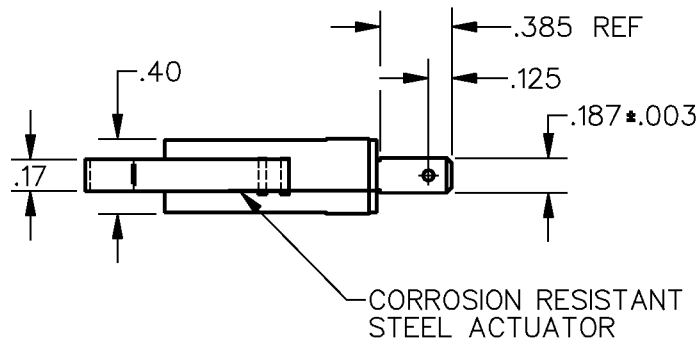
SWITCH-BASIC

CATALOG LISTING

V7-7H25D8-263-1

CW-C6220

CATALOG LISTING
V7-7H25D8-263-1
REPLACES
RELEASE NO. PR-16571
ISSUE
M
9



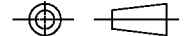
- NOTES
 1 - SERRATED STATIONARY CONTACTS
 2 - MARK CATALOG LISTING AND DATE CODE ONLY ON SWITCH
 3 - SILVER PLATED TERMINALS

REVISIONS

A	CORR	WJM	20 MAY 88
B	CORR	WJM	10 JUN 88
C	PR-16571	KAG	16 JUL 88
D	C066350	JAP	22 SEP 89
E	CO-69205	CO-	69205
F	CO-78215	BAB	7 JAN 91
G	CO-78584	LJF	11 NOV 93
H	CO-84318	DCS	29 JUN 94
		DCS	2 APR 97

THIS DRAWING COVERS A PROPRIETARY ITEM AND IS THE PROPERTY OF MICRO SWITCH, A DIVISION OF HONEYWELL. THIS DRAWING IS NOT TO BE COPIED OR USED WITHOUT THE APPROVAL OF MICRO SWITCH.

THIRD ANGLE PROJECTION



CHARACTERISTICS	ELECTRICAL DATA	SCALE FULL	DO NOT SCALE PRINT
OPERATING FORCE — — — — 4 OZ MAX	CONTACT ARRANGEMENT S P N O	UNLESS OTHERWISE SPECIFIED TOLERANCES ARE	
RELEASE FORCE — — — — 1/2 OZ MIN		ONE PLACE (.0)	± .030
RELEASE TRAVEL — — — — .015 MIN		TWO PLACE (.00)	± .015
DIFFERENTIAL TRAVEL — — .050 MAX		THREE PLACE (.000)	± .005
OVERTRAVEL — — — — .080 MIN		ANGLES	±
		WEIGHT	

DDM/CAD
DRAWN

WJM 17 MAY 88 CHECK
JAP 17 MAY 88 CHECK