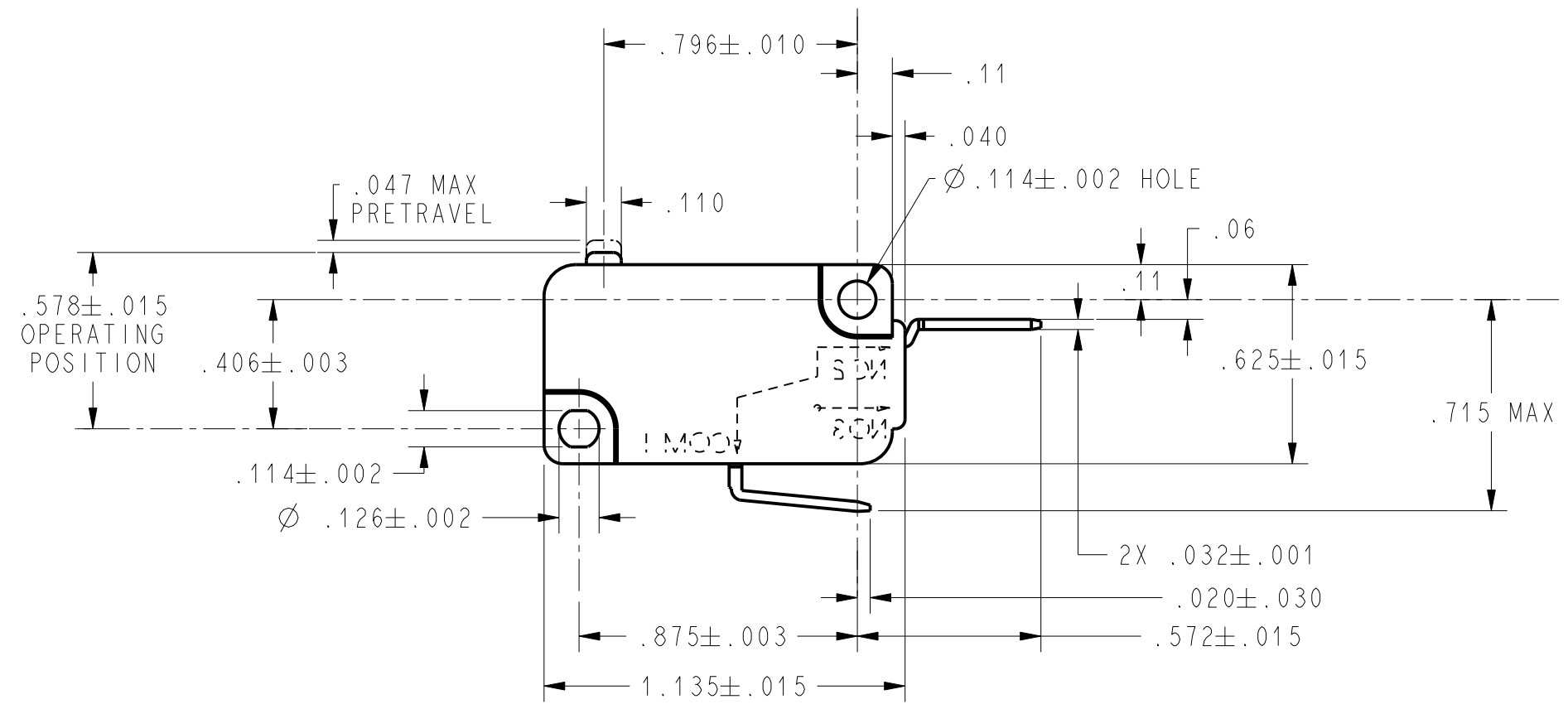
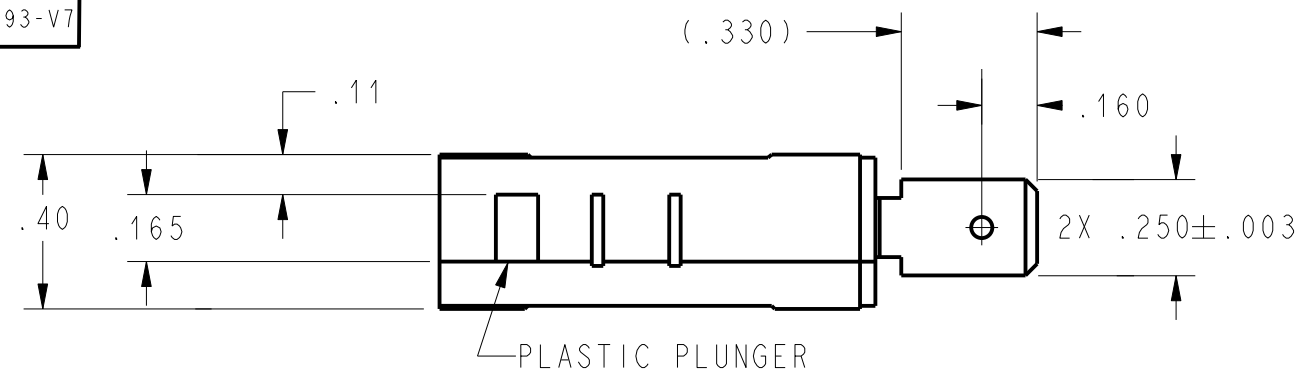


**CWC6153**  
 SUPERSEDES: X115493-V7

REV	DOCUMENT	CHANGED BY	CHECK
A	0005059	KR 26APR 04	AK



CHARACTERISTICS	
OPERATING FORCE-----	8 OZ MAX
RELEASE FORCE-----	2 OZ MIN
DIFFERENTIAL TRAVEL-----	.006~.016
OVERTRAVEL-----	.050 MIN
FREE POSITION-----	.625 MAX
RELEASE TRAVEL-----	.010 MIN

ELECTRICAL DATA	
CONTACT ARRANGEMENT S P N C	
L156 11A 1/3HP 125, 250 OR 277 VAC 1/2A 125 VDC, 1/4A 250 VDC 4A 125 VAC "L"	

UNLESS OTHERWISE SPECIFIED TOLERANCES ARE:			
	<input checked="" type="checkbox"/> US (inch) CUSTOMARY	<input type="checkbox"/> SI (mm) METRIC	
NO PLACE	X	±.040	±1
ONE PLACE	.X	±.030	±0,4
TWO PLACE	.XX	±.015	±0,15
THREE PLACE	.XXX	±.005	±
ANGLES		± 5°	±
RAW MATERIAL-COMMERCIAL STANDARD			
THIRD ANGLE PROJECTION			

DRAWN	KR	26 APR 04
CHECK	AK	26 APR 04
THIS DRAWING COVERS A PROPRIETARY ITEM AND IS THE PROPERTY OF HONEYWELL. THIS DRAWING IS NOT TO BE COPIED OR USED WITHOUT THE PERMISSION OF HONEYWELL.		
DIMENSIONS ARE TO BE MET BEFORE PROTECTIVE COATINGS ARE APPLIED		
PTC	ASME Y14.5M-1994	

<b>Honeywell</b>			
TITLE <b>SWITCH, BASIC</b>			
SIZE	DWG TYPE	DRAWING NAME	REV
<b>B</b>	<b>I</b>	<b>V7-7B37E9-000-1</b>	<b>A</b>
SCALE	2:1	WEIGHT	SHEET 1 OF 1