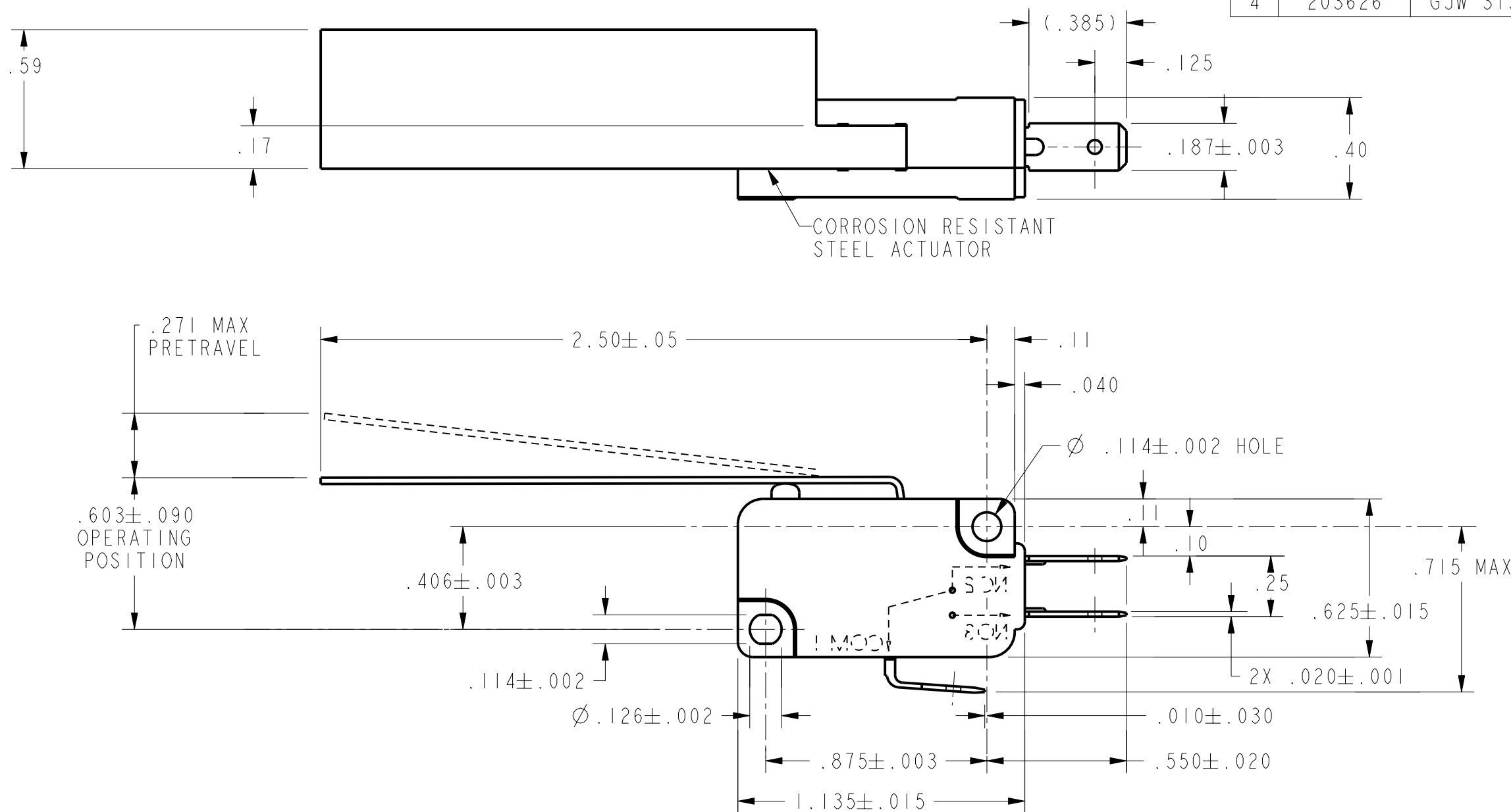


| REV | DOCUMENT | CHANGED BY    | CHECK |
|-----|----------|---------------|-------|
| 2   | 202141   | GJW 15 JAN 01 | SAV   |
| 3   | 203143   | GJW 23 MAY 01 | SAV   |
| 4   | 203626   | GJW 31 JUL 01 | MDM   |



| CHARACTERISTICS          |               |
|--------------------------|---------------|
| OPERATING FORCE-----     | 64 GRAMS MAX  |
| RELEASE FORCE-----       | 8.5 GRAMS MIN |
| DIFFERENTIAL TRAVEL----- | .059 MAX      |
| OVERTRAVEL-----          | .132 MIN      |
| RELEASE TRAVEL-----      | .032 MIN      |

| ELECTRICAL DATA                |   |
|--------------------------------|---|
| CONTACT ARRANGEMENT<br>S P D T |   |
| L156                           | 11A 1/3HP 125, 250 OR 277 VAC<br>1/2A 125 VDC, 1/4A 250 VDC<br>4A 125 VAC "L" |
|                                |   |
|                                |   |

| UNLESS OTHERWISE SPECIFIED TOLERANCES ARE: |   |   |       |
|--|---|---|-------|
|  | <input checked="" type="checkbox"/> US (inch) CUSTOMARY | <input type="checkbox"/> SI (mm) METRIC |       |
| NO PLACE                                   | X   | ±.040                                   | ±1    |
| ONE PLACE                                  | .X  | ±.030                                   | ±0,4  |
| TWO PLACE                                  | .XX   | ±.015                                   | ±0,15 |
| THREE PLACE                                | .XXX  | ±.005                                   | ±     |
| ANGLES                                     |   | ±                                       | ±     |
| RAW MATERIAL-COMMERCIAL STANDARD           |   |   |       |
| THIRD ANGLE PROJECTION                     |   |   |       |
|  |   |   |       |

|  |                  |           |
|--|------------------|-----------|
| DRAWN  | GJW              | 15 JAN 01 |
| CHECK  | SAV              | 15 JAN 01 |
| THIS DRAWING COVERS A PROPRIETARY ITEM AND IS THE PROPERTY OF HONEYWELL SENSING AND CONTROL. THIS DRAWING IS NOT TO BE COPIED OR USED WITHOUT THE PERMISSION OF HONEYWELL. |                  |           |
| DIMENSIONS ARE TO BE MET BEFORE PROTECTIVE COATINGS ARE APPLIED  |                  |           |
| PTC 2D   | ASME Y14.5M-1994 |           |

|                               |          |                      |              |
|-------------------------------|----------|----------------------|--------------|
| <b>Honeywell</b>              |          |                      |              |
| Sensing and Control           |          |                      |              |
| TITLE<br><b>SWITCH, BASIC</b> |          |                      |              |
| SIZE                          | DWG TYPE | DRAWING NAME         | REV          |
| <b>B</b>                      | <b>I</b> | <b>V7-7B19D8-640</b> | <b>4</b>     |
| SCALE                         | NONE     | WEIGHT               | SHEET 1 OF 1 |