

**MICRO SWITCH**  
a Honeywell Division

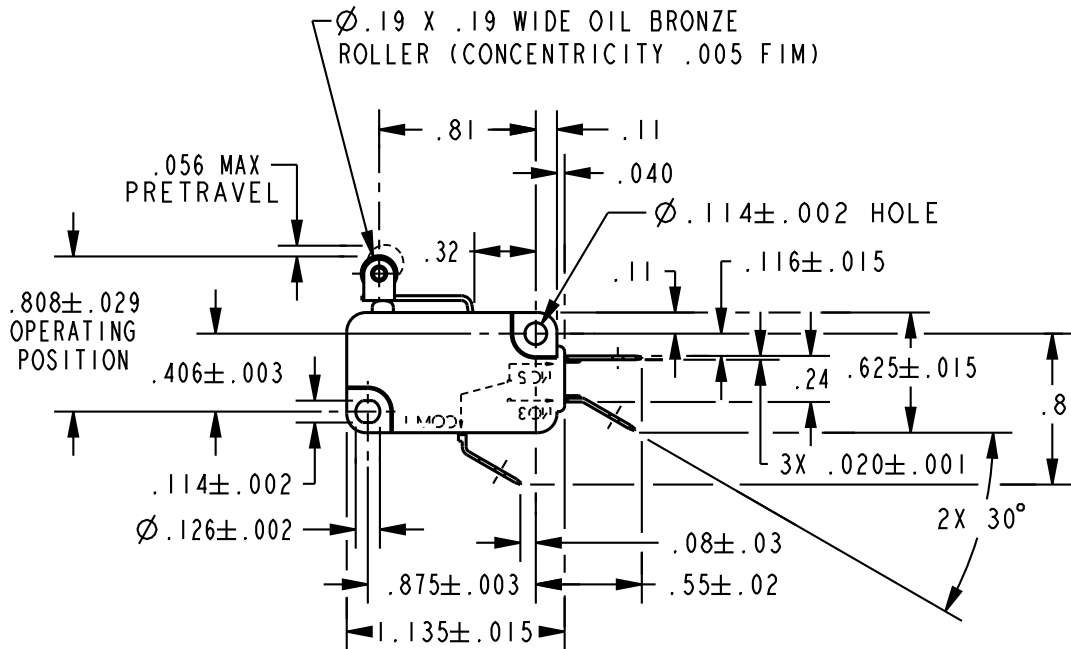
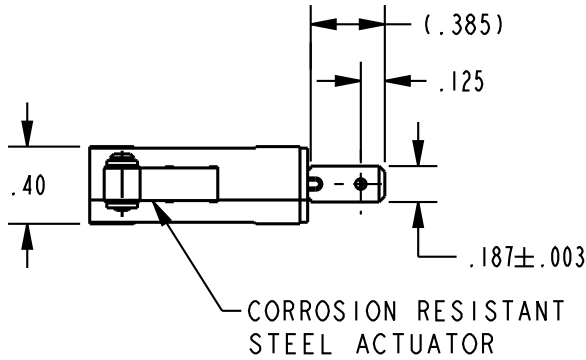
FED. MFG. CODE 91929

**SWITCH - BASIC**

CATALOG LISTING

**V7-7B17D862-201**

**CW-C6144**



CATALOG LISTING  
**V7-7B17D862-201**

PAGE 1 OF 1



ISSUE  
**3**

REVISIONS

A	PR23389	30 JAN 12
	TSM	
	17 APR 98	
B	0085964	17 APR 98
	SBH	
	30 JAN 12	

REPLACES  
X102349-V7

RELEASE NO. PR-23389

CHECK

CMH

CHECK

17 APR 98

JAF

CHECK

7 APR 98

TSM

PTC/CAD 2D

DRAWN

ANSI Y14.5M-1982 APPLIES

THIS DRAWING COVERS A PROPRIETARY ITEM AND IS THE PROPERTY OF MICRO SWITCH, A DIVISION OF HONEYWELL. THIS DRAWING IS NOT TO BE COPIED OR USED WITHOUT THE APPROVAL OF MICRO SWITCH.



CHARACTERISTICS

OPERATING FORCE	-----	10 OZ MAX
RELEASE FORCE	-----	1 OZ MIN
DIFFERENTIAL TRAVEL	-----	.013 MAX
OVERTRAVEL	-----	.034 MIN
RELEASE TRAVEL	-----	.007 MIN

ELECTRICAL DATA

CONTACT ARRANGEMENT  
S P D T

L156 11A 1/3HP 125, 250 OR 277 VAC  
1/2A 125 VDC, 1/4A 250 VDC  
4A 125 VAC "L"

SCALE NONE

DO NOT SCALE PRINT

UNLESS OTHERWISE SPECIFIED TOLERANCES ARE		
ONE PLACE	(.0)	±.030
TWO PLACE	(.00)	±.015
THREE PLACE	(.000)	±.005

ANGLES

±

WEIGHT

