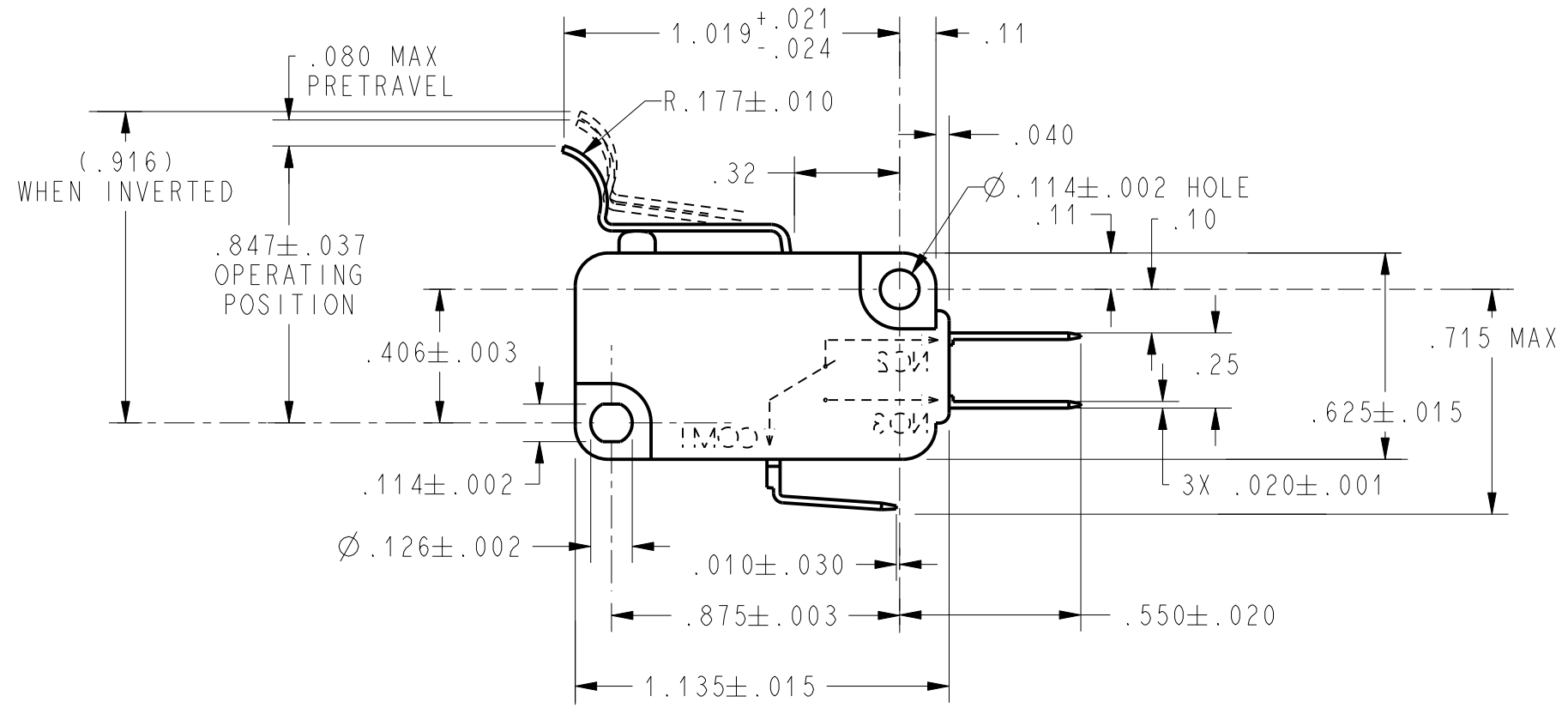
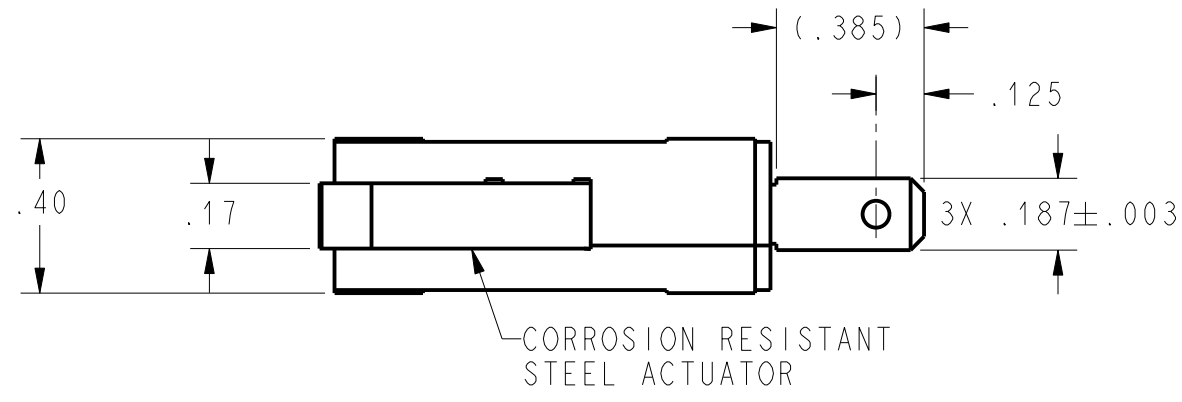



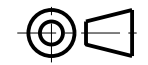


| REV | DOCUMENT | CHANGED BY | CHECK |
|-----|----------|------------|-------|
| A | 0001634 | JAH 30CT03 | SAV |



| CHARACTERISTICS | |
|--------------------------|----------|
| OPERATING FORCE----- | 7 OZ MAX |
| RELEASE FORCE ----- | 1 OZ MIN |
| DIFFERENTIAL TRAVEL----- | .018 MAX |
| OVERTRAVEL----- | .047 MIN |
| RELEASE TRAVEL----- | .011 MIN |

| ELECTRICAL DATA | |
|---|--|
| CONTACT ARRANGEMENT S P N O | |
| L162 5A 125, 250, 277 VAC 1/10HP 250 VAC | |
|   | |
|  | |

| UNLESS OTHERWISE SPECIFIED TOLERANCES ARE: | | | |
|---|---|---|-------|
| | <input checked="" type="checkbox"/> US (inch) CUSTOMARY | <input type="checkbox"/> SI (mm) METRIC | |
| NO PLACE | X | ±.040 | ±1 |
| ONE PLACE | .X | ±.030 | ±0,4 |
| TWO PLACE | .XX | ±.015 | ±0,15 |
| THREE PLACE | .XXX | ±.005 | ± |
| ANGLES | | ± | ± |
| RAW MATERIAL-COMMERCIAL STANDARD | | | |
| THIRD ANGLE PROJECTION | | | |
|  | | | |

| | | |
|--|------------------|--------|
| DRAWN | JAH | 30CT03 |
| CHECK | SAV | 30CT03 |
| THIS DRAWING COVERS A PROPRIETARY ITEM AND IS THE PROPERTY OF HONEYWELL. THIS DRAWING IS NOT TO BE COPIED OR USED WITHOUT THE PERMISSION OF HONEYWELL. | | |
| DIMENSIONS ARE TO BE MET BEFORE PROTECTIVE COATINGS ARE APPLIED | | |
| PTC 2D | ASME Y14.5M-1994 | |

| | | | |
|-------------------------------|----------|----------------------|--------------|
| Honeywell | | | |
| TITLE SWITCH, BASIC | | | |
| SIZE | DWG TYPE | DRAWING NAME | REV |
| B | I | V7-7A19D8-374 | A |
| SCALE | NONE | WEIGHT | SHEET 1 OF 1 |