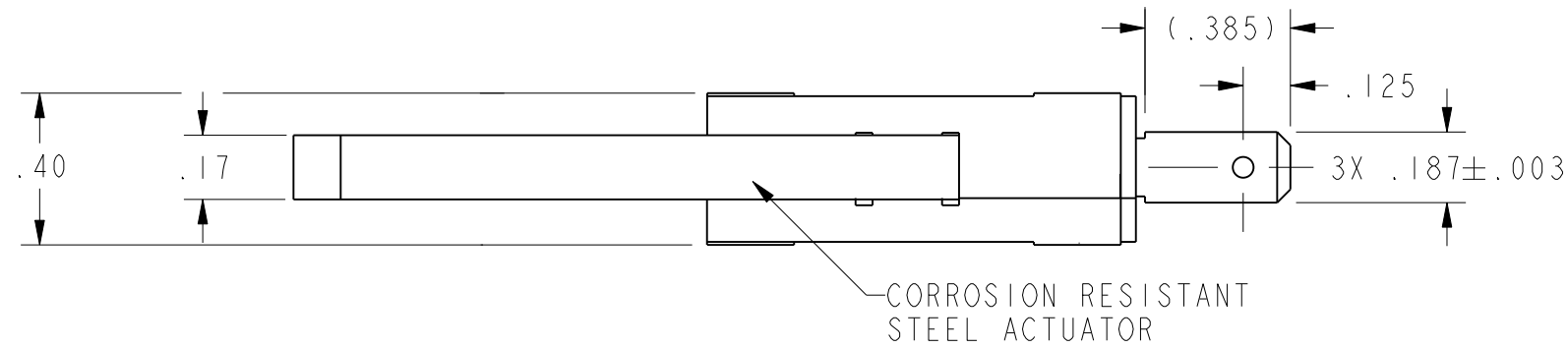
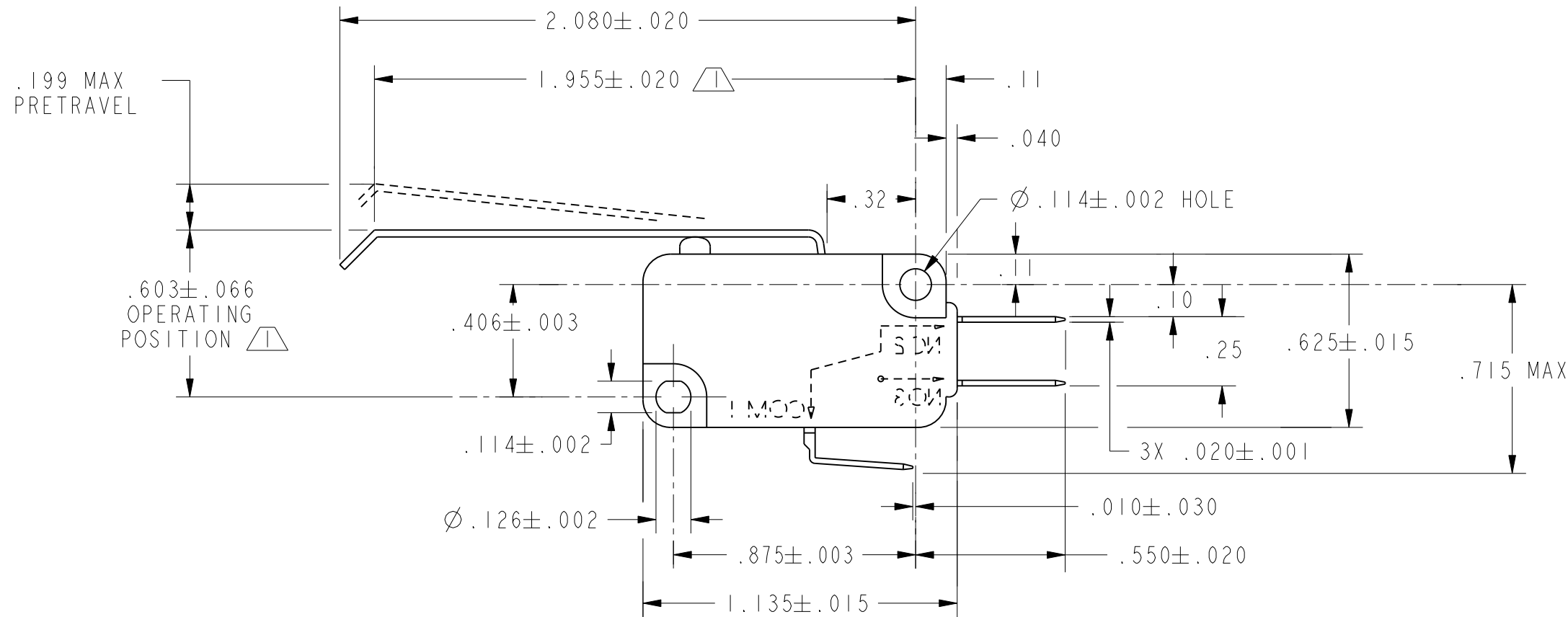



REV	DOCUMENT	CHANGED BY	CHECK
B	0041190	PK IJUL08	ASD

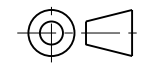


NOTE
 SWITCH CHARACTERISTICS TO BE MEASURED AT BEND IN LEVER



CHARACTERISTICS	
OPERATING FORCE-----	146 GRAMS MAX
RELEASE FORCE -----	24 GRAMS MIN
DIFFERENTIAL TRAVEL -----	.043 MAX
OVERTRAVEL -----	.077 MIN
RELEASE TRAVEL -----	.025 MIN

ELECTRICAL DATA	
CONTACT ARRANGEMENT S P D T	
L215 15.1A 1/2HP 125, 250 OR 277 VAC 1/2A 125 VDC 1/4A 250 VDC; 5A 125 VAC "L"	
	

UNLESS OTHERWISE SPECIFIED TOLERANCES ARE:			
	<input checked="" type="checkbox"/> US (inch) CUSTOMARY	<input type="checkbox"/> SI (mm) METRIC	
NO PLACE	X	±.040	±1
ONE PLACE	.X	±.030	±0,4
TWO PLACE	.XX	±.015	±0,15
THREE PLACE	.XXX	±.005	±
ANGLES		±	±
RAW MATERIAL-COMMERCIAL STANDARD			
THIRD ANGLE PROJECTION			
			

DRAWN	CSL	16 JUN03
CHECK	ASD	16 JUN03
THIS DRAWING COVERS A PROPRIETARY ITEM AND IS THE PROPERTY OF HONEYWELL. THIS DRAWING IS NOT TO BE COPIED OR USED WITHOUT THE PERMISSION OF HONEYWELL.		
DIMENSIONS ARE TO BE MET BEFORE PROTECTIVE COATINGS ARE APPLIED		
PTC 2D	ASME Y14.5M-1994	

Honeywell			
TITLE SWITCH, BASIC			
SIZE	DWG TYPE	DRAWING NAME	REV
B	I	V7-6C17D8-439	B
SCALE	2:1	WEIGHT	SHEET 1 OF 1