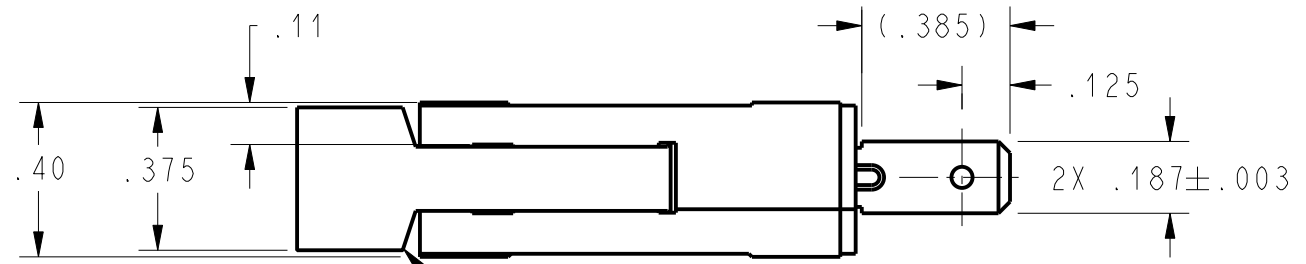
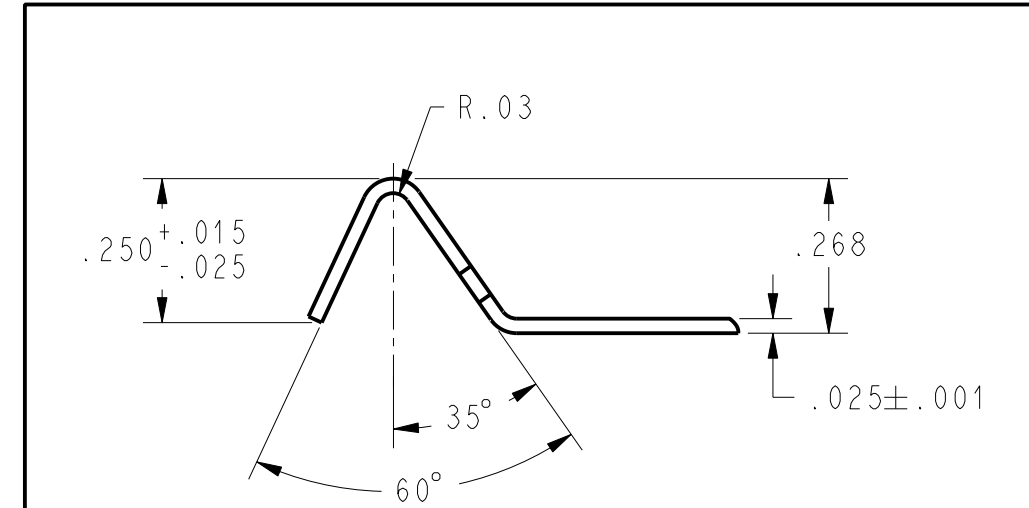
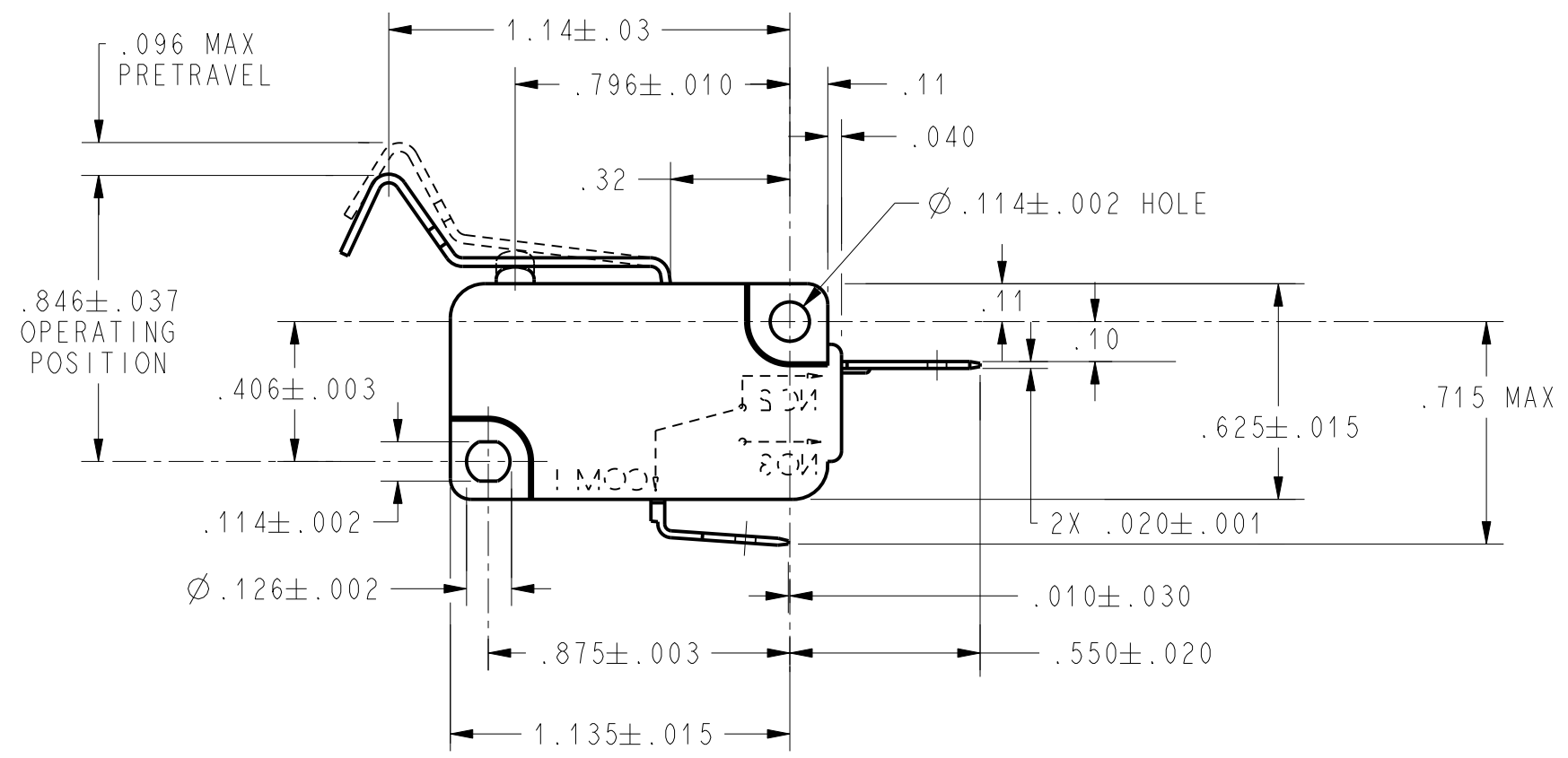


CW-C5977

REV	DOCUMENT	CHANGED BY	CHECK
A	0000251	LJB 22MAY03	SAV
B	0000833	WJC 25JUN03	SAV



CORROSION RESISTANT STEEL ACTUATOR



LEVER DETAIL

CHARACTERISTICS	
OPERATING FORCE-----	10 OZ MAX
RELEASE FORCE-----	1 OZ MIN
DIFFERENTIAL TRAVEL-----	.014-.034
OVERTRAVEL-----	.041 MIN
RELEASE TRAVEL-----	.009 MIN

ELECTRICAL DATA	
CONTACT ARRANGEMENT S P N C	
L156 11A 1/3HP 125, 250 OR 277 VAC 1/2A 125 VDC, 1/4A 250 VDC 4A 125 VAC "L"	

UNLESS OTHERWISE SPECIFIED TOLERANCES ARE:			
	<input checked="" type="checkbox"/> US (inch) CUSTOMARY	<input type="checkbox"/> SI (mm) METRIC	
NO PLACE	X	±.040	±1
ONE PLACE	.X	±.030	±0,4
TWO PLACE	.XX	±.015	±0,15
THREE PLACE	.XXX	±.005	±
ANGLES		± 3°	±
RAW MATERIAL-COMMERCIAL STANDARD			
THIRD ANGLE PROJECTION			

DRAWN	LJB	22MAY03
CHECK	SAV	22MAY03
THIS DRAWING COVERS A PROPRIETARY ITEM AND IS THE PROPERTY OF HONEYWELL. THIS DRAWING IS NOT TO BE COPIED OR USED WITHOUT THE PERMISSION OF HONEYWELL.		
DIMENSIONS ARE TO BE MET BEFORE PROTECTIVE COATINGS ARE APPLIED		
PTC 2D	ASME Y14.5M-1994	

<b>Honeywell</b>			
TITLE <b>SWITCH, BASIC</b>			
SIZE	DWG TYPE	DRAWING NAME	REV
<b>B</b>	<b>I</b>	<b>V7-6B39D8-348-1</b>	<b>B</b>
SCALE	NONE	WEIGHT	SHEET 1 OF 1