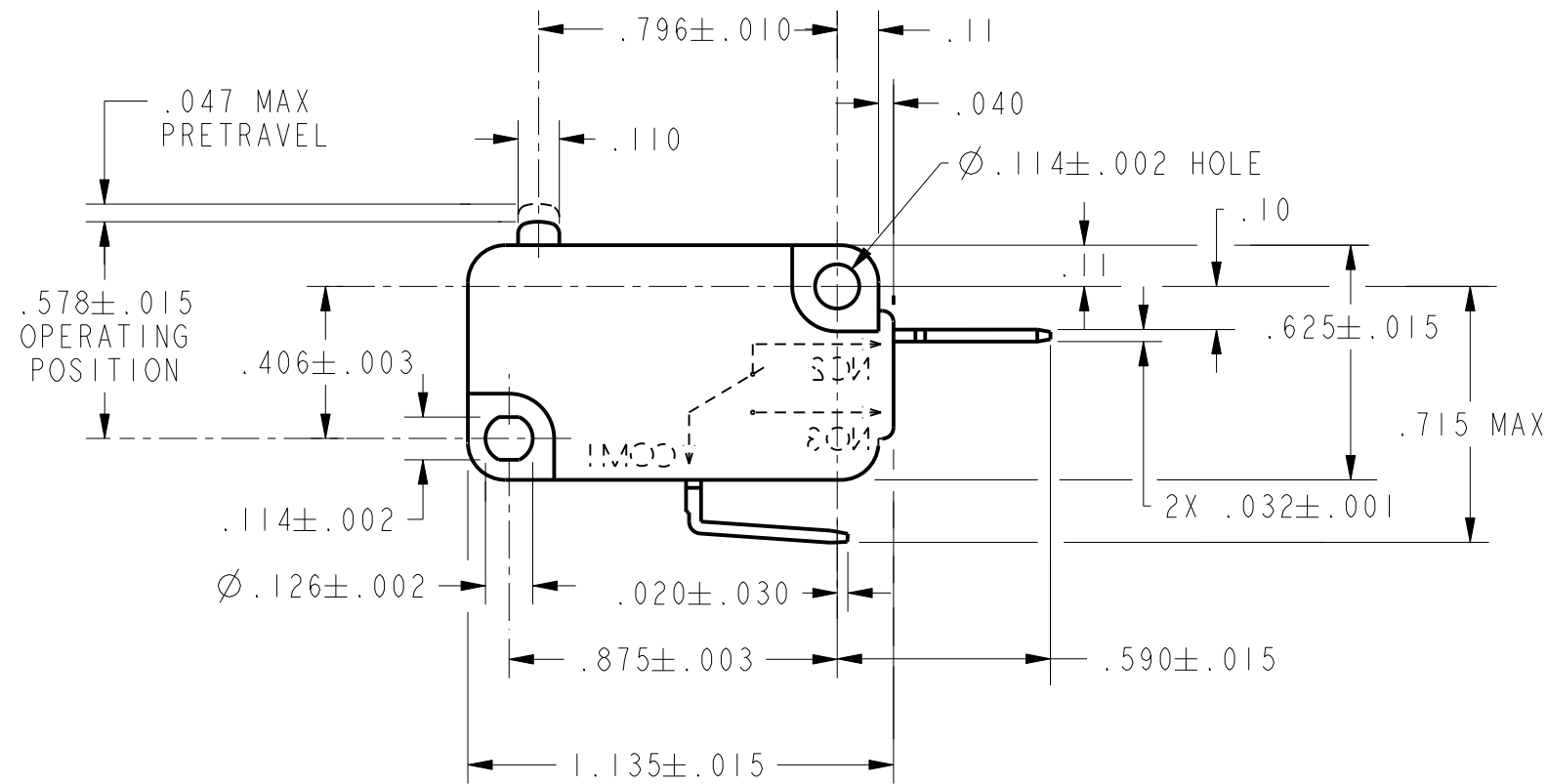
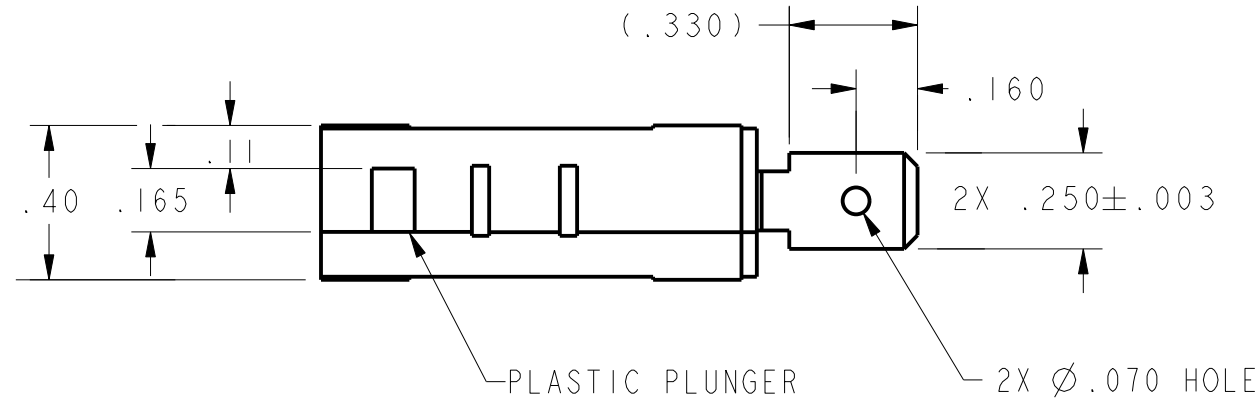


HONEYWELL PART NUMBER
V7-5F37D9-000-1
CWC4999
SUPERCEDES X115632-V7

REV	DOCUMENT	CHANGED BY	CHECK
B	0008239	KSR 28SEP04	AK



CHARACTERISTICS
OPERATING FORCE-----15 GRAMS MAX
DIFFERENTIAL FORCE-----5.2 GRAMS MAX
RELEASE TRAVEL-----.010 MIN
DIFFERENTIAL TRAVEL-----.006 MAX
OVERTRAVEL-----.050 MIN
FREE POSITION-----.625 MAX

ELECTRICAL DATA
CONTACT ARRANGEMENT S P N C
L163 3A 125, 250, 277 VAC 1/10HP 250 VAC

DESIGN UNITS: INCH
TOLERANCES UNLESS NOTED:
NO PLACE X ± 0.040
ONE PLACE .X ± 0.030
TWO PLACE .XX ± 0.015
THREE PLACE .XXX ± 0.005
FOUR PLACE .XXXX ±
ANGLES X ±
THIRD ANGLE PROJECTION

DRAWN	KR	24AUG04
CHECK	AK	24AUG04
THIS DRAWING COVERS A PROPRIETARY ITEM AND IS THE PROPERTY OF HONEYWELL. THIS DRAWING IS NOT TO BE COPIED OR USED WITHOUT THE PERMISSION OF HONEYWELL.		
INTERPRET PER ASME Y14.5M-1994 OTHER HONEYWELL ENGINEERING STANDARDS MAY APPLY		
Pro/ENGINEER	2D	

Honeywell			
TITLE SWITCH, BASIC			
SIZE B	TYPE I	DRAWING NAME V7-5F37D9-000-1	REV B
SCALE 2:1	SHEET 1 OF 1		