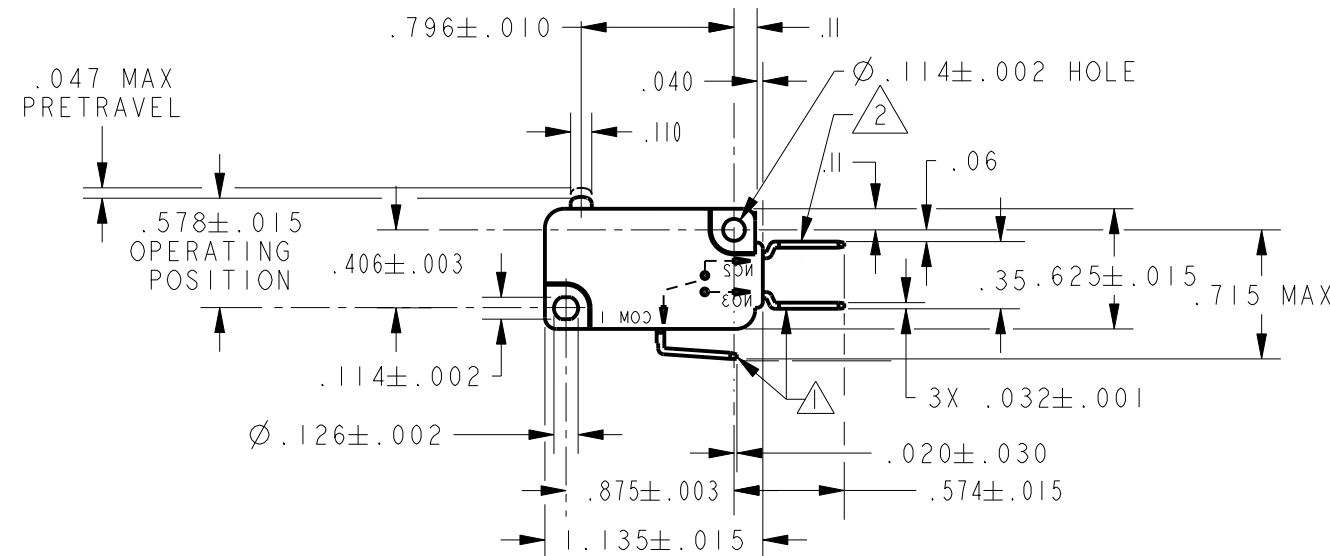
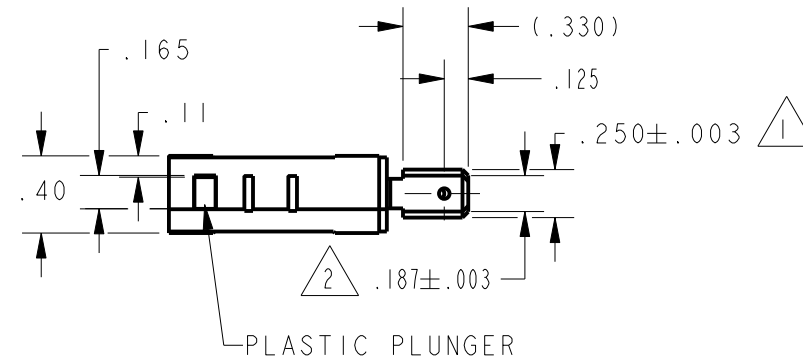


HONEYWELL
PART NUMBER

V7-4A17E9B4-000-1

CWC4006

REV	DOCUMENT	CHANGED BY	CHECK
B	0010014	NSD 09DEC04	AK



NOTES

- 1 NO AND COMMON TERMINALS "E9" STYLE
- 2 NC TERMINAL "E7" STYLE

REPLACES : X115901-V7

CHARACTERISTICS	ELECTRICAL DATA
OPERATING FORCE ---- 5-17 GRAMS MAX	CONTACT ARRANGEMENT S P D T
DIFFERENTIAL FORCE --- 5.2 GRAMS MAX	5A 125, 250, 277 VAC 1/10 HP 250 VAC L162
DIFFERENTIAL TRAVEL----- .006 MAX	
OVERTRAVEL ----- .050 MIN	
FREE POSITION ----- .625 MAX	
RELEASE TRAVEL----- .010 MIN	

DESIGN UNITS: INCH	
TOLERANCES UNLESS NOTED:	
NO PLACE	X ± 0.040
ONE PLACE	.X ± 0.030
TWO PLACE	.XX ± 0.015
THREE PLACE	.XXX ± 0.005
FOUR PLACE	.XXXX ± 0.0001
ANGLES	X ± 0
THIRD ANGLE PROJECTION	

DRAWN	AS	17NOV04
CHECK	AK	17NOV04
THIS DRAWING COVERS A PROPRIETARY ITEM AND IS THE PROPERTY OF HONEYWELL. THIS DRAWING IS NOT TO BE COPIED OR USED WITHOUT THE PERMISSION OF HONEYWELL.		
INTERPRET PER ASME Y14.5M-1994 OTHER HONEYWELL ENGINEERING STANDARDS MAY APPLY		
Pro/ENGINEER	2D	

Honeywell			
TITLE SWITCH-BASIC			
SIZE	TYPE	DRAWING NAME	REV
B	I	V7-4A17E9B4-000-1	B
SCALE	-	SHEET	1 OF 1