

CATALOG LISTING  
V7-3S17D8-148  
PAGE 1 OF 1

ISSUE  
**M**  
3

REPLACES  
RELEASE NO. PR-24225

CHECK

CHECK

CHECK

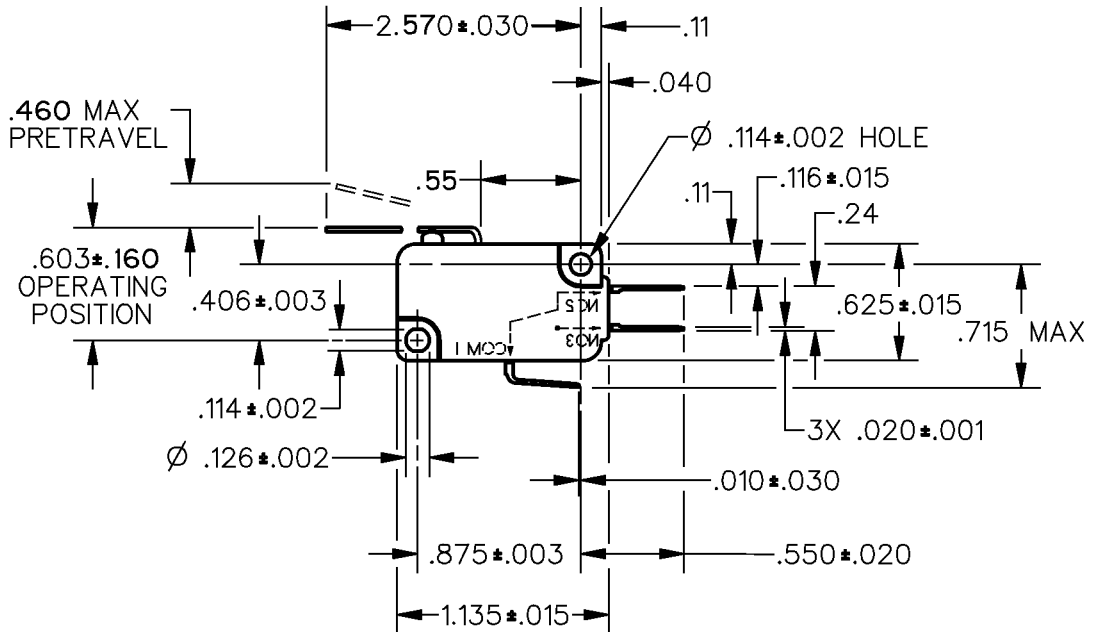
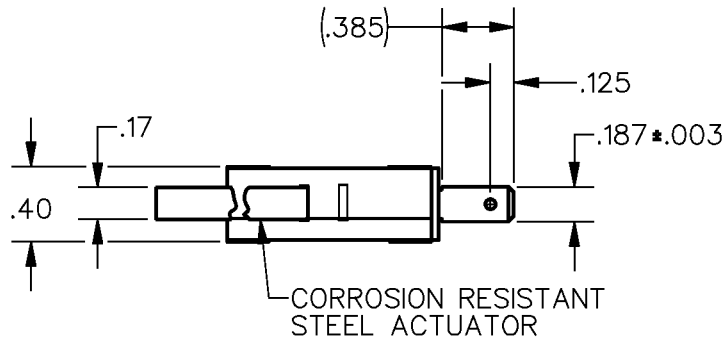
25MAY99

J A F

CHECK

25MAY99

REVISIONS	
A	PR REL 24225 J J A 27 AUG 99
B	CO-95607 DLT 4 NOV 99



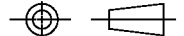
**NOTES**

- 1 - IN INSPECTION, DO NOT BURN OUT - GOLD CONTACTS
- 2 - IN INSPECTION, DO NOT EXCEED 10 VDC, .1A RESISTIVE LOAD

ANSI Y14.5M-1982 APPLIES

THIS DRAWING COVERS A PROPRIETARY ITEM AND IS THE PROPERTY OF MICRO SWITCH, A DIVISION OF HONEYWELL. THIS DRAWING IS NOT TO BE COPIED OR USED WITHOUT THE APPROVAL OF MICRO SWITCH.

THIRD ANGLE PROJECTION



CHARACTERISTICS	ELECTRICAL DATA	SCALE FULL	DO NOT SCALE PRINT
		CONTACT ARRANGEMENT S P D T	
OPERATING FORCE ——— 8 GRAMS MAX	L142      0.1A 125 VAC	ONE PLACE ( .0 )	± .030
RELEASE FORCE ——— 1/2 GRAM MIN		TWO PLACE ( .00 )	± .015
DIFFERENTIAL TRAVEL ——— .103 MAX		THREE PLACE ( .000 )	± .005
RELEASE TRAVEL ——— .057 MIN		ANGLES	±
OVERTRAVEL ——— .206 MIN		WEIGHT	



FORMTEK

DRAWN