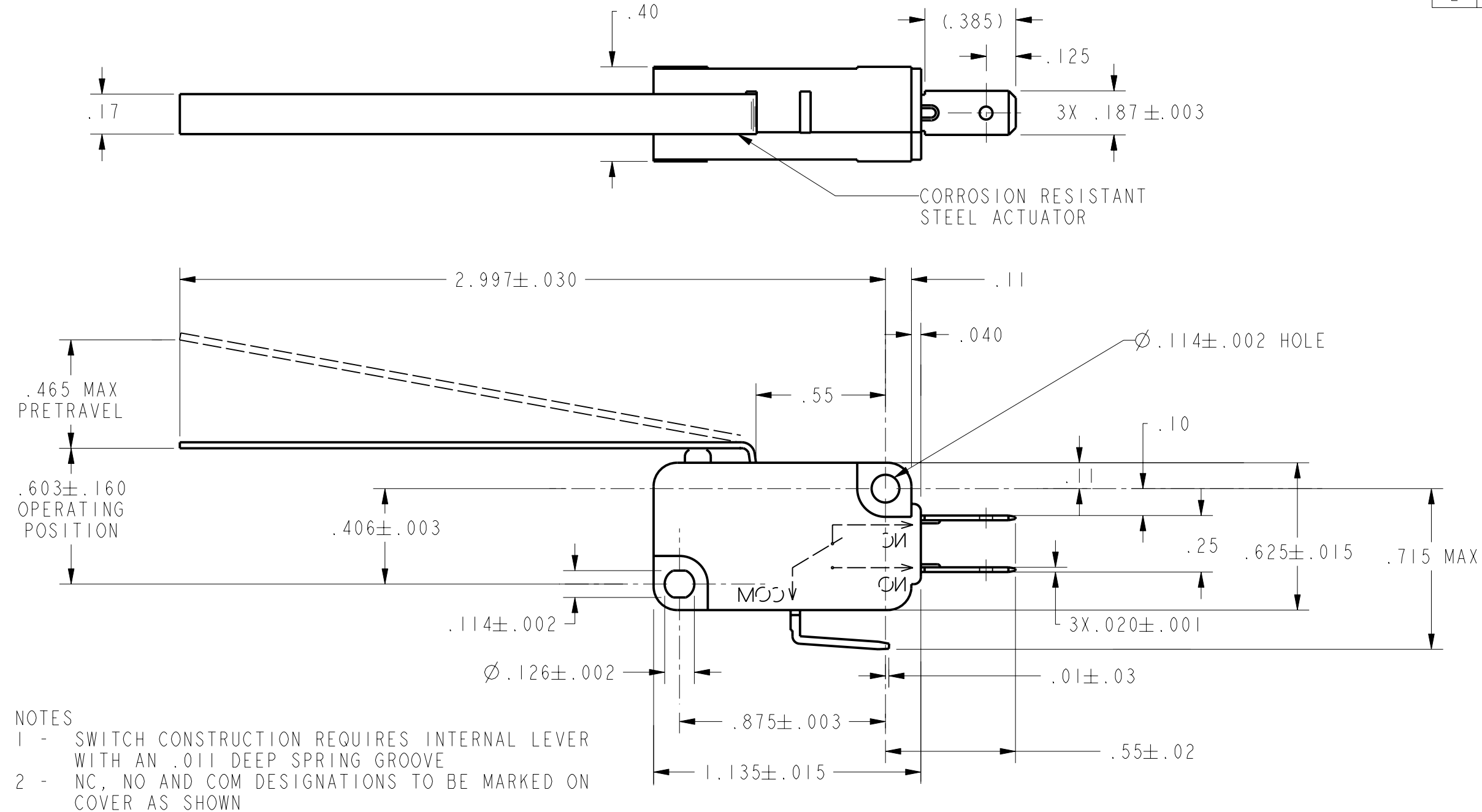


REV	DOCUMENT	CHANGED BY	CHECK
2	203016	GJW 15MAY01	SAV



NOTES
 1 - SWITCH CONSTRUCTION REQUIRES INTERNAL LEVER WITH AN .011 DEEP SPRING GROOVE
 2 - NC, NO AND COM DESIGNATIONS TO BE MARKED ON COVER AS SHOWN

CHARACTERISTICS		ELECTRICAL DATA		UNLESS OTHERWISE SPECIFIED TOLERANCES ARE:		DRAWN		GJW		15MAY01		Honeywell Sensing and Control			
OPERATING FORCE ——— 9 GRAMS MAX		CONTACT ARRANGEMENT S P D T		NO PLACE X ±.040 ±1 ONE PLACE .X ±.030 ±0,4 TWO PLACE .XX ±.015 ±0,15 THREE PLACE .XXX ±.005 ± ANGLES ± 3° ± RAW MATERIAL-COMMERCIAL STANDARD		CHECK		SAV		15MAY01					
RELEASE FORCE ——— 1 GRAMS MIN		L156 11A 1/3HP 125, 250 OR 277 VAC 1/2A 125 VDC, 1/4A 250 VDC 4A 125 VAC "L"		THIRD ANGLE PROJECTION		THIS DRAWING COVERS A PROPRIETARY ITEM AND IS THE PROPERTY OF HONEYWELL SENSING AND CONTROL. THIS DRAWING IS NOT TO BE COPIED OR USED WITHOUT THE PERMISSION OF HONEYWELL.						TITLE			
DIFFERENTIAL TRAVEL ——— .130 MAX				Ⓜ Ⓢ				DIMENSIONS ARE TO BE MET BEFORE PROTECTIVE COATINGS ARE APPLIED						SWITCH, BASIC	
OVERTRAVEL ——— .270 MIN				PTC 2D ASME Y14.5M-1994		SIZE DWG TYPE DRAWING NAME REV B I V7-2B17D8-165-1 2		SCALE NONE WEIGHT SHEET 1 OF 1							
RELEASE TRAVEL ——— .067 MIN															