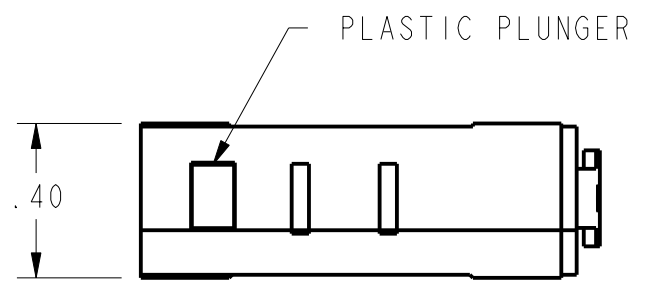
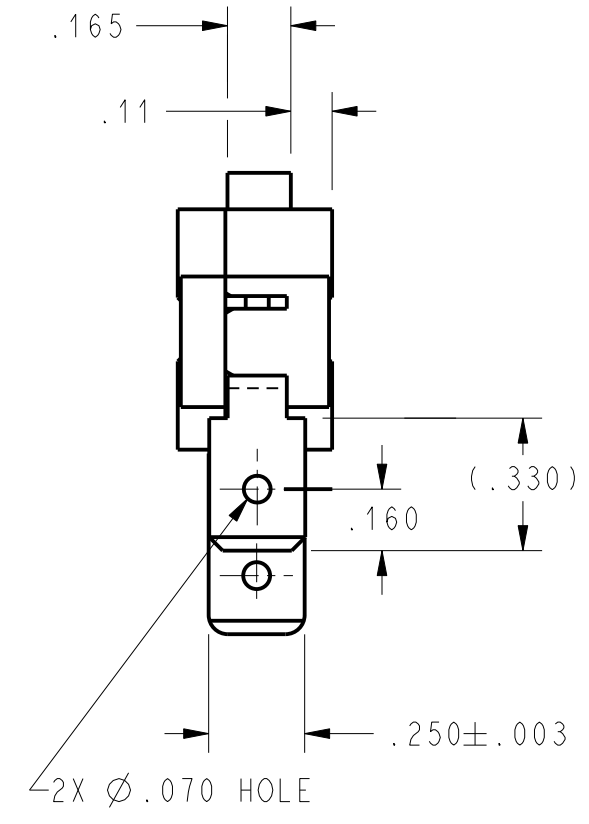
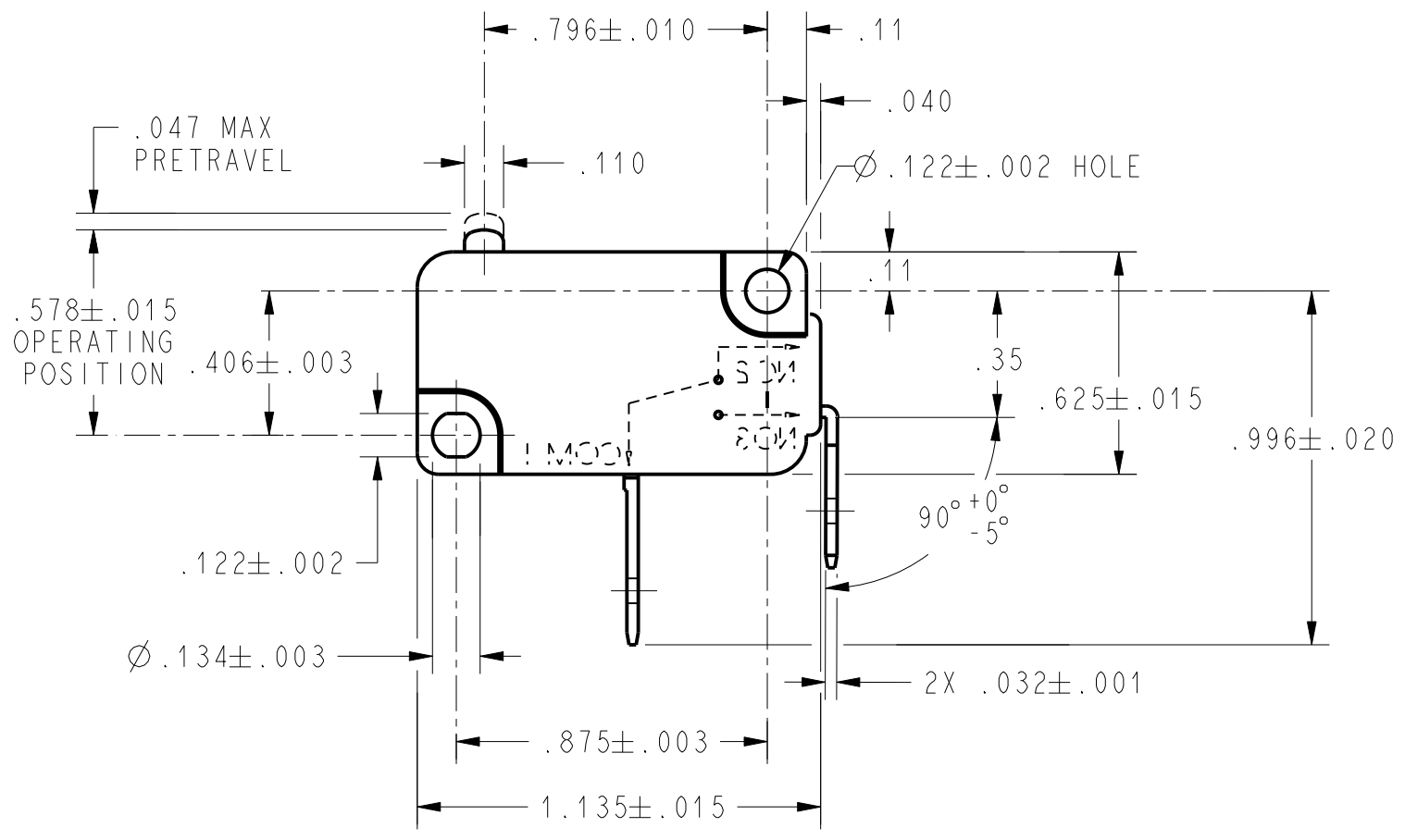


CW-B9729
 SUPERSEDES
X115337-V7




REV	DOCUMENT	CHANGED BY	CHECK
A	0002737	CSL 23DEC03	MDM

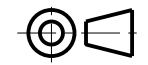


NOTE
 1 - MAXIMUM MECHANICAL DEAD BREAK OF .0025 MAY BE EXPECTED WITH THIS SWITCH CONSTRUCTION



CHARACTERISTICS	
OPERATING FORCE-----	225 GRAMS MAX
RELEASE FORCE-----	20 GRAMS MIN
DIFFERENTIAL TRAVEL-----	.010 MAX
OVERTRAVEL-----	.050 MIN
FREE POSITION-----	.625 MAX
RELEASE TRAVEL-----	.010 MIN

ELECTRICAL DATA	
CONTACT ARRANGEMENT S P N O	
25A, 277 VAC 1HP, 125 VAC 2HP, 250 VAC	
  	

UNLESS OTHERWISE SPECIFIED TOLERANCES ARE:			
	<input checked="" type="checkbox"/> US (inch) CUSTOMARY	<input type="checkbox"/> SI (mm) METRIC	
NO PLACE	X	±.040	±1
ONE PLACE	.X	±.030	±0,4
TWO PLACE	.XX	±.015	±0,15
THREE PLACE	.XXX	±.005	±
ANGLES		±	±
RAW MATERIAL-COMMERCIAL STANDARD			
THIRD ANGLE PROJECTION			
			

DRAWN	CSL	23DEC03
CHECK	MDM	23DEC03
THIS DRAWING COVERS A PROPRIETARY ITEM AND IS THE PROPERTY OF HONEYWELL. THIS DRAWING IS NOT TO BE COPIED OR USED WITHOUT THE PERMISSION OF HONEYWELL.		
DIMENSIONS ARE TO BE MET BEFORE PROTECTIVE COATINGS ARE APPLIED		
PTC 2D	ASME Y14.5M-1994	

Honeywell			
TITLE SWITCH, BASIC			
SIZE	DWG TYPE	DRAWING NAME	REV
B	I	V7-1Z20E94	A
SCALE 2 : 1		WEIGHT	SHEET 1 OF 1