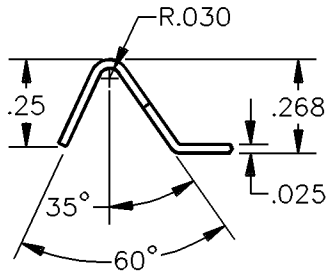
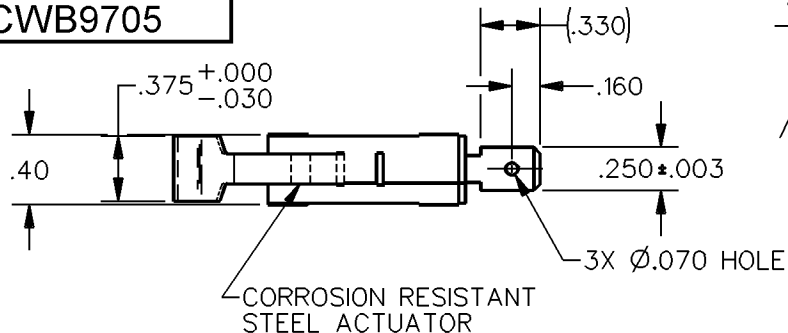


HONEYWELL
PART NUMBER
V7-1Z13E9-357
CWB9705

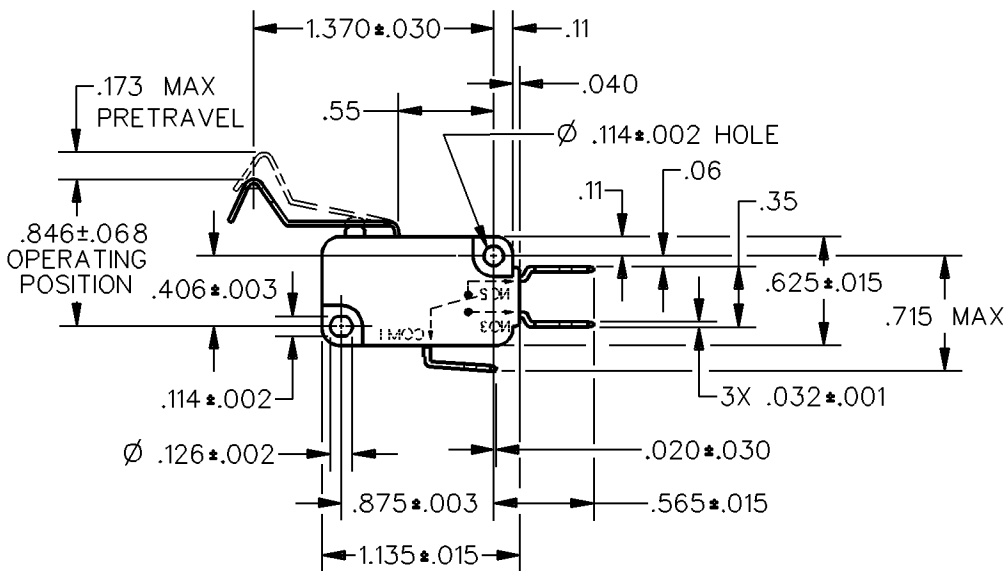
REV	DOCUMENT	CHANGED BY	CHECK
A	0007757	KR 03SEP04	AK



LEVER DETAIL
SCALE 2:1



CORROSION RESISTANT
STEEL ACTUATOR



- NOTES:
1. MAXIMUM MECHANICAL DEAD BREAK OF .0102 MAY BE EXPECTED WITH THIS SWITCH CONSTRUCTION.
2. SWITCH MATERIALS WILL WITHSTAND 150°C.

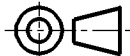
REPLACES: X115610-V7

CHARACTERISTICS	ELECTRICAL DATA
OPERATING FORCE — — — 82 GRAMS MAX	CONTACT ARRANGEMENT S P D T
RELEASE FORCE — — — 4 GRAMS MIN	25A, 277 VAC
DIFFERENTIAL TRAVEL — — — .040 MAX	1HP, 125 VAC
OVERTRAVEL — — — — — .094 MIN	2HP, 250 VAC
RELEASE TRAVEL — — — — — .024 MIN	

DESIGN UNITS: INCH
TOLERANCES UNLESS NOTED:

NO PLACE	X	±	0.040
ONE PLACE	.X	±	0.030
TWO PLACE	.XX	±	0.015
THREE PLACE	.XXX	±	0.005
FOUR PLACE	.XXXX	±	0.0005
ANGLES		±	2

THIRD ANGLE PROJECTION



DRAWN	KR	03SEP04
CHECK	AK	03SEP04

THIS DRAWING COVERS A PROPRIETARY ITEM AND IS THE PROPERTY OF HONEYWELL. THIS DRAWING IS NOT TO BE COPIED OR USED WITHOUT THE PERMISSION OF HONEYWELL.

INTERPRET PER ANSI Y14.5M-1982 OTHER HONEYWELL ENGINEERING STANDARDS MAY APPLY

RASTER

Honeywell

TITLE
SWITCH BASIC

SIZE	TYPE	DRAWING NAME	REV
A	I	V7-1Z13E9-357	A
SCALE	1:1	SHEET	1 OF 1