

CW-B0023

REV	DOCUMENT	CHANGED BY	CHECK
6	0012441	KSR 12APR05	AK

H

G

F

E

D

C

B

A

H

G

F

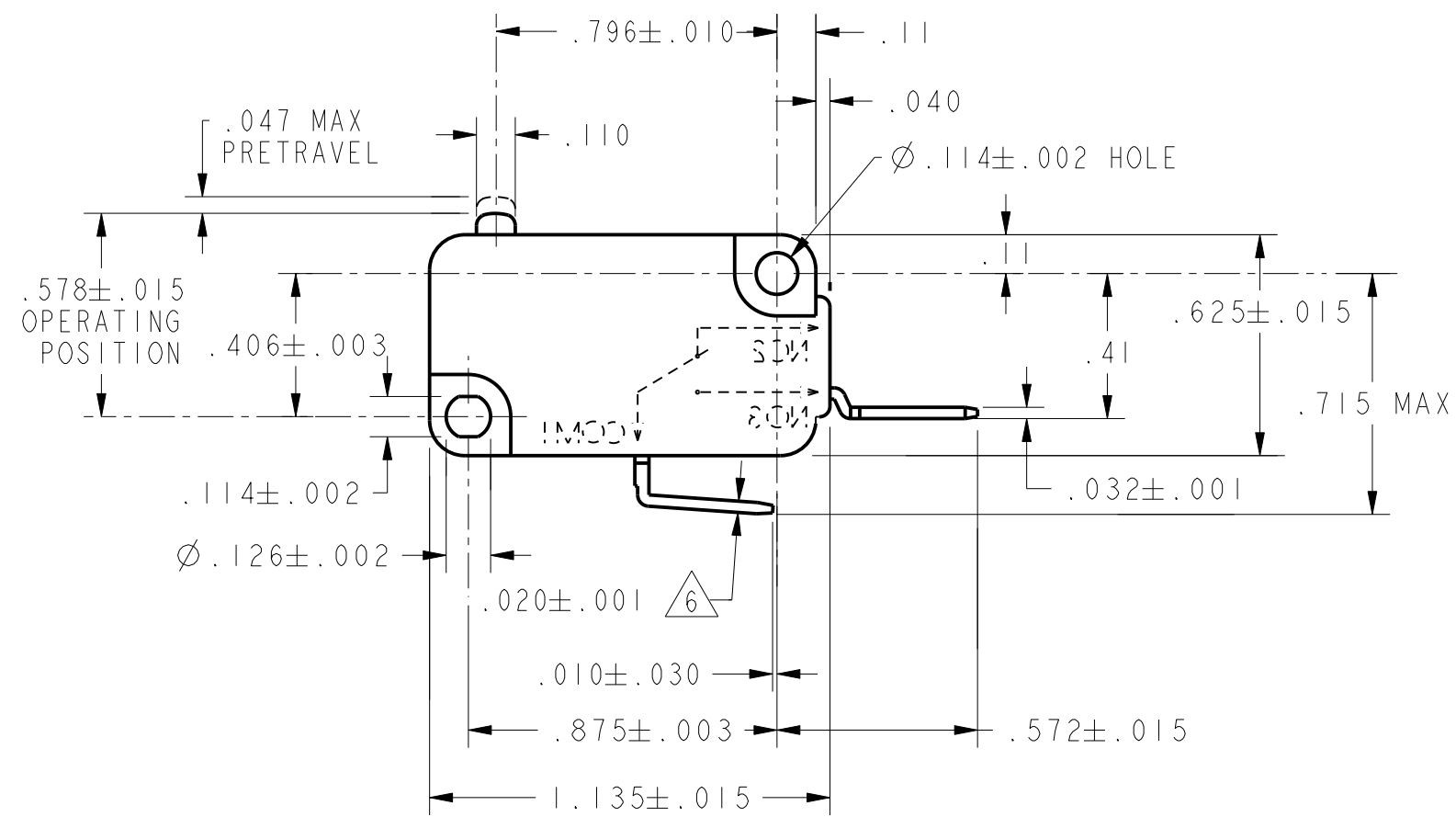
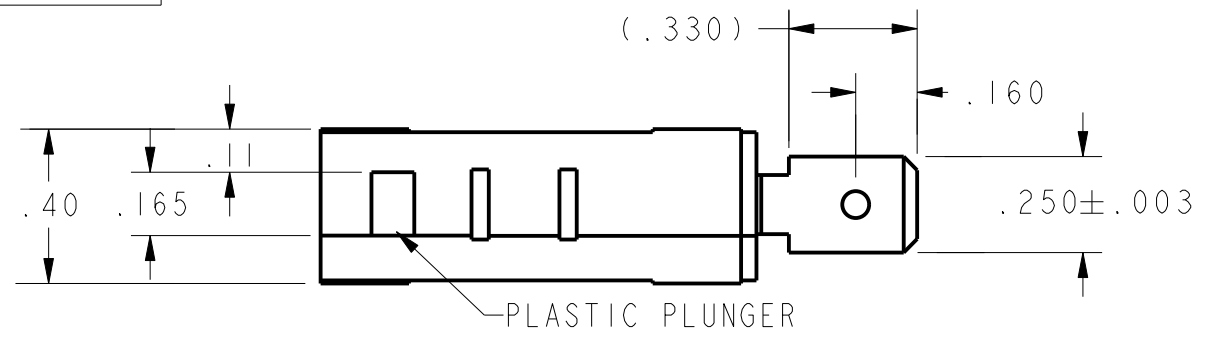
E

D

C

B

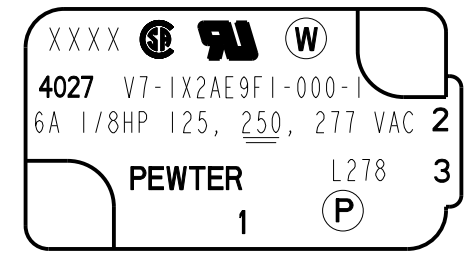
A



NOTES

- 1 - SILVER PLATED TERMINALS
- 2 - TESTED TO SHOW COMPLIANCE WITH UL 858 OVEN LATCH REQUIREMENTS UNDER THE FOLLOWING PARAMETERS: ELECTRICAL ENDURANCE FOR 100K OPERATIONS AT 200°C FOR 250 HOURS MINIMUM WHILE CONTROLLING AN INDUCTIVE LOAD OF 6A, 277VAC
- 3 - MARK SWITCH WITH CUSTOMER PART NUMBER "4027" AND COLOR CODE "PEWTER" ON SWITCH
- 4 - 1, 2 AND 3 TERMINATION IDENTIFICATION NUMBERS MARKED ON COVER
- 5 - RESTRICTED LISTING
- 6 COMMON TERMINAL IS .187 WIDE X .020 THICK (D8)

SWITCH MARKINGS PER DIAGRAM BELOW
 "XXXX" DENOTES 4 DIGIT DATE CODE
 INK BRAND COLOR: WHITE



CHARACTERISTICS	
OPERATING FORCE	----.115 GRAMS MAX
RELEASE FORCE	----- 15 GRAMS MIN
DIFFERENTIAL TRAVEL	-----.002-.010
OVERTRAVEL	----- .050 MIN
FREE POSITION	----- .625 MAX
RELEASE TRAVEL	----- .010 MIN

ELECTRICAL DATA	
CONTACT ARRANGEMENT S P N O	
L278 6A, 1/8HP 125, 250 OR 277 VAC	

UNLESS OTHERWISE SPECIFIED TOLERANCES ARE:			
	<input checked="" type="checkbox"/> US (inch) CUSTOMARY	<input type="checkbox"/> SI (mm) METRIC	
NO PLACE	X	±.040	±1
ONE PLACE	.X	±.030	±0,4
TWO PLACE	.XX	±.015	±0,15
THREE PLACE	.XXX	±.005	±
ANGLES		±	±
RAW MATERIAL-COMMERCIAL STANDARD			
THIRD ANGLE PROJECTION			

DRAWN	TSM	23JAN01
CHECK	SAV	23JAN01
THIS DRAWING COVERS A PROPRIETARY ITEM AND IS THE PROPERTY OF HONEYWELL. THIS DRAWING IS NOT TO BE COPIED OR USED WITHOUT THE PERMISSION OF HONEYWELL.		
DIMENSIONS ARE TO BE MET BEFORE PROTECTIVE COATINGS ARE APPLIED		
PTC 2D	ASME Y14.5M-1994	

Honeywell			
TITLE SWITCH, BASIC			
SIZE	DWG TYPE	DRAWING NAME	REV
B	I	V7-1X2AE9F1-000-1	6
SCALE	2:1	WEIGHT	SHEET 1 OF 1