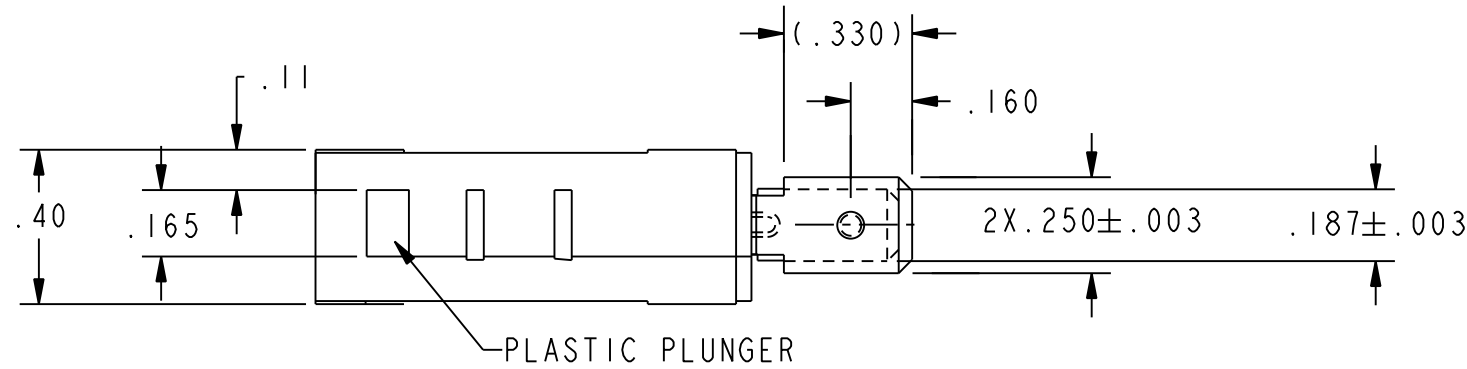
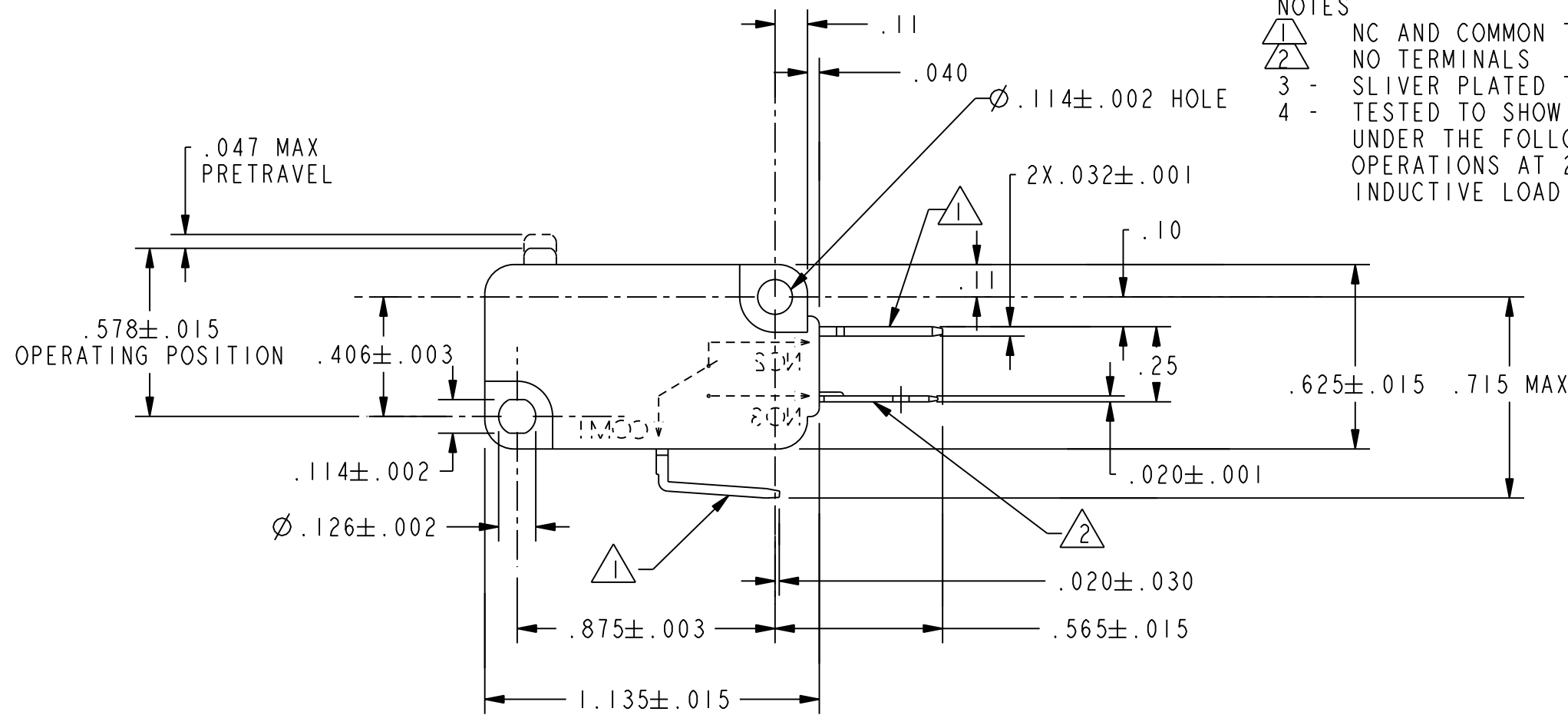


| REV | DOCUMENT | CHANGED BY | CHECK |
|-----|----------|------------|-------|
| 5 | 0013134 | NM 13MAY05 | AK |



- NOTES
- 1 - NC AND COMMON TERMINALS ARE D9 STYLE
 - 2 - NO TERMINALS IS D8 STYLE
 - 3 - SLIVER PLATED TERMINALS
 - 4 - TESTED TO SHOW COMPLIANCE WITH UL 858 OVEN LATCH REQUIREMENTS UNDER THE FOLLOWING PARAMETERS: ELECTRICAL ENDURANCE FOR 100K OPERATIONS AT 200°C FOR 250 HOURS MINIMUM WHILE CONTROLLING AN INDUCTIVE LOAD OF 6A, 277VAC



| CHARACTERISTICS | |
|--------------------------|--------------|
| OPERATING FORCE----- | 115 GRAM MAX |
| RELEASE FORCE ----- | 15 GRAM MIN |
| DIFFERENTIAL TRAVEL----- | .010 MAX |
| OVERTRAVEL----- | .050 MIN |
| RELEASE TRAVEL----- | .010 MIN |

| ELECTRICAL DATA | |
|---------------------------------------|--|
| CONTACT ARRANGEMENT S P D T | |
| L278 6A, 1/8HP 125, 250 OR 277 VAC | |
| | |

| UNLESS OTHERWISE SPECIFIED TOLERANCES ARE: | | | |
|--|---|---|-------|
| | <input checked="" type="checkbox"/> US (inch) CUSTOMARY | <input type="checkbox"/> SI (mm) METRIC | |
| NO PLACE | X | ±.040 | ±1 |
| ONE PLACE | .X | ±.030 | ±0,4 |
| TWO PLACE | .XX | ±.015 | ±0,15 |
| THREE PLACE | .XXX | ±.005 | ± |
| ANGLES | | ± | ± |
| RAW MATERIAL-COMMERCIAL STANDARD | | | |
| THIRD ANGLE PROJECTION | | | |
| | | | |

| | | |
|--|------------------|---------|
| DRAWN | GJW | 28FEB01 |
| CHECK | SAV | 28FEB01 |
| THIS DRAWING COVERS A PROPRIETARY ITEM AND IS THE PROPERTY OF HONEYWELL. THIS DRAWING IS NOT TO BE COPIED OR USED WITHOUT THE PERMISSION OF HONEYWELL. | | |
| DIMENSIONS ARE TO BE MET BEFORE PROTECTIVE COATINGS ARE APPLIED | | |
| PTC 2D | ASME Y14.5M-1994 | |

| | | | |
|-------------------------------|----------|--------------------|--------------|
| Honeywell | | | |
| TITLE SWITCH, BASIC | | | |
| SIZE | DWG TYPE | DRAWING NAME | REV |
| B | I | V7-1X1AD9C1 | 5 |
| SCALE | NONE | WEIGHT | SHEET 1 OF 1 |