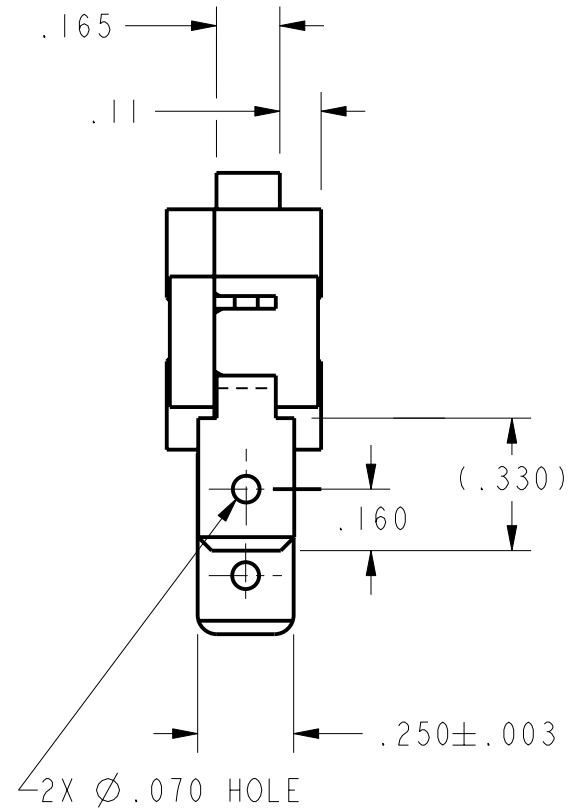
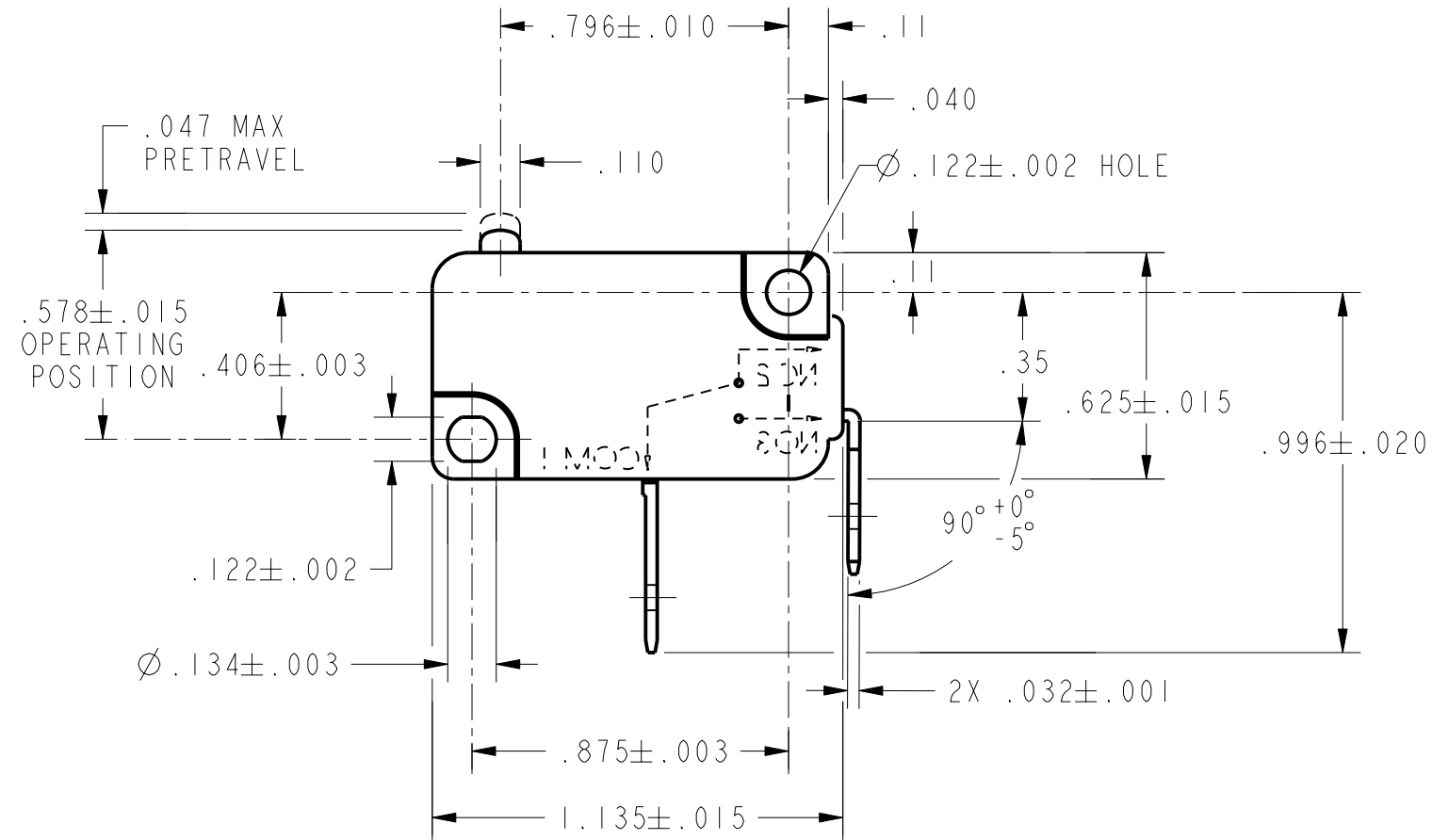
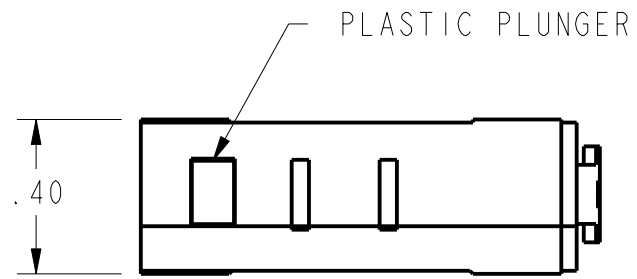


REV	DOCUMENT	CHANGED BY	CHECK
4	206280	CSL 28AUG02	SAV



CHARACTERISTICS	
OPERATING FORCE-----	160 GRAMS MAX
RELEASE FORCE-----	20 GRAMS MIN
DIFFERENTIAL TRAVEL-----	.002-.010
OVERTRAVEL-----	.050 MIN
FREE POSITION-----	.625 MAX
RELEASE TRAVEL-----	.010 MIN

ELECTRICAL DATA	
CONTACT ARRANGEMENT S P N O	
21A 1HP 125, 250, 277 VAC 2HP 250, 277 VAC	

UNLESS OTHERWISE SPECIFIED TOLERANCES ARE:			
	<input checked="" type="checkbox"/> US (inch) CUSTOMARY	<input type="checkbox"/> SI (mm) METRIC	
NO PLACE	X	±.040	±1
ONE PLACE	.X	±.030	±0,4
TWO PLACE	.XX	±.015	±0,15
THREE PLACE	.XXX	±.005	±
ANGLES		±	±
RAW MATERIAL-COMMERCIAL STANDARD			
THIRD ANGLE PROJECTION			

DRAWN	TSM	24JAN01
CHECK	SAV	24JAN01
THIS DRAWING COVERS A PROPRIETARY ITEM AND IS THE PROPERTY OF HONEYWELL. THIS DRAWING IS NOT TO BE COPIED OR USED WITHOUT THE PERMISSION OF HONEYWELL.		
DIMENSIONS ARE TO BE MET BEFORE PROTECTIVE COATINGS ARE APPLIED		
PTC 2D	ASME Y14.5M-1994	

<b>Honeywell</b>			
TITLE <b>SWITCH, BASIC</b>			
SIZE	DWG TYPE	DRAWING NAME	REV
<b>B</b>	<b>I</b>	<b>V7-1V20E94</b>	<b>4</b>
SCALE 2 : 1		WEIGHT	SHEET 1 OF 1